

INTERNATIONAL STANDARD

NORME INTERNATIONALE

**Protection against lightning –
Part 1: General principles**

**Protection contre la foudre –
Partie 1: Principes généraux**



THIS PUBLICATION IS COPYRIGHT PROTECTED

Copyright © 2010 IEC, Geneva, Switzerland

All rights reserved. Unless otherwise specified, no part of this publication may be reproduced or utilized in any form or by any means, electronic or mechanical, including photocopying and microfilm, without permission in writing from either IEC or IEC's member National Committee in the country of the requester.

If you have any questions about IEC copyright or have an enquiry about obtaining additional rights to this publication, please contact the address below or your local IEC member National Committee for further information.

Droits de reproduction réservés. Sauf indication contraire, aucune partie de cette publication ne peut être reproduite ni utilisée sous quelque forme que ce soit et par aucun procédé, électronique ou mécanique, y compris la photocopie et les microfilms, sans l'accord écrit de la CEI ou du Comité national de la CEI du pays du demandeur.

Si vous avez des questions sur le copyright de la CEI ou si vous désirez obtenir des droits supplémentaires sur cette publication, utilisez les coordonnées ci-après ou contactez le Comité national de la CEI de votre pays de résidence.

IEC Central Office
3, rue de Varembe
CH-1211 Geneva 20
Switzerland

Tel.: +41 22 919 02 11
Fax: +41 22 919 03 00
info@iec.ch
www.iec.ch

About the IEC

The International Electrotechnical Commission (IEC) is the leading global organization that prepares and publishes International Standards for all electrical, electronic and related technologies.

About IEC publications

The technical content of IEC publications is kept under constant review by the IEC. Please make sure that you have the latest edition, a corrigenda or an amendment might have been published.

Useful links:

IEC publications search - www.iec.ch/searchpub

The advanced search enables you to find IEC publications by a variety of criteria (reference number, text, technical committee,...).

It also gives information on projects, replaced and withdrawn publications.

IEC Just Published - webstore.iec.ch/justpublished

Stay up to date on all new IEC publications. Just Published details all new publications released. Available on-line and also once a month by email.

Electropedia - www.electropedia.org

The world's leading online dictionary of electronic and electrical terms containing more than 30 000 terms and definitions in English and French, with equivalent terms in additional languages. Also known as the International Electrotechnical Vocabulary (IEV) on-line.

Customer Service Centre - webstore.iec.ch/csc

If you wish to give us your feedback on this publication or need further assistance, please contact the Customer Service Centre: csc@iec.ch.

A propos de la CEI

La Commission Electrotechnique Internationale (CEI) est la première organisation mondiale qui élabore et publie des Normes internationales pour tout ce qui a trait à l'électricité, à l'électronique et aux technologies apparentées.

A propos des publications CEI

Le contenu technique des publications de la CEI est constamment revu. Veuillez vous assurer que vous possédez l'édition la plus récente, un corrigendum ou amendement peut avoir été publié.

Liens utiles:

Recherche de publications CEI - www.iec.ch/searchpub

La recherche avancée vous permet de trouver des publications CEI en utilisant différents critères (numéro de référence, texte, comité d'études,...).

Elle donne aussi des informations sur les projets et les publications remplacées ou retirées.

Just Published CEI - webstore.iec.ch/justpublished

Restez informé sur les nouvelles publications de la CEI. Just Published détaille les nouvelles publications parues. Disponible en ligne et aussi une fois par mois par email.

Electropedia - www.electropedia.org

Le premier dictionnaire en ligne au monde de termes électroniques et électriques. Il contient plus de 30 000 termes et définitions en anglais et en français, ainsi que les termes équivalents dans les langues additionnelles. Egalement appelé Vocabulaire Electrotechnique International (VEI) en ligne.

Service Clients - webstore.iec.ch/csc

Si vous désirez nous donner des commentaires sur cette publication ou si vous avez des questions contactez-nous: csc@iec.ch.



IEC 62305-1

Edition 2.0 2010-12

INTERNATIONAL STANDARD

NORME INTERNATIONALE

**Protection against lightning –
Part 1: General principles**

**Protection contre la foudre –
Partie 1: Principes généraux**

INTERNATIONAL
ELECTROTECHNICAL
COMMISSION

COMMISSION
ELECTROTECHNIQUE
INTERNATIONALE

PRICE CODE **XB**
CODE PRIX

ICS 29.020; 91.120.40

ISBN 978-2-83220-604-1

**Warning! Make sure that you obtained this publication from an authorized distributor.
Attention! Veuillez vous assurer que vous avez obtenu cette publication via un distributeur agréé.**

CONTENTS

FOREWORD.....	5
INTRODUCTION.....	7
1 Scope.....	8
2 Normative references.....	8
3 Terms and definitions	8
4 Lightning current parameters	14
5 Damage due to lightning	14
5.1 Damage to a structure	14
5.1.1 Effects of lightning on a structure	14
5.1.2 Sources and types of damage to a structure.....	16
5.2 Types of loss	16
6 Need and economic justification for lightning protection.....	18
6.1 Need for lightning protection	18
6.2 Economic justification of lightning protection	19
7 Protection measures	19
7.1 General	19
7.2 Protection measures to reduce injury of living beings by electric shock.....	19
7.3 Protection measures to reduce physical damage.....	20
7.4 Protection measures to reduce failure of electrical and electronic systems	20
7.5 Protection measures selection	20
8 Basic criteria for protection of structures	21
8.1 General	21
8.2 Lightning protection levels (LPL).....	21
8.3 Lightning protection zones (LPZ).....	23
8.4 Protection of structures.....	25
8.4.1 Protection to reduce physical damage and life hazard	25
8.4.2 Protection to reduce the failure of internal systems.....	26
Annex A (informative) Parameters of lightning current	27
Annex B (informative) Time functions of the lightning current for analysis purposes	38
Annex C (informative) Simulation of the lightning current for test purposes	44
Annex D (informative) Test parameters simulating the effects of lightning on LPS components	48
Annex E (informative) Surges due to lightning at different installation points	62
Bibliography	67
Figure 1 – Connection between the various parts of IEC 62305.....	7
Figure 2 – Types of loss and corresponding risks resulting from different types of damage.....	18
Figure 3 – LPZ defined by an LPS (IEC 62305-3).....	24
Figure 4 – LPZ defined by an SPM (IEC 62305-4).....	25
Figure A.1 – Definitions of impulse current parameters (typically $T_2 < 2$ ms).....	27
Figure A.2 – Definitions of long duration stroke parameters (typically 2 ms $< T_{LONG} < 1$ s).....	28
Figure A.3 – Possible components of downward flashes (typical in flat territory and to lower structures)	28

Figure A.4 – Possible components of upward flashes (typical to exposed and/or higher structures)	29
Figure A.5 – Cumulative frequency distribution of lightning current parameters (lines through 95 % and 5 % value).....	34
Figure B.1 – Shape of the current rise of the first positive impulse	39
Figure B.2 – Shape of the current tail of the first positive impulse	40
Figure B.3 – Shape of the current rise of the first negative impulse	40
Figure B.4 – Shape of the current tail of the first negative impulse	41
Figure B.5 – Shape of the current rise of the subsequent negative impulses	42
Figure B.6 – Shape of the current tail of the subsequent negative impulses	42
Figure B.7 – Amplitude density of the lightning current according to LPL I	43
Figure C.1 – Example test generator for the simulation of the specific energy of the first positive impulse and the charge of the long stroke	45
Figure C.2 – Definition of the current steepness in accordance with Table C.3	46
Figure C.3 – Example test generator for the simulation of the front steepness of the first positive impulse for large test items	47
Figure C.4 – Example test generator for the simulation of the front steepness of the subsequent negative impulses for large test items	47
Figure D.1 – General arrangement of two conductors for the calculation of electrodynamic force	54
Figure D.2 – Typical conductor arrangement in an LPS.....	55
Figure D.3 – Diagram of the stresses F for the configuration of Figure D.2.....	55
Figure D.4 – Force per unit length F' along the horizontal conductor of Figure D.2	55
Table 1 – Effects of lightning on typical structures	15
Table 2 – Damage and loss relevant to a structure according to different points of strike of lightning	17
Table 3 – Maximum values of lightning parameters according to LPL.....	22
Table 4 – Minimum values of lightning parameters and related rolling sphere radius corresponding to LPL	22
Table 5 – Probabilities for the limits of the lightning current parameters	23
Table A.1 – Tabulated values of lightning current parameters taken from CIGRE (Electra No. 41 or No. 69) [3], [4].....	31
Table A.2 – Logarithmic normal distribution of lightning current parameters – Mean μ and dispersion σ_{\log} calculated from 95 % and 5 % values from CIGRE (Electra No. 41 or No. 69) [3], [4].....	32
Table A.3 – Values of probability P as function of the lightning current I	33
Table B.1 – Parameters for Equation (B.1)	38
Table C.1 – Test parameters of the first positive impulse	45
Table C.2 – Test parameters of the long stroke	45
Table C.3 – Test parameters of the impulses.....	46
Table D.1 – Summary of the lightning threat parameters to be considered in the calculation of the test values for the different LPS components and for the different LPL.....	49
Table D.2 – Physical characteristics of typical materials used in LPS components	52
Table D.3 – Temperature rise for conductors of different sections as a function of W/R	52
Table E.1 – Conventional earthing impedance values Z and Z_1 according to the resistivity of the soil.....	63

Table E.2 – Expected surge overcurrents due to lightning flashes on low-voltage systems 64

Table E.3 – Expected surge overcurrents due to lightning flashes on telecommunication systems 65

INTERNATIONAL ELECTROTECHNICAL COMMISSION

PROTECTION AGAINST LIGHTNING –**Part 1: General principles**

FOREWORD

- 1) The International Electrotechnical Commission (IEC) is a worldwide organization for standardization comprising all national electrotechnical committees (IEC National Committees). The object of IEC is to promote international co-operation on all questions concerning standardization in the electrical and electronic fields. To this end and in addition to other activities, IEC publishes International Standards, Technical Specifications, Technical Reports, Publicly Available Specifications (PAS) and Guides (hereafter referred to as "IEC Publication(s)"). Their preparation is entrusted to technical committees; any IEC National Committee interested in the subject dealt with may participate in this preparatory work. International, governmental and non-governmental organizations liaising with the IEC also participate in this preparation. IEC collaborates closely with the International Organization for Standardization (ISO) in accordance with conditions determined by agreement between the two organizations.
- 2) The formal decisions or agreements of IEC on technical matters express, as nearly as possible, an international consensus of opinion on the relevant subjects since each technical committee has representation from all interested IEC National Committees.
- 3) IEC Publications have the form of recommendations for international use and are accepted by IEC National Committees in that sense. While all reasonable efforts are made to ensure that the technical content of IEC Publications is accurate, IEC cannot be held responsible for the way in which they are used or for any misinterpretation by any end user.
- 4) In order to promote international uniformity, IEC National Committees undertake to apply IEC Publications transparently to the maximum extent possible in their national and regional publications. Any divergence between any IEC Publication and the corresponding national or regional publication shall be clearly indicated in the latter.
- 5) IEC itself does not provide any attestation of conformity. Independent certification bodies provide conformity assessment services and, in some areas, access to IEC marks of conformity. IEC is not responsible for any services carried out by independent certification bodies.
- 6) All users should ensure that they have the latest edition of this publication.
- 7) No liability shall attach to IEC or its directors, employees, servants or agents including individual experts and members of its technical committees and IEC National Committees for any personal injury, property damage or other damage of any nature whatsoever, whether direct or indirect, or for costs (including legal fees) and expenses arising out of the publication, use of, or reliance upon, this IEC Publication or any other IEC Publications.
- 8) Attention is drawn to the Normative references cited in this publication. Use of the referenced publications is indispensable for the correct application of this publication.
- 9) Attention is drawn to the possibility that some of the elements of this IEC Publication may be the subject of patent rights. IEC shall not be held responsible for identifying any or all such patent rights.

International Standard IEC 62305-1 has been prepared by IEC technical committee 81: Lightning protection.

This second edition cancels and replaces the first edition, published in 2006, and constitutes a technical revision.

This edition includes the following significant technical changes with respect to the previous edition:

- 1) It no longer covers protection of services connected to structures.
- 2) Isolated interfaces are introduced as protection measures to reduce failure of electric and electronic systems.
- 3) First negative impulse current is introduced as a new lightning parameter for calculation purposes.
- 4) Expected surge overcurrents due to lightning flashes have been more accurately specified for low voltage power systems and for telecommunication systems.

This bilingual version (2013-01) corresponds to the monolingual English version, published in 2010-12.

The text of this standard is based on the following documents:

FDIS	Report on voting
81/370/FDIS	81/380/RVD

Full information on the voting for the approval of this standard can be found in the report on voting indicated in the above table.

The French version of this standard has not been voted upon.

This publication has been drafted in accordance with the ISO/IEC Directives, Part 2.

A list of all the parts in the IEC 62305 series, under the general title *Protection against lightning*, can be found on the IEC website.

The committee has decided that the contents of this publication will remain unchanged until the stability date indicated on the IEC web site under "<http://webstore.iec.ch>" in the data related to the specific publication. At this date, the publication will be

- reconfirmed,
- withdrawn,
- replaced by a revised edition, or
- amended.

INTRODUCTION

There are no devices or methods capable of modifying the natural weather phenomena to the extent that they can prevent lightning discharges. Lightning flashes to, or nearby, structures (or lines connected to the structures) are hazardous to people, to the structures themselves, their contents and installations as well as to lines. This is why the application of lightning protection measures is essential.

The need for protection, the economic benefits of installing protection measures and the selection of adequate protection measures should be determined in terms of risk management. Risk management is the subject of IEC 62305-2.

Protection measures considered in IEC 62305 are proved to be effective in risk reduction.

All measures for protection against lightning form the overall lightning protection. For practical reasons the criteria for design, installation and maintenance of lightning protection measures are considered in two separate groups:

- the first group concerning protection measures to reduce physical damage and life hazard in a structure is given in IEC 62305-3;
- the second group concerning protection measures to reduce failures of electrical and electronic systems in a structure is given in IEC 62305-4.

The connection between the parts of IEC 62305 is illustrated in Figure 1.

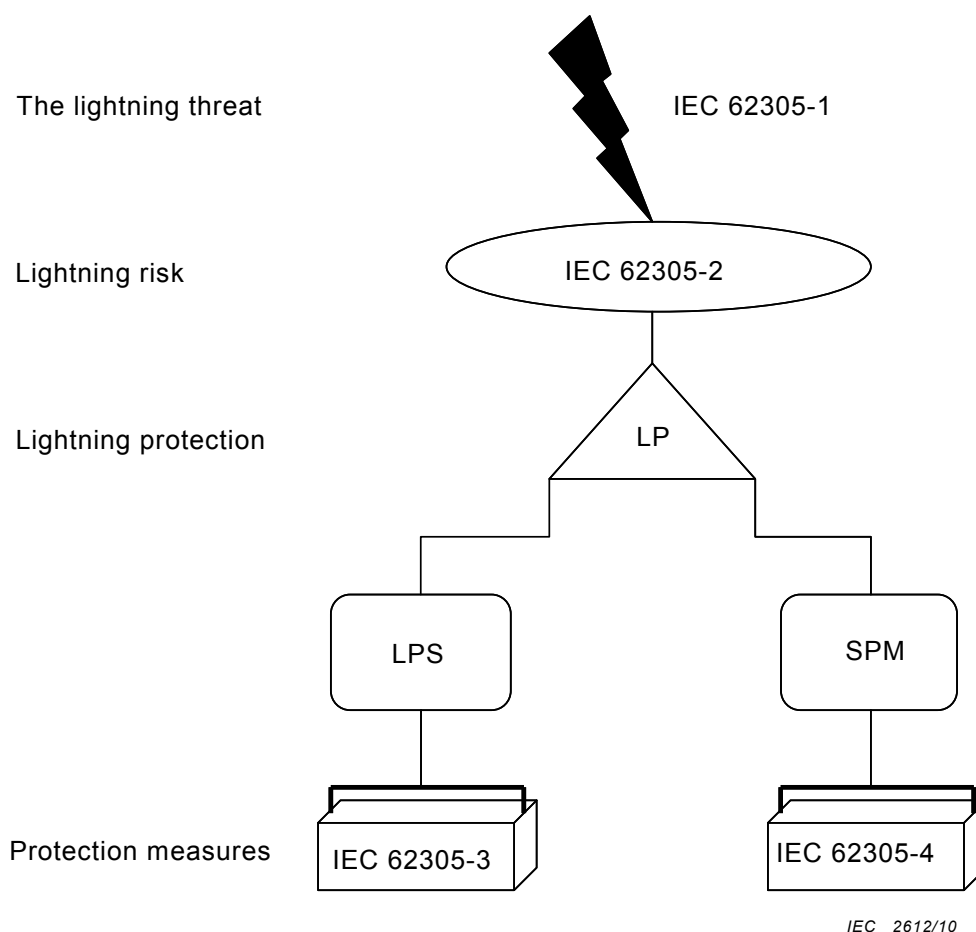


Figure 1 – Connection between the various parts of IEC 62305

PROTECTION AGAINST LIGHTNING –

Part 1: General principles

1 Scope

This part of IEC 62305 provides general principles to be followed for protection of structures against lightning, including their installations and contents, as well as persons.

The following cases are outside the scope of this standard:

- railway systems;
- vehicles, ships, aircraft, offshore installations;
- underground high pressure pipelines;
- pipe, power and telecommunication lines placed outside the structure.

NOTE These systems usually fall under special regulations produced by various specialized authorities.

2 Normative references

The following referenced documents are indispensable for the application of this document. For dated references, only the edition cited applies. For undated references, the latest edition of the referenced document (including any amendments) applies.

IEC 62305-2:2010, *Protection against lightning – Part 2: Risk management*

IEC 62305-3:2010, *Protection against lightning – Part 3: Physical damage to structures and life hazard*

IEC 62305-4:2010, *Protection against lightning – Part 4: Electrical and electronic systems within structures*

3 Terms and definitions

For the purposes of this document, the following terms and definitions apply.

3.1

lightning flash to earth

electrical discharge of atmospheric origin between cloud and earth consisting of one or more strokes

3.2

downward flash

lightning flash initiated by a downward leader from cloud to earth

NOTE A downward flash consists of a first impulse, which can be followed by subsequent impulses. One or more impulses may be followed by a long stroke.

3.3

upward flash

lightning flash initiated by an upward leader from an earthed structure to cloud

NOTE An upward flash consists of a first long stroke with or without multiple superimposed impulses. One or more impulses may be followed by a long stroke.

3.4

lightning stroke

single electrical discharge in a lightning flash to earth

3.5

short stroke

part of the lightning flash which corresponds to an impulse current

NOTE This current has a time T_2 to the half peak value on the tail typically less than 2 ms (see Figure A.1).

3.6

long stroke

part of the lightning flash which corresponds to a continuing current

NOTE The duration time T_{LONG} (time from the 10 % value on the front to the 10 % value on the tail) of this continuing current is typically more than 2 ms and less than 1 s (see Figure A.2).

3.7

multiple strokes

lightning flash consisting on average of 3-4 strokes, with typical time interval between them of about 50 ms

NOTE Events having up to a few dozen strokes with intervals between them ranging from 10 ms to 250 ms have been reported.

3.8

point of strike

point where a lightning flash strikes the earth, or protruding structure (e.g. structure, LPS, line, tree, etc.)

NOTE A lightning flash may have more than one point of strike.

3.9

lightning current

i

current flowing at the point of strike

3.10

current peak value

I

maximum value of the lightning current

3.11

average steepness of the front of impulse current

average rate of change of current within a time interval $\Delta t = t_2 - t_1$

NOTE It is expressed by the difference $\Delta i = i(t_2) - i(t_1)$ of the values of the current at the start and at the end of this interval, divided by the time interval $\Delta t = t_2 - t_1$ (see Figure A.1).

3.12

front time of impulse current

T_1

virtual parameter defined as 1,25 times the time interval between the instants when the 10 % and 90 % of the peak value are reached (see Figure A.1)

3.13
virtual origin of impulse current

O_1

point of intersection with time axis of a straight line drawn through the 10 % and the 90 % reference points on the stroke current front (see Figure A.1); it precedes by 0,1 T_1 that instant at which the current attains 10 % of its peak value

3.14
time to half value on the tail of impulse current

T_2

virtual parameter defined as the time interval between the virtual origin O_1 and the instant at which the current has decreased to half the peak value on the tail (see Figure A.1)

3.15
flash duration

T

time for which the lightning current flows at the point of strike

3.16
duration of long stroke current

T_{LONG}

time duration during which the current in a long stroke is between 10 % of the peak value during the increase of the continuing current and 10 % of the peak value during the decrease of the continuing current (see Figure A.2)

3.17
flash charge

Q_{FLASH}

value resulting from the time integral of the lightning current for the entire lightning flash duration

3.18
impulse charge

Q_{SHORT}

value resulting from the time integral of the lightning current in an impulse

3.19
long stroke charge

Q_{LONG}

value resulting from the time integral of the lightning current in a long stroke

3.20
specific energy

W/R

value resulting from the time integral of the square of the lightning current for the entire flash duration

NOTE It represents the energy dissipated by the lightning current in a unit resistance.

3.21
specific energy of impulse current

value resulting from the time integral of the square of the lightning current for the duration of the impulse

NOTE The specific energy in a long stroke current is negligible.

**3.22
structure to be protected**

structure for which protection is required against the effects of lightning in accordance with this standard

NOTE A structure to be protected may be part of a larger structure.

**3.23
line**

power line or telecommunication line connected to the structure to be protected

**3.24
telecommunication lines**

lines intended for communication between equipment that may be located in separate structures, such as a phone line and a data line

**3.25
power lines**

distribution lines feeding electrical energy into a structure to power electrical and electronic equipment located there, such as low voltage (LV) or high voltage (HV) electric mains

**3.26
lightning flash to a structure**

lightning flash striking a structure to be protected

**3.27
lightning flash near a structure**

lightning flash striking close enough to a structure to be protected that it may cause dangerous overvoltages

**3.28
electrical system**

system incorporating low voltage power supply components

**3.29
electronic system**

system incorporating sensitive electronic components such as telecommunication equipment, computer, control and instrumentation systems, radio systems, power electronic installations

**3.30
internal systems**

electrical and electronic systems within a structure

**3.31
physical damage**

damage to a structure (or to its contents) due to mechanical, thermal, chemical and explosive effects of lightning

**3.32
injury of living beings**

permanent injuries, including loss of life, to people or to animals by electric shock due to touch and step voltages caused by lightning

NOTE Although living beings may be injured in other ways, in this standard the term 'injury to living beings' is limited to the threat due to electrical shock (type of damage D1).

3.33

failure of electrical and electronic systems

permanent damage of electrical and electronic systems due to LEMP

3.34

lightning electromagnetic impulse

LEMP

all electromagnetic effects of lightning current via resistive, inductive and capacitive coupling that create surges and radiated electromagnetic fields

3.35

surge

transient created by LEMP that appears as an overvoltage and/or an overcurrent

3.36

lightning protection zone

LPZ

zone where the lightning electromagnetic environment is defined

NOTE The zone boundaries of an LPZ are not necessarily physical boundaries (e.g. walls, floor and ceiling).

3.37

risk

R

value of probable average annual loss (humans or goods) due to lightning, relative to the total value (humans or goods) of the structure to be protected

3.38

tolerable risk

R_T

maximum value of the risk which can be tolerated for the structure to be protected

3.39

lightning protection level

LPL

number related to a set of lightning current parameters values relevant to the probability that the associated maximum and minimum design values will not be exceeded in naturally occurring lightning

NOTE Lightning protection level is used to design protection measures according to the relevant set of lightning current parameters.

3.40

protection measures

measures to be adopted for the structure to be protected in order to reduce the risk

3.41

lightning protection

LP

complete system for protection of structures against lightning, including their internal systems and contents, as well as persons, in general consisting of an LPS and SPM

3.42

lightning protection system

LPS

complete system used to reduce physical damage due to lightning flashes to a structure

NOTE It consists of both external and internal lightning protection systems.

3.43**external lightning protection system**

part of the LPS consisting of an air-termination system, a down-conductor system and an earth-termination system

3.44**internal lightning protection system**

part of the LPS consisting of lightning equipotential bonding and/or electrical insulation of external LPS

3.45**air-termination system**

part of an external LPS using metallic elements such as rods, mesh conductors or catenary wires intended to intercept lightning flashes

3.46**down-conductor system**

part of an external LPS intended to conduct lightning current from the air-termination system to the earth-termination system

3.47**earth-termination system**

part of an external LPS which is intended to conduct and disperse lightning current into the earth

3.48**external conductive parts**

extended metal items entering or leaving the structure to be protected such as pipe works, cable metallic elements, metal ducts, etc. which may carry a part of the lightning current

3.49**lightning equipotential bonding**

EB

bonding to LPS of separated metallic parts, by direct conductive connections or via surge protective devices, to reduce potential differences caused by lightning current

3.50**conventional earthing impedance**

ratio of the peak values of the earth-termination voltage and the earth-termination current which, in general, do not occur simultaneously

3.51**LEMP protection measures**

SPM

measures taken to protect internal systems against the effects of LEMP

NOTE This is part of overall lightning protection.

3.52**magnetic shield**

closed, metallic, grid-like or continuous screen enveloping the structure to be protected, or part of it, used to reduce failures of electrical and electronic systems

3.53**surge protective device**

SPD

device intended to limit transient overvoltages and divert surge currents; contains at least one non linear component

3.54**coordinated SPD system**

SPDs properly selected, coordinated and installed to form a system intended to reduce failures of electrical and electronic systems

3.55**rated impulse withstand voltage**
 U_W

impulse withstand voltage assigned by the manufacturer to the equipment or to a part of it, characterizing the specified withstand capability of its insulation against overvoltages

NOTE For the purposes of this standard, only withstand voltage between live conductors and earth is considered.

[IEC 60664-1:2007, definition 3.9.2]^[1] 1

3.56**isolating interfaces**

devices which are capable of reducing conducted surges on lines entering the LPZ

NOTE 1 These include isolation transformers with earthed screen between windings, metal free fibre optic cables and opto-isolators.

NOTE 2 Insulation withstand characteristics of these devices are suitable for this application intrinsically or via SPD.

4 Lightning current parameters

The lightning current parameters used in the IEC 62305 series are given in Annex A.

The time function of the lightning current to be used for analysis purposes is given in Annex B.

Information for simulation of lightning current for test purposes is given in Annex C.

The basic parameters to be used in laboratories to simulate the effects of lightning on LPS components are given in Annex D.

Information on surges due to lightning at different installation points is given in Annex E.

5 Damage due to lightning**5.1 Damage to a structure**

Lightning affecting a structure can cause damage to the structure itself and to its occupants and contents, including failure of internal systems. The damages and failures may also extend to the surroundings of the structure and even involve the local environment. The scale of this extension depends on the characteristics of the structure and on the characteristics of the lightning flash.

5.1.1 Effects of lightning on a structure

The main characteristics of structures relevant to lightning effects include:

- construction (e.g. wood, brick, concrete, reinforced concrete, steel frame construction);
- function (dwelling house, office, farm, theatre, hotel, school, hospital, museum, church, prison, department store, bank, factory, industry plant, sports area);

¹ References in square brackets refer to the bibliography.

- occupants and contents (persons and animals, presence of combustible or non-combustible materials, explosive or non-explosive materials, electrical and electronic systems with low or high withstand voltage);
- connected lines (power lines, telecommunication lines, pipelines);
- existing or provided protection measures (protection measures to reduce physical damage and life hazard, protection measures to reduce failure of internal systems);
- scale of the extension of danger (structure with difficulty of evacuation or structure where panic may be created, structure dangerous to the surroundings, structure dangerous to the environment).

Table 1 reports the effects of lightning on various types of structures.

Table 1 – Effects of lightning on typical structures

Type of structure according to function and/or contents	Effects of lightning
Dwelling-house	Puncture of electrical installations, fire and material damage Damage normally limited to structures exposed to the point of strike or to the lightning current path Failure of electrical and electronic equipment and systems installed (e.g. TV sets, computers, modems, telephones, etc.)
Farm building	Primary risk of fire and hazardous step voltages as well as material damage Secondary risk due to loss of electric power, and life hazard to livestock due to failure of electronic control of ventilation and food supply systems, etc.
Theatre Hotel School Department store Sports area	Damage to the electrical installations (e.g. electric lighting) likely to cause panic Failure of fire alarms resulting in delayed fire fighting measures
Bank Insurance company Commercial company, etc.	As above, plus problems resulting from loss of communication, failure of computers and loss of data
Hospital Nursing home Prison	As above, plus problems of people in intensive care, and the difficulties of rescuing immobile people
Industry	Additional effects depending on the contents of factories, ranging from minor to unacceptable damage and loss of production
Museums and archaeological site Church	Loss of irreplaceable cultural heritage
Telecommunication Power plants	Unacceptable loss of services to the public
Firework factory Munitions works	Consequences of fire and explosion to the plant and its surroundings
Chemical plant Refinery Nuclear plant Biochemical laboratories and plants	Fire and malfunction of the plant with detrimental consequences to the local and global environment

5.1.2 Sources and types of damage to a structure

The lightning current is the source of damage. The following situations shall be taken into account, depending on the position of the point of strike relative to the structure considered:

- a) S1: flashes to the structure;
- b) S2: flashes near the structure;
- c) S3: flashes to the lines connected to the structure;
- d) S4: flashes near the lines connected to the structure.

a) Flashes to the structure can cause:

- immediate mechanical damage, fire and/or explosion due to the hot lightning plasma arc itself, due to the current resulting in ohmic heating of conductors (over-heated conductors), or due to the charge resulting in arc erosion (melted metal);
- fire and/or explosion triggered by sparks caused by overvoltages resulting from resistive and inductive coupling and to passage of part of the lightning currents;
- injury to living beings by electric shock due to step and touch voltages resulting from resistive and inductive coupling;
- failure or malfunction of internal systems due to LEMP.

b) Flashes near the structure can cause:

- failure or malfunction of internal systems due to LEMP.

c) Flashes to a line connected to the structure can cause:

- fire and/or explosion triggered by sparks due to overvoltages and lightning currents transmitted through the connected line;
- injury to living beings by electric shock due to touch voltages inside the structure caused by lightning currents transmitted through the connected line;
- failure or malfunction of internal systems due to overvoltages appearing on connected lines and transmitted to the structure.

d) Flashes near a line connected to the structure can cause:

- failure or malfunction of internal systems due to overvoltages induced on connected lines and transmitted to the structure.

NOTE 1 Malfunctioning of internal systems is not covered by the IEC 62305 series. Reference should be made to IEC 61000-4-5 ^[2].

NOTE 2 Only the sparks carrying lightning current (total or partial) are regarded as able to trigger fire.

NOTE 3 Lightning flashes, direct to or near the incoming pipelines, do not cause damages to the structure, provided that they are bonded to the equipotential bar of the structure (see IEC 62305-3).

As a result, the lightning can cause three basic type of damage:

- D1: injury to living beings by electric shock;
- D2: physical damage (fire, explosion, mechanical destruction, chemical release) due to lightning current effects, including sparking;
- D3: failure of internal systems due to LEMP.

5.2 Types of loss

Each type of damage relevant to structure to be protected, alone or in combination with others, may produce different consequential loss. The type of loss that may appear depends on the characteristics of the structure itself.

For the purposes of IEC 62305, the following types of loss, which may appear as consequence of damages relevant to structure, are considered:

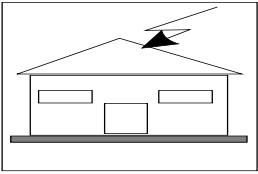
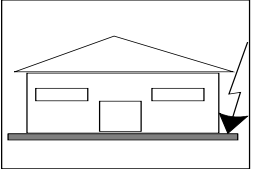
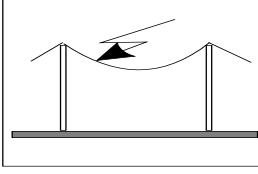
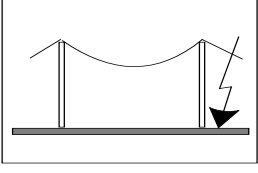
- L1: loss of human life (including permanent injury);
- L2: loss of service to the public;
- L3: loss of cultural heritage;
- L4: loss of economic value (structure, its content, and loss of activity).

NOTE For the purposes of IEC 62305, only utilities such as gas, water, TV, TLC and power supply are considered service to the public.

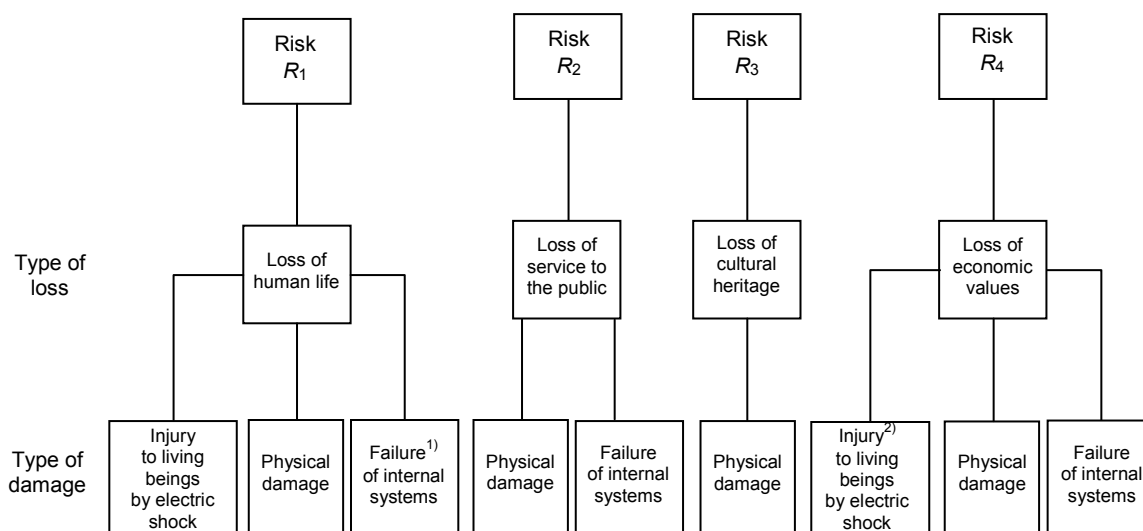
Losses of type L1, L2 and L3 may be considered as loss of social values, whereas a loss of type L4 may be considered as purely an economic loss.

The relationship between source of damage, type of damage and loss is reported in Table 2.

Table 2 – Damage and loss relevant to a structure according to different points of strike of lightning

Point of strike		Source of damage	Type of damage	Type of loss
Structure		S1	D1 D2 D3	L1, L4 ^a L1, L2, L3, L4 L1 ^b , L2, L4
Near a structure		S2	D3	L1 ^b , L2, L4
Line connected to the structure		S3	D1 D2 D3	L1, L4 ^a L1, L2, L3, L4 L1 ^b , L2, L4
Near a line		S4	D3	L1 ^b , L2, L4
<p>a Only for properties where animals may be lost..</p> <p>b Only for structures with risk of explosion and for hospitals or other structures where failure of internal systems immediately endangers human life.</p>				

Types of loss resulting from types of damage and the corresponding risks are reported in Figure 2.



IEC 2613/10

^a Only for hospitals or other structures where failure of internal systems immediately endanger human life.

^b Only for properties where animals may be lost.

Figure 2 – Types of loss and corresponding risks resulting from different types of damage

6 Need and economic justification for lightning protection

6.1 Need for lightning protection

The need for the lightning protection of a structure to be protected in order to reduce the loss of social values L1, L2 and L3 shall be evaluated.

In order to evaluate whether or not lightning protection of a structure is needed, a risk assessment in accordance with the procedures contained in IEC 62305-2 shall be made. The following risks shall be taken into account, corresponding to the types of loss reported in 5.2:

- R_1 : risk of loss or permanent injury of human life;
- R_2 : risk of loss of services to the public;
- R_3 : risk of loss of cultural heritage.

NOTE 1 Risk R_4 : risk of loss of economic values, should be assessed whenever the economic justification of lightning protection is considered (see 6.2).

Protection against lightning is needed if the risk R (R_1 to R_3) is higher than the tolerable level R_T

$$R > R_T$$

In this case, protection measures shall be adopted in order reduce the risk R (R_1 to R_3) to the tolerable level R_T

$$R \leq R_T$$

If more than one type of loss could appear, the condition $R \leq R_T$ shall be satisfied for each type of loss (L1, L2 and L3).

The values of tolerable risk R_T where lightning could result in the loss of items of social value should be under the responsibility of a competent national body.

NOTE 2 An authority having jurisdiction may specify the need for lightning protection for specific applications without requiring a risk assessment. In these cases, the required lightning protection level will be specified by the authority having jurisdiction. In some cases, a risk assessment may be performed as a technique by which to justify a waiver to these requirements.

NOTE 3 Detailed information on risk assessment and on the procedure for selection of protection measures is reported in IEC 62305-2.

6.2 Economic justification of lightning protection

Besides the need for lightning protection for the structure to be protected, it may be useful to evaluate the economic benefits of providing protection measures in order to reduce the economic loss L4.

In this case, the risk R_4 of loss of economic values should be assessed. The assessment of risk R_4 allows for the evaluation of the cost of the economic loss with and without the adopted protection measures.

Lightning protection is cost effective if the sum of the cost C_{RL} of residual loss in the presence of protection measures and the cost C_{PM} of protection measures is lower than the cost C_L of total loss without protection measures:

$$C_{RL} + C_{PM} < C_L$$

NOTE Detailed information on the evaluation of economic justification of lightning protection is reported in IEC 62305-2.

7 Protection measures

7.1 General

Protection measures may be adopted in order to reduce the risk according to the type of damage.

7.2 Protection measures to reduce injury of living beings by electric shock

Possible protection measures include:

- adequate insulation of exposed conductive parts;
- equipotentialization by means of a meshed earthing system;
- physical restrictions and warning notices;
- lightning equipotential bonding (EB).

NOTE 1 Equipotentialization and an increase of the contact resistance of the ground surface inside and outside the structure may reduce the life hazard (see Clause 8 of IEC 62305-3:2010).

NOTE 2 Protection measures are effective only in structures protected by an LPS.

NOTE 3 The use of storm detectors and the associated provision taken may reduce the life hazard.

7.3 Protection measures to reduce physical damage

Protection is achieved by the lightning protection system (LPS) which includes the following features:

- air-termination system;
- down-conductor system;
- earth-termination system;
- lightning equipotential bonding (EB);
- electrical insulation (and hence separation distance) against the external LPS.

NOTE 1 When an LPS is installed, equipotentialization is a very important measure to reduce fire and explosion danger and life hazard. For more details see IEC 62305-3.

NOTE 2 Provisions limiting the development and propagation of the fire such as fireproof compartments, extinguishers, hydrants, fire alarms and fire extinguishing installations may reduce physical damage.

NOTE 3 Protected escape routes provide protection for personnel.

7.4 Protection measures to reduce failure of electrical and electronic systems

Possible protection measures (SPM) include

- earthing and bonding measures,
- magnetic shielding,
- line routing,
- isolating interfaces,
- coordinated SPD system.

These measures may be used alone or in combination.

NOTE 1 When source of damage S1 is considered, protection measures are effective only in structures protected by an LPS.

NOTE 2 The use of storm detectors and the associated provision taken may reduce failures of electrical and electronic systems.

7.5 Protection measures selection

The protection measures listed in 7.2, 7.3 and 7.4 together form the overall lightning protection.

Selection of the most suitable protection measures shall be made by the designer of the protection measures and the owner of the structure to be protected according to the type and the amount of each kind of damage, the technical and economic aspects of the different protection measures and the results of risk assessment.

The criteria for risk assessment and for selection of the most suitable protection measures are given in IEC 62305-2.

Protection measures are effective provided that they comply with the requirements of relevant standards and are able to withstand the stress expected in the place of their installation.

8 Basic criteria for protection of structures

8.1 General

An ideal protection for structures would be to enclose the structure to be protected within an earthed and perfectly conducting continuous shield of adequate thickness, and to provide adequate bonding, at the entrance point into the shield, of the lines connected to the structure.

This would prevent the penetration of lightning current and related electromagnetic field into the structure to be protected and prevent dangerous thermal and electrodynamic effects of current, as well as dangerous sparkings and overvoltages for internal systems.

In practice, it is often neither possible nor cost effective to go to such measures to provide such full protection.

Lack of continuity of the shield and/or its inadequate thickness allows the lightning current to penetrate the shield causing:

- physical damage and life hazard;
- failure of internal systems.

Protection measures, adopted to reduce such damages and relevant consequential loss, shall be designed for the defined set of lightning current parameters against which protection is required (lightning protection level).

8.2 Lightning protection levels (LPL)

For the purposes of IEC 62305, four lightning protection levels (I to IV) are introduced. For each LPL, a set of maximum and minimum lightning current parameters is fixed.

NOTE 1 Protection against lightning whose maximum and minimum lightning current parameters exceed those relevant to LPL I needs more efficient measures which should be selected and erected on an individual basis.

NOTE 2 The probability of occurrence of lightning with minimum or maximum current parameters outside the range of values defined for LPL I is less than 2 %.

The maximum values of lightning current parameters relevant to LPL I shall not be exceeded, with a probability of 99 %. According to the polarity ratio assumed (see Clause A.2), values taken from positive flashes will have probabilities below 10 %, while those from negative flashes will remain below 1 % (see Clause A.3).

The maximum values of lightning current parameters relevant to LPL I are reduced to 75 % for LPL II and to 50 % for LPL III and IV (linear for I , Q and di/dt , but quadratic for W/R). The time parameters are unchanged.

NOTE 3 Lightning protection levels whose maximum lightning current parameters are lower than those relevant to LPL IV allow one to consider values of probability of damage higher than those presented in Annex B of IEC 62305-2:2010, but not quantified and are useful for better tailoring of protection measures in order to avoid unjustified costs.

The maximum values of lightning current parameters for the different lightning protection levels are given in Table 3 and are used to design lightning protection components (e.g. cross-section of conductors, thickness of metal sheets, current capability of SPDs, separation distance against dangerous sparking) and to define test parameters simulating the effects of lightning on such components (see Annex D).

The minimum values of lightning current amplitude for the different LPL are used to derive the rolling sphere radius (see Clause A.4) in order to define the lightning protection zone LPZ 0_B which cannot be reached by direct strike (see 8.3 and Figures 3 and 4). The minimum values of lightning current parameters together with the related rolling sphere radius are given

in Table 4. They are used for positioning of the air-termination system and to define the lightning protection zone LPZ 0_B (see 8.3).

Table 3 – Maximum values of lightning parameters according to LPL

First positive impulse			LPL			
Current parameters	Symbol	Unit	I	II	III	IV
Peak current	I	kA	200	150	100	
Impulse charge	Q_{SHORT}	C	100	75	50	
Specific energy	W/R	MJ/Ω	10	5,6	2,5	
Time parameters	T_1 / T_2	μs / μs	10 / 350			
First negative impulse ^a			LPL			
Current parameters	Symbol	Unit	I	II	III	
Peak current	I	kA	100	75	50	
Average steepness	di/dt	kA/μs	100	75	50	
Time parameters	T_1 / T_2	μs / μs	1 / 200			
Subsequent impulse			LPL			
Current parameters	Symbol	Unit	I	II	III	IV
Peak current	I	kA	50	37,5	25	
Average steepness	di/dt	kA/μs	200	150	100	
Time parameters	T_1 / T_2	μs / μs	0,25 / 100			
Long stroke			LPL			
Current parameters	Symbol	Unit	I	II	III	IV
Long stroke charge	Q_{LONG}	C	200	150	100	
Time parameter	T_{LONG}	s	0,5			
Flash			LPL			
Current parameters	Symbol	Unit	I	II	III	IV
Flash charge	Q_{FLASH}	C	300	225	150	

^a The use of this current shape concerns only calculations and not testing.

Table 4 – Minimum values of lightning parameters and related rolling sphere radius corresponding to LPL

Interception criteria			LPL			
	Symbol	Unit	I	II	III	IV
Minimum peak current	I	kA	3	5	10	16
Rolling sphere radius	r	m	20	30	45	60

From the statistical distributions given in Figure A.5, a weighted probability can be determined that the lightning current parameters are smaller than the maximum values and respectively greater than the minimum values defined for each protection level (see Table 5).

Table 5 – Probabilities for the limits of the lightning current parameters

Probability that lightning current parameters	LPL			
	I	II	III	IV
– are smaller than the maximum values defined in Table 3	0,99	0,98	0,95	0,95
– are greater than the minimum values defined in Table 4	0,99	0,97	0,91	0,84

The protection measures specified in IEC 62305-3 and IEC 62305-4 are effective against lightning whose current parameters are in the range defined by the LPL assumed for design. Therefore the efficiency of a protection measure is assumed equal to the probability with which lightning current parameters are inside such range. For parameters exceeding this range, a residual risk of damage remains.

8.3 Lightning protection zones (LPZ)

Protection measures such as LPS, shielding wires, magnetic shields and SPD determine lightning protection zones (LPZ).

LPZ downstream of the protection measure are characterized by significant reduction of LEMP than that upstream of the LPZ.

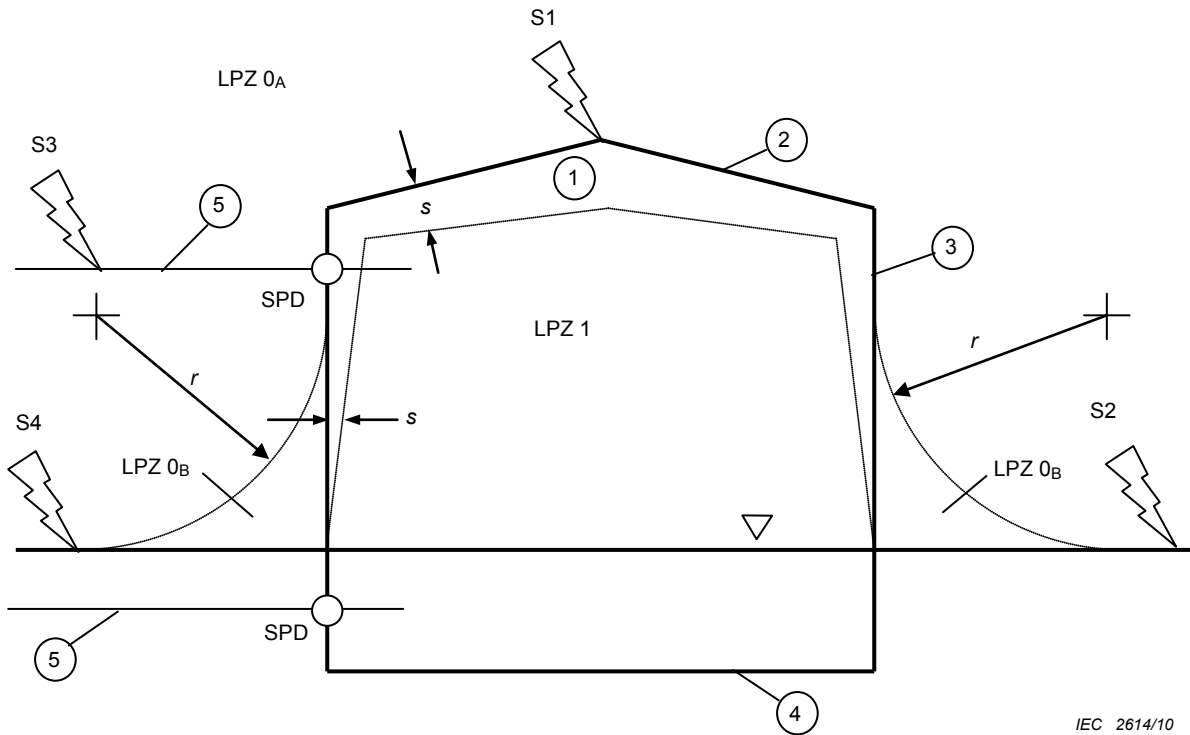
With respect to the threat of lightning, the following LPZs are defined (see Figures 3 and 4):

- LPZ 0_A zone where the threat is due to the direct lightning flash and the full lightning electromagnetic field. The internal systems may be subjected to full or partial lightning surge current;
- LPZ 0_B zone protected against direct lightning flashes but where the threat is the full lightning electromagnetic field. The internal systems may be subjected to partial lightning surge currents;
- LPZ 1 zone where the surge current is limited by current sharing and by isolating interfaces and/or SPDs at the boundary. Spatial shielding may attenuate the lightning electromagnetic field;
- LPZ 2, ..., n zone where the surge current may be further limited by current sharing and by isolating interfaces and/or additional SPDs at the boundary. Additional spatial shielding may be used to further attenuate the lightning electromagnetic field.

NOTE 1 In general, the higher the number of an individual zone, the lower the electromagnetic environment parameters.

As a general rule for protection, the structure to be protected shall be in an LPZ whose electromagnetic characteristics are compatible with the capability of the structure to withstand stress causing the damage to be reduced (physical damage, failure of electrical and electronic systems due to overvoltages).

NOTE 2 For most electrical and electronic systems and apparatus, information about withstand level can be supplied by manufacturer.



IEC 2614/10

Key

- | | | | |
|---|--------------------------|----|--|
| 1 | structure | S1 | flash to the structure |
| 2 | air-termination system | S2 | flash near to the structure |
| 3 | down-conductor system | S3 | flash to a line connected to the structure |
| 4 | earth-termination system | S4 | flash near a line connected to the structure |
| 5 | incoming lines | r | rolling sphere radius |
| | | s | separation distance against dangerous sparking |

▽ ground level

○ lightning equipotential bonding by means of SPD

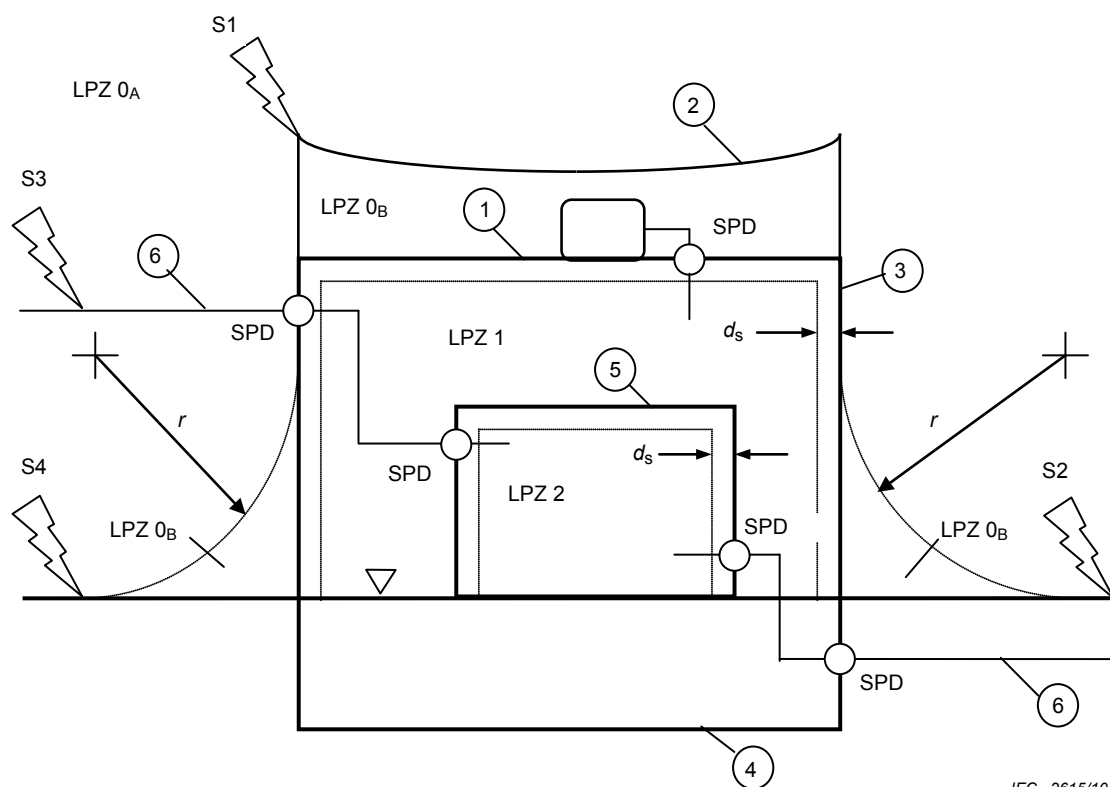
LPZ 0_A direct flash, full lightning current

LPZ 0_B no direct flash, partial lightning or induced current

LPZ 1 no direct flash, limited lightning or induced current

protected volume inside LPZ 1 must respect separation distance s

Figure 3 – LPZ defined by an LPS (IEC 62305-3)



IEC 2615/10

Key

1	structure (shield of LPZ 1)	S1	flash to the structure
2	air-termination system	S2	flash near to the structure
3	down-conductor system	S3	flash to a line connected to the structure
4	earth-termination system	S4	flash near a line connected to the structure
5	room (shield of LPZ 2)	r	rolling sphere radius
6	lines connected to the structure	d_s	safety distance against too high magnetic field

▽ ground level

○ lightning equipotential bonding by means of SPD

LPZ 0_A direct flash, full lightning current, full magnetic field

LPZ 0_B no direct flash, partial lightning or induced current, full magnetic field

LPZ 1 no direct flash, limited lightning or induced current, damped magnetic field

LPZ 2 no direct flash, induced currents, further damped magnetic field

protected volumes inside LPZ 1 and LPZ 2 must respect safety distances d_s

Figure 4 – LPZ defined by an SPM (IEC 62305-4)

8.4 Protection of structures

8.4.1 Protection to reduce physical damage and life hazard

The structure to be protected shall be inside an LPZ 0_B or higher. This is achieved by means of a lightning protection system (LPS).

An LPS consists of both external and internal lightning protection systems.

The functions of the external LPS are

- to intercept a lightning flash to the structure (with an air-termination system),
- to conduct the lightning current safely to earth (with a down-conductor system),
- to disperse it into the earth (with an earth-termination system).

The function of the internal LPS is to prevent dangerous sparking within the structure, using equipotential bonding or a separation distance, s , (and hence electrical isolation) between the LPS components and other electrically conducting elements internal to the structure.

Four classes of LPS (I, II, III and IV) are defined as a set of construction rules, based on the corresponding LPL. Each set includes level-dependent (e.g. rolling sphere radius, mesh width etc.) and level-independent (e.g. cross-sections, materials etc.) construction rules.

Where surface resistivity of the soil outside and of the floor inside the structure is kept low, life hazard due to touch and step voltages is reduced:

- outside the structure, by insulation of the exposed conductive parts, by equipotentialization of the soil by means of a meshed earthing system, by warning notices and by physical restrictions;
- inside the structure, by equipotential bonding of lines at entrance point into the structure.

The LPS shall comply with the requirements of IEC 62305-3.

8.4.2 Protection to reduce the failure of internal systems

The protection against LEMP to reduce the risk of failure of internal systems shall limit

- surges due to lightning flashes to the structure resulting from resistive and inductive coupling,
- surges due to lightning flashes near the structure resulting from inductive coupling,
- surges transmitted by lines connected to the structure due to flashes to or near the lines,
- magnetic field directly coupling with apparatus.

NOTE Failure of apparatus due to electromagnetic fields directly radiated into the equipment is negligible provided that apparatus complies with radio-frequency (RF) radiated emission and immunity tests defined by relevant EMC product standards (see IEC 62305-2 and IEC 62305-4).

The system to be protected shall be located inside an LPZ 1 or higher. This is achieved by means of electrical and electronic system protection measures (SPM) consisting of magnetic shields attenuating the inducing magnetic field and/or suitable routing of wiring to reduce the induction loop. Bonding shall be provided at the boundaries of an LPZ for metal parts and systems crossing the boundaries. This bonding may be accomplished by means of bonding conductors or, when necessary, by surge protective devices (SPDs).

The protection measures for any LPZ shall comply with IEC 62305-4.

Effective protection against overvoltages, causing failures of internal systems, may also be achieved by means of isolating interfaces and/or a coordinated SPD system, limiting overvoltages below the rated impulse withstand voltage of the system to be protected.

Isolating interfaces and SPDs shall be selected and installed according to the requirements of IEC 62305-4.

Annex A (informative)

Parameters of lightning current

A.1 Lightning flashes to earth

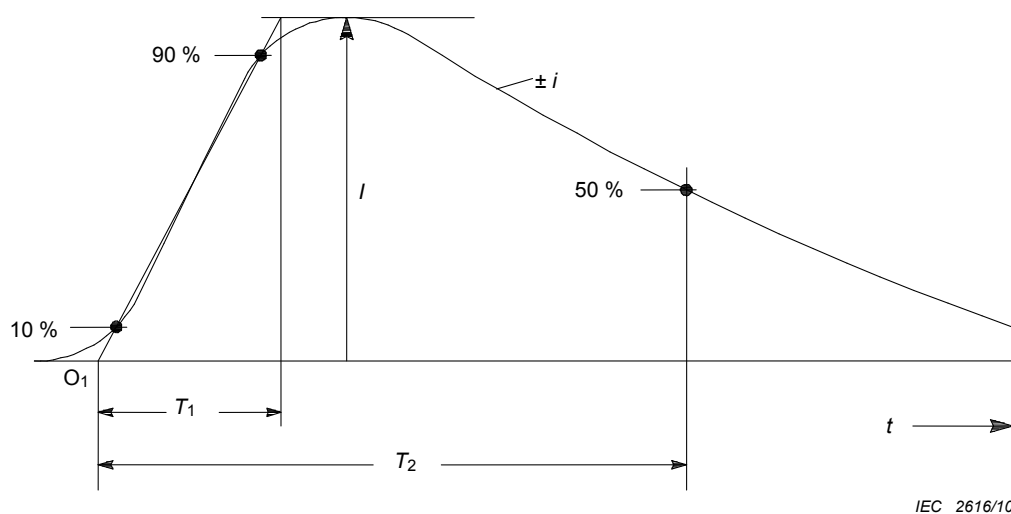
Two basic types of flashes exist:

- downward flashes initiated by a downward leader from cloud to earth;
- upward flashes initiated by an upward leader from an earthed structure to cloud.

Mostly downward flashes occur in flat territory, and to lower structures, whereas for exposed and/or higher structures upward flashes become dominant. With effective height, the probability of a direct strike to the structure increases (see IEC 62305-2:2010, Annex A) and the physical conditions change.

A lightning current consists of one or more different strokes:

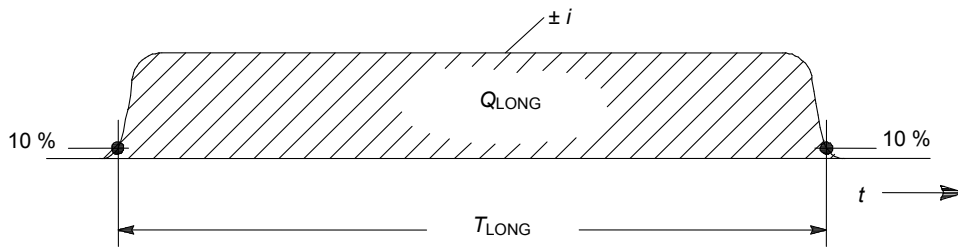
- impulses with duration less than 2 ms (Figure A.1)
- long strokes with duration longer than 2 ms (Figure A.2).



Key

- O_1 virtual origin
 I peak current
 T_1 front time
 T_2 time to half value

Figure A.1 – Definitions of impulse current parameters (typically $T_2 < 2$ ms)



IEC 2617/10

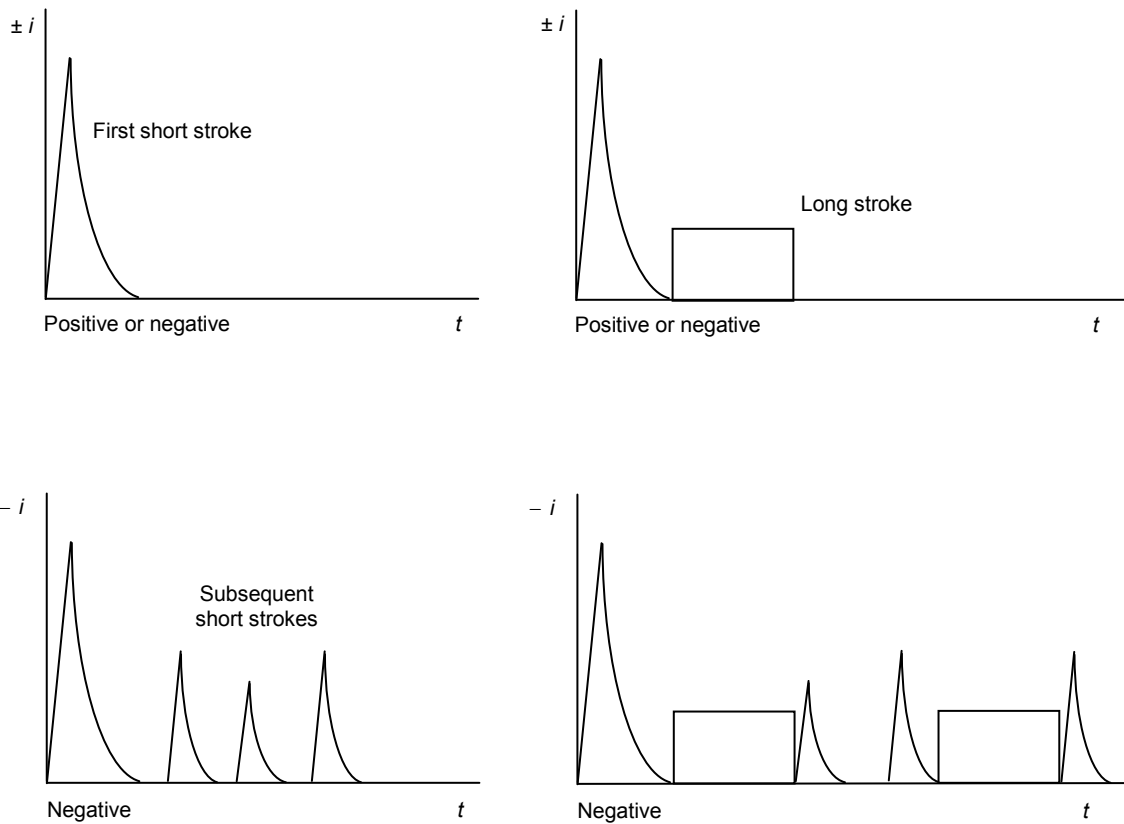
Key

T_{LONG} duration time

Q_{LONG} long stroke charge

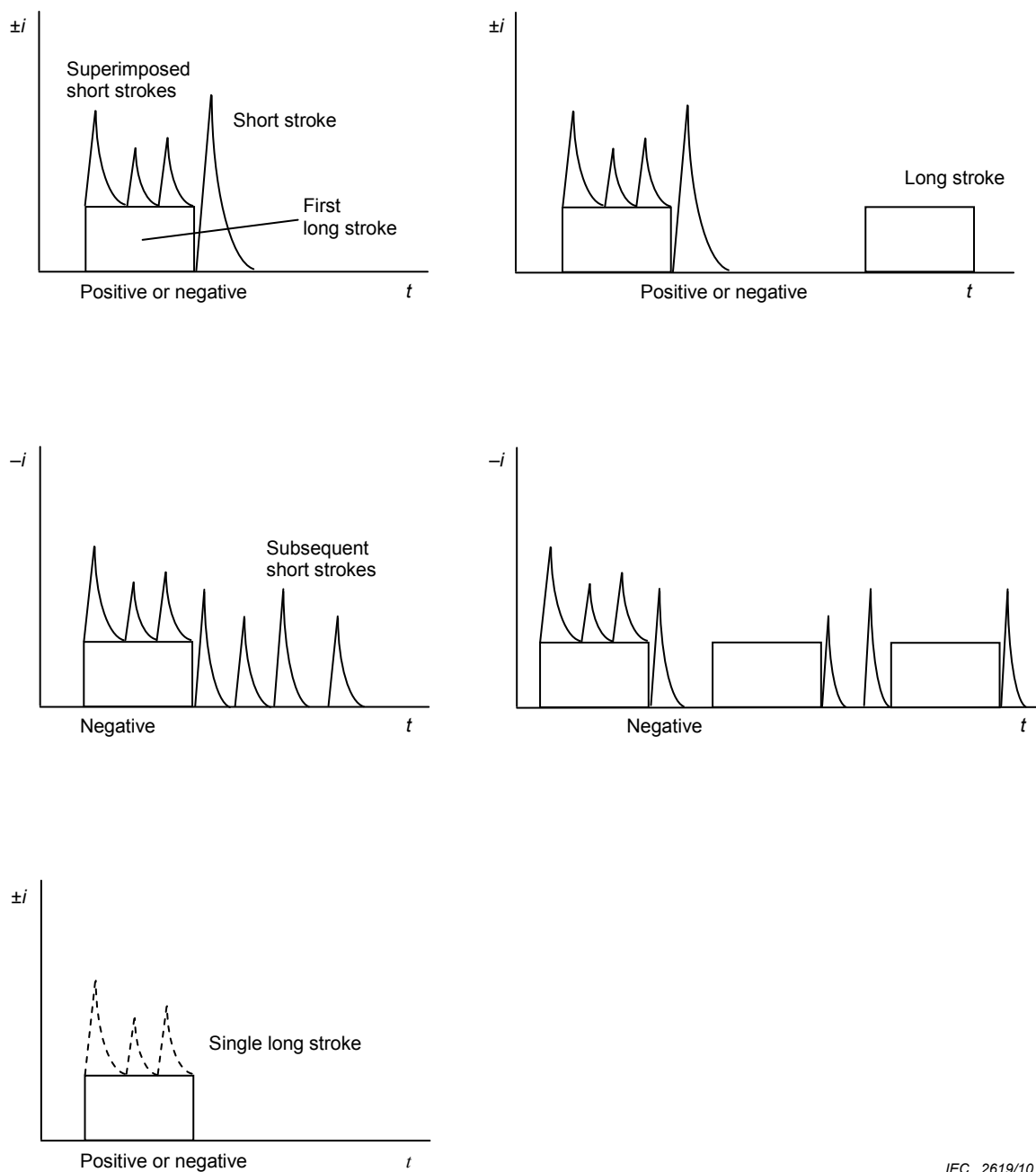
**Figure A.2 – Definitions of long duration stroke parameters
(typically $2\text{ ms} < T_{LONG} < 1\text{ s}$)**

Further differentiation of strokes comes from their polarity (positive or negative) and from their position during the flash (first, subsequent, and superimposed). The possible components are shown in Figure A.3 for downward flashes and in Figure A.4 for upward flashes.



IEC 2618/10

**Figure A.3 – Possible components of downward flashes
(typical in flat territory and to lower structures)**



IEC 2619/10

**Figure A.4 – Possible components of upward flashes
(typical to exposed and/or higher structures)**

The additional component in upward flashes is the first long stroke with or without up to some ten superimposed impulses. But all impulse current parameters of upward flashes are less than those of downward flashes. A higher long stroke charge of upward flashes is not yet confirmed. Therefore the lightning current parameters of upward flashes are considered to be covered by the maximum values given for downward flashes. A more precise evaluation of lightning current parameters and their height dependency with regard to downward and upward flashes is under consideration.

A.2 Lightning current parameters

The lightning current parameters in this part of IEC 62305 are based on the results of the International Council on Large Electrical Systems (CIGRE) data given in Table A.1. Their statistical distribution can be assumed to have a logarithmic normal distribution. The corresponding mean value μ and the dispersion σ_{\log} are given in Table A.2 and the distribution function is shown in Figure A.5. On this basis, the probability of occurrence of any value of each parameter can be determined.

A polarity ratio of 10 % positive and 90 % negative flashes is assumed. The polarity ratio is a function of the territory. If no local information is available, the ratio given herein should be used.

The value of the probability of occurrence of lightning current peak values exceeding the previously considered is reported in Table A.3.

Copyright International Electrotechnical Commission

**Table A.1 – Tabulated values of lightning current parameters taken from CIGRE
(Electra No. 41 or No. 69) [3], [4]**

Parameter	Fixed values for LPL I	Values			Type of stroke	Line in Figure A.5
		95 %	50 %	5 %		
I (kA)		4 ^a	20 ^a	90	First negative short ^b	1A+1B
	50	4,9	11,8	28,6	Subsequent negative short ^b	2
	200	4,6	35	250	First positive short (single)	3
Q_{FLASH} (C)		1,3	7,5	40	Negative flash	4
	300	20	80	350	Positive flash	5
Q_{SHORT} (C)		1,1	4,5	20	First negative short	6
		0,22	0,95	4	Subsequent negative short	7
	100	2	16	150	First positive short (single)	8
W/R (kJ/ Ω)		6	55	550	First negative short	9
		0,55	6	52	Subsequent negative short	10
	10 000	25	650	15 000	First positive short	11
di/dt_{max} (kA/ μ s)		9,1	24,3	65	First negative short ^b	12
		9,9	39,9	161,5	Subsequent negative short ^b	13
	20	0,2	2,4	32	First positive short	14
$di/dt_{30\%/90\%}$ (kA/ μ s)	200	4,1	20,1	98,5	Subsequent negative short ^b	15
Q_{LONG} (C)	200				Long	
T_{LONG} (s)	0,5				Long	
Front duration (μ s)		1,8	5,5	18	First negative short	
		0,22	1,1	4,5	Subsequent negative short	
		3,5	22	200	First positive short (single)	
Stroke duration (μ s)		30	75	200	First negative short	
		6,5	32	140	Subsequent negative short	
		25	230	2 000	First positive short (single)	
Time interval (ms)		7	33	150	Multiple negative strokes	
Total flash duration (ms)		0,15	13	1 100	Negative flash (all)	
		31	180	900	Negative flash (without single)	
		14	85	500	Positive flash	

^a The values of $I = 4$ kA and $I = 20$ kA correspond to a probability of 98 % and 80 %, respectively.

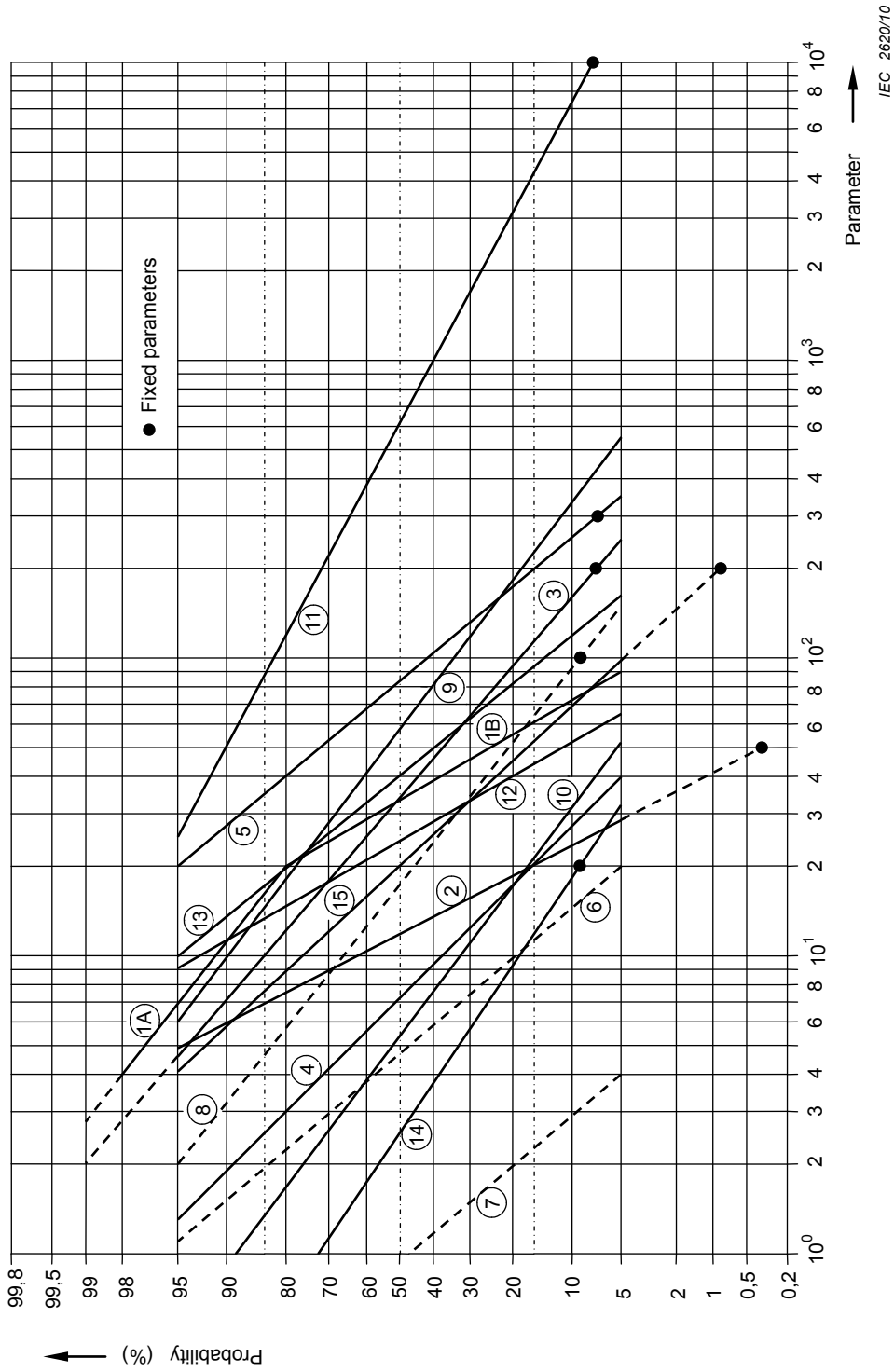
^b Parameters and relevant values reported on Electra No. 69.

Table A.2 – Logarithmic normal distribution of lightning current parameters – Mean μ and dispersion σ_{\log} calculated from 95 % and 5 % values from CIGRE (Electra No. 41 or No. 69) [3], [4]

Parameter	Mean μ	Dispersion ^a σ_{\log}	Stroke type	Line in Figure A.5
I (kA)	(61,1)	0,576	First negative short (80 %) ^b	1A
	33,3	0,263	First negative short (80 %) ^b	1B
	11,8	0,233	Subsequent negative short ^b	2
	33,9	0,527	First positive short (single)	3
Q_{FLASH} (C)	7,21	0,452	Negative flash	4
	83,7	0,378	Positive flash	5
Q_{SHORT} (C)	4,69	0,383	First negative short	6
	0,938	0,383	Subsequent negative short	7
	17,3	0,570	First positive short (single)	8
W/R (kJ/ Ω)	57,4	0,596	First negative short	9
	5,35	0,600	Subsequent negative short	10
	612	0,844	First positive short	11
di/dt_{max} (kA/ μs)	24,3	0,260	First negative short ^b	12
	40,0	0,369	Subsequent negative short ^b	13
	2,53	0,670	First positive short	14
$di/dt_{\text{t}30\%/90\%}$ (kA/ μs)	20,1	0,420	Subsequent negative short ^b	15
Q_{LONG} (C)	200		Long	
T_{LONG} (s)	0,5		Long	
Front duration (μs)	5,69	0,304	First negative short	
	0,995	0,398	Subsequent negative short	
	26,5	0,534	First positive short (single)	
Stroke duration (μs)	77,5	0,250	First negative short	
	30,2	0,405	Subsequent negative short	
	224	0,578	First positive short (single)	
Time interval (ms)	32,4	0,405	Multiple negative strokes	
Total flash duration (ms)	12,8	1,175	Negative flash (all)	
	167	0,445	Negative flash (without single)	
	83,7	0,472	Positive flash	
^a $\sigma_{\log} = \log(X_{16\%}) - \log(X_{50\%})$ where X is the value of parameter. ^b Parameters and relevant values reported on Electra No. 69.				

Table A.3 – Values of probability P as function of the lightning current I

I (kA)	P
0	1
3	0,99
5	0,95
10	0,9
20	0,8
30	0,6
35	0,5
40	0,4
50	0,3
60	0,2
80	0,1
100	0,05
150	0,02
200	0,01
300	0,005
400	0,002
600	0,001



NOTE For numbering of curves see Tables A.1 and A.2.

Figure A.5 – Cumulative frequency distribution of lightning current parameters (lines through 95 % and 5 % value)

All values fixed for LPL given in this standard relate to both downward and upward flashes.

NOTE The value of lightning parameters is usually obtained from measurement taken on tall structures. Statistical distribution of roughly estimated lightning current peak values that does not consider the effect of tall structures is also available from lightning location systems.

A.3 Fixing the maximum lightning current parameters for LPL I

A.3.1 Positive impulse

The mechanical effects of lightning are related to the peak value of the current (I), and to the specific energy (W/R). The thermal effects are related to the specific energy (W/R) when resistive coupling is involved and to the charge (Q) when arcs develop to the installation. Overvoltages and dangerous sparking caused by inductive coupling are related to the average steepness (di/dt) of the lightning current front.

Each of the single parameters (I , Q , W/R , di/dt) tend to dominate each failure mechanism. This shall be taken into account in establishing test procedures.

A.3.2 Positive impulse and long stroke

The values of I , Q and W/R related to mechanical and thermal effects are determined from positive flashes (because their 10 % values are much higher than the corresponding 1 % values of the negative flashes). From Figure A.5 (lines 3, 5, 8, 11 and 14) the following values with probabilities below 10 % can be taken:

I	= 200 kA
Q_{FLASH}	= 300 C
Q_{SHORT}	= 100 C
W/R	= 10 MJ/ Ω
di/dt	= 20 kA/ μ s

For a first positive impulse according to Figure A.1, these values give a first approximation for the front time:

$$T_1 = I / (di/dt) = 10 \mu\text{s} \quad (T_1 \text{ is of minor interest})$$

For an exponentially decaying stroke, the following formulae for approximate charge and energy values apply ($T_1 \ll T_2$):

$$Q_{\text{SHORT}} = (1/0,7) \times I \times T_2$$

$$W/R = (1/2) \times (1/0,7) \times I^2 \times T_2$$

These formulae, together with the values given above, lead to a first approximation for the time to half value:

$$T_2 = 350 \mu\text{s}$$

For the long stroke, its charge can be approximately calculated from:

$$Q_{\text{LONG}} = Q_{\text{FLASH}} - Q_{\text{SHORT}} = 200 \text{ C}$$

Its duration time, according to Figure A.2, may be estimated from data in Table A.1 as:

$$T_{\text{LONG}} = 0,5 \text{ s}$$

A.3.3 First negative impulse

For some inductive coupling effects, the first negative impulse leads to the highest induced voltages, e.g. for cables within cable ducts made of reinforced concrete. From Figure A.5 (lines 1 and 12) the following values with probabilities below 1 % can be taken:

$$I = 100 \text{ kA}$$

$$di/dt = 100 \text{ kA}/\mu\text{s}$$

For a first negative impulse according to Figure A.1 these values give a first approximation for its front time of:

$$T_1 = I / (di/dt) = 1,0 \mu\text{s}$$

Its time to half value may be estimated from the stroke duration of first negative impulses:

$$T_2 = 200 \mu\text{s} \quad (T_2 \text{ is of minor interest}).$$

A.3.4 Subsequent impulse

The maximum value of average steepness di/dt related to the dangerous sparking caused by inductive coupling is determined from subsequent impulses of negative flashes (because their 1 % values are somewhat higher than the 1 % values from first negative strokes or the corresponding 10 % values of the positive flashes). From Figure A.5 (lines 2 and 15) the following values with probabilities below 1 % can be taken:

$$I = 50 \text{ kA}$$

$$di/dt = 200 \text{ kA}/\mu\text{s}$$

For a subsequent impulse according to Figure A.1 these values give a first approximation for its front time of:

$$T_1 = I / (di/dt) = 0,25 \mu\text{s}$$

Its time to half value may be estimated from the stroke duration of negative subsequent impulses:

$$T_2 = 100 \mu\text{s} \quad (T_2 \text{ is of minor interest}).$$

A.4 Fixing the minimum lightning current parameters

The interception efficiency of an air-termination system depends on the minimum lightning current parameters and on the related rolling sphere radius. The geometrical boundary of areas which are protected against direct lightning flashes can be determined using the rolling sphere method.

Following the electro-geometric model, the rolling sphere radius r (final jump distance) is correlated with the peak value of the first impulse current. In an IEEE working group report^[5], the relation is given as

$$r = 10 \times I^{0,65} \tag{A.1}$$

where

r is the rolling sphere radius (m);

I is the peak current (kA).

For a given rolling sphere radius r it can be assumed that all flashes with peak values higher than the corresponding minimum peak value I will be intercepted by natural or dedicated air terminations. Therefore, the probability for the peak values of negative and positive first

strokes from Figure A.5 (lines 1A and 3) is assumed to be the interception probability. Taking into account the polarity ratio of 10 % positive and 90 % negative flashes, the total interception probability can be calculated (see Table 5).

Annex B (informative)

Time functions of the lightning current for analysis purposes

The current shapes of

- the first positive impulse 10/350 μs,
- the first negative impulse 1/200 μs,
- the subsequent negative impulses 0,25/100 μs,

may be defined as:

$$i = \frac{I}{k} \times \frac{(t/T_1)^{10}}{1+(t/T_1)^{10}} \times \exp(-t/T_2) \quad (\text{B.1})$$

where

I is the peak current;

k is the correction factor for the peak current;

t is the time;

*T*₁ is the front time constant;

*T*₂ is the tail time constant.

For the current shapes of the first positive impulse, the first negative impulse and the subsequent negative impulses for different LPL, the parameters given in Table B.1 apply. The analytic curves as function of time are shown in Figures B.1 to B.6.

Table B.1 – Parameters for Equation (B.1)

Parameters	First positive impulse			First negative impulse			Subsequent negative impulse		
	LPL			LPL			LPL		
	I	II	III-IV	I	II	III-IV	I	II	III-IV
<i>I</i> (kA)	200	150	100	100	75	50	50	37,5	25
<i>k</i>	0,93	0,93	0,93	0,986	0,986	0,986	0,993	0,993	0,993
<i>T</i> ₁ (μs)	19	19	19	1,82	1,82	1,82	0,454	0,454	0,454
<i>T</i> ₂ (μs)	485	485	485	285	285	285	143	143	143

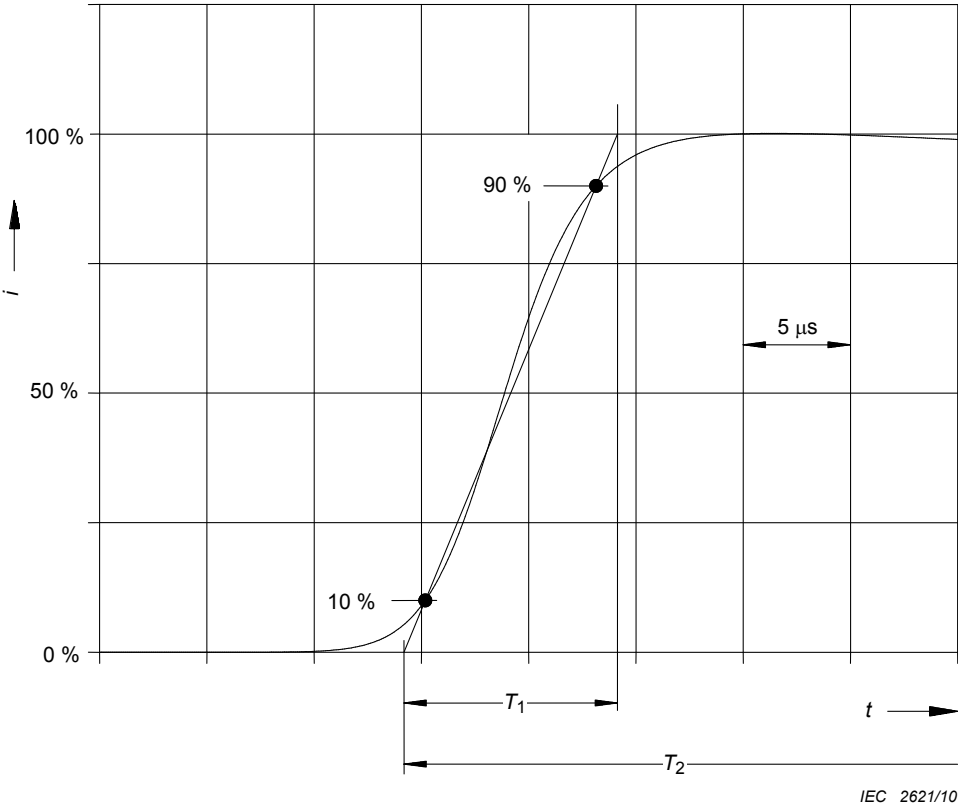


Figure B.1 – Shape of the current rise of the first positive impulse

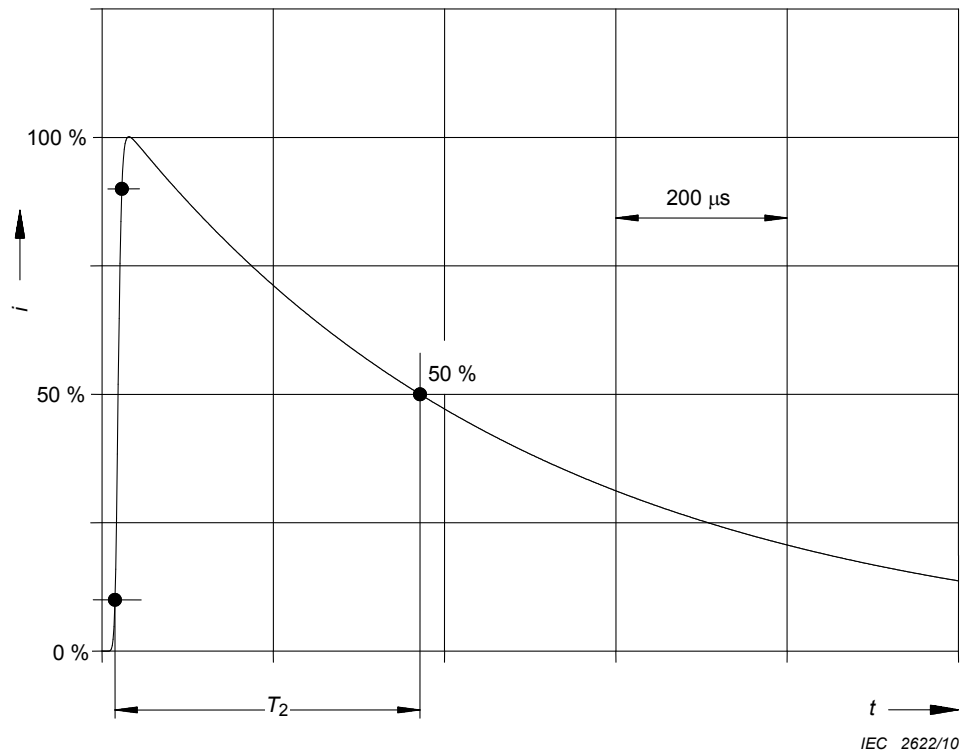


Figure B.2 – Shape of the current tail of the first positive impulse

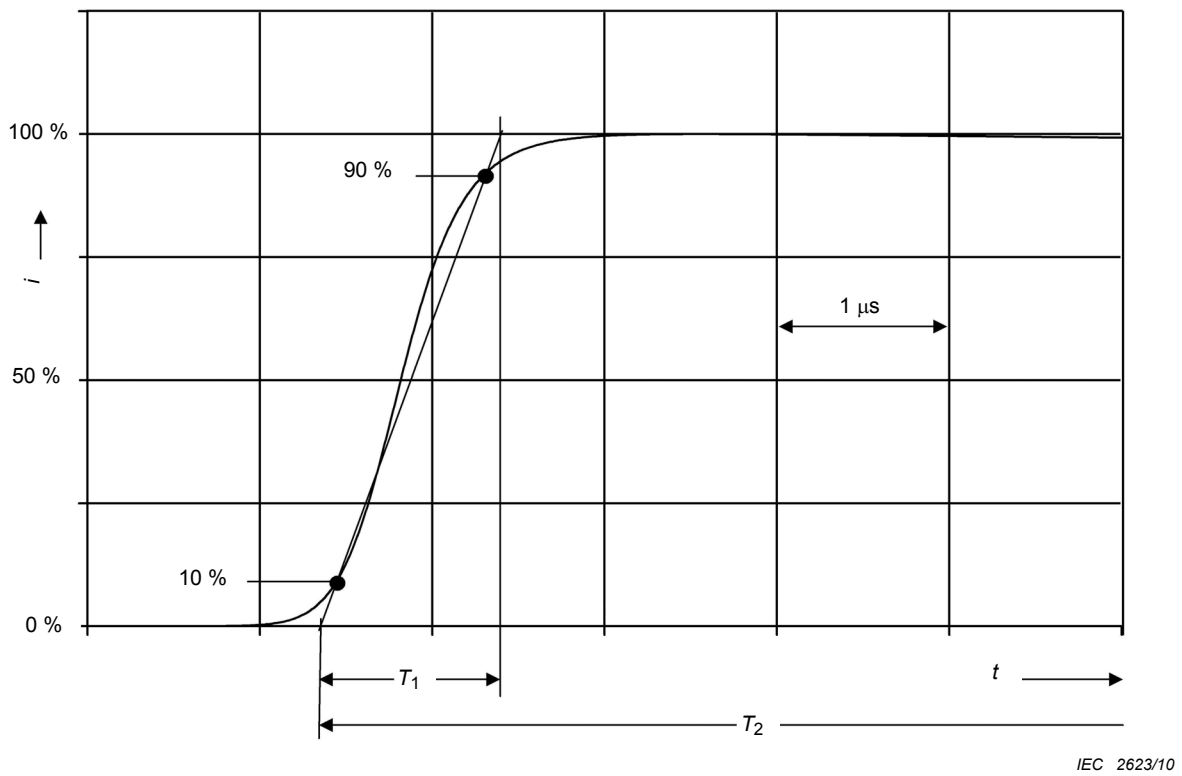
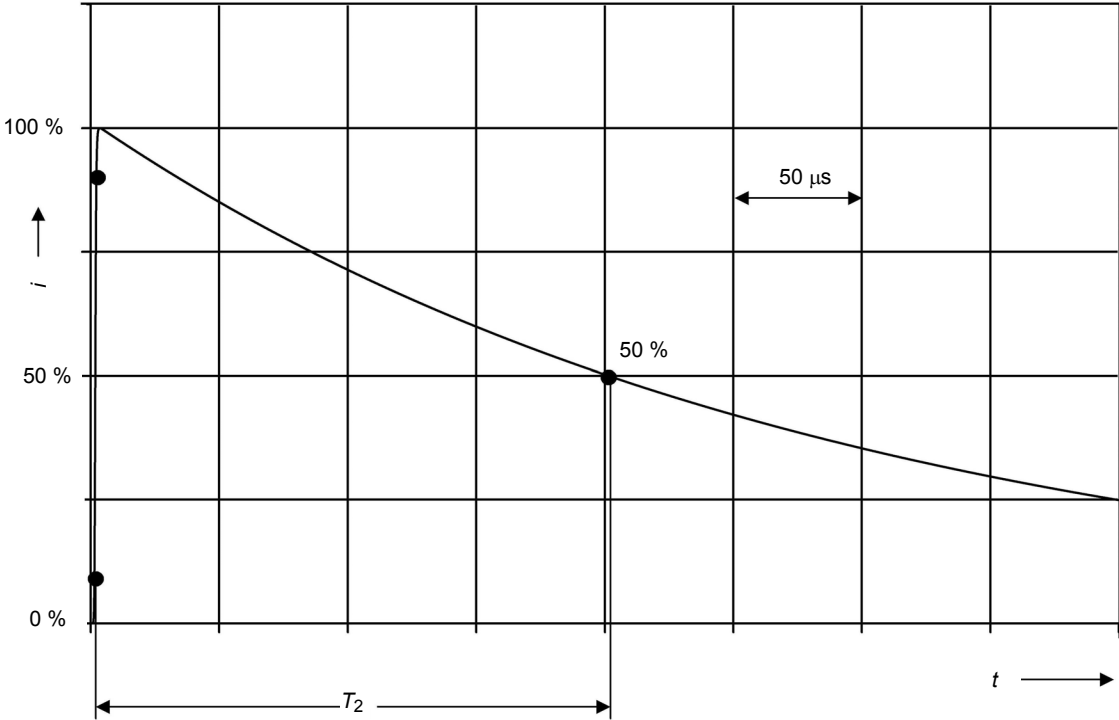


Figure B.3 – Shape of the current rise of the first negative impulse



IEC 2624/10

Figure B.4 – Shape of the current tail of the first negative impulse

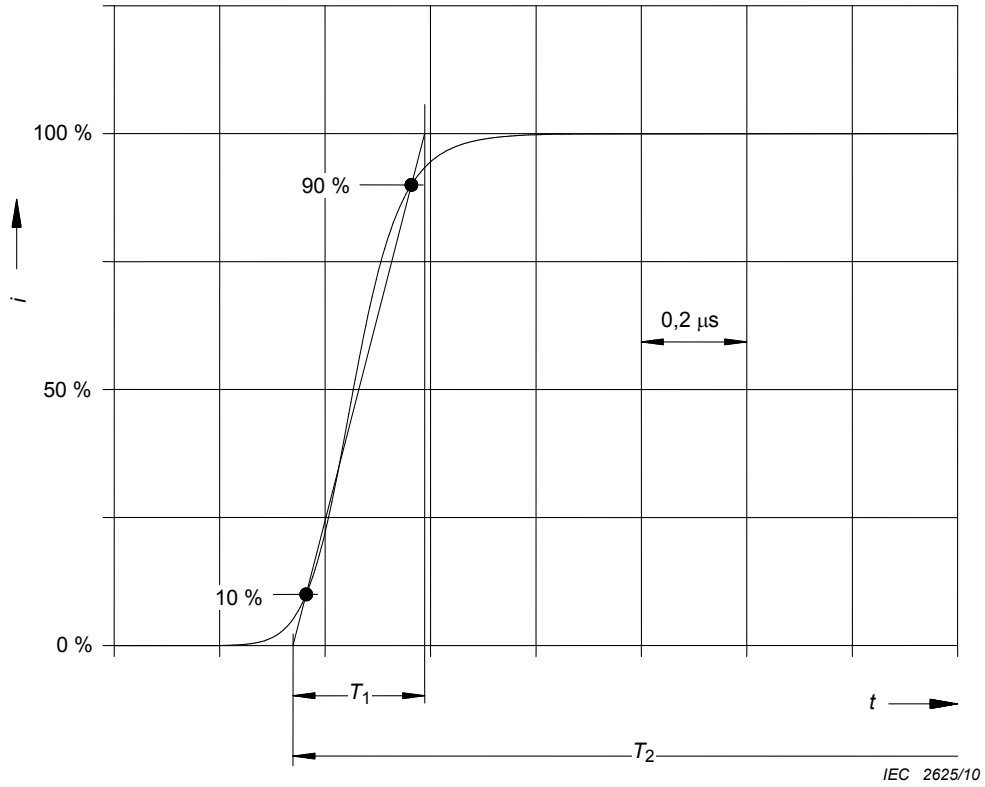


Figure B.5 – Shape of the current rise of the subsequent negative impulses

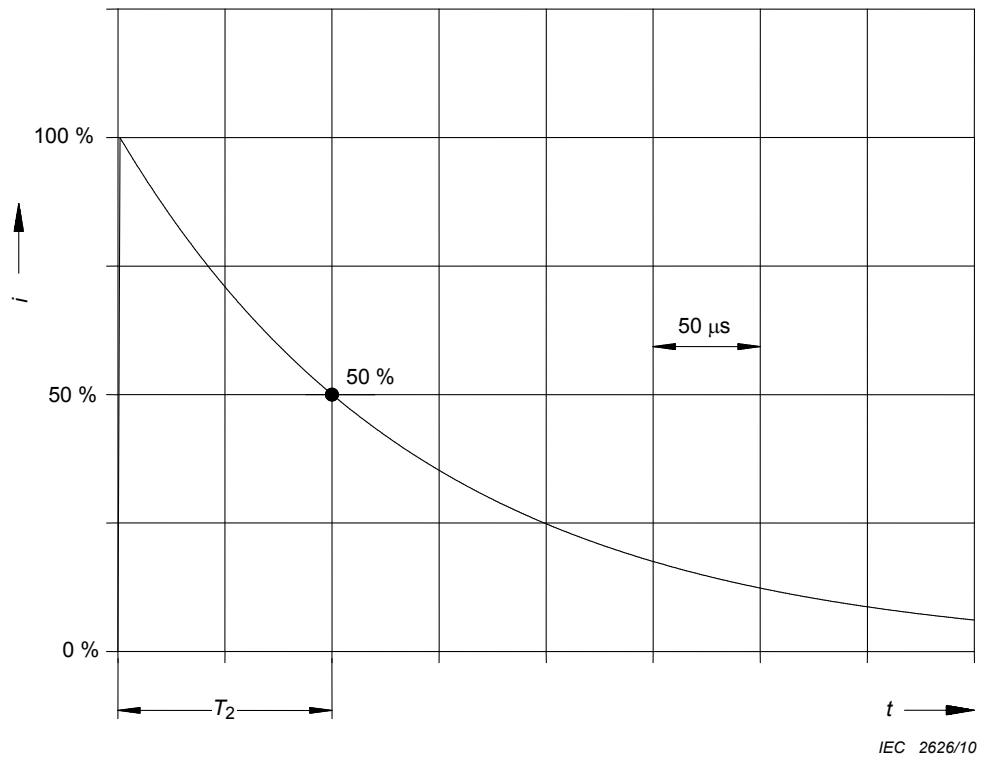


Figure B.6 – Shape of the current tail of the subsequent negative impulses

The long stroke can be described by a rectangular waveshape with an average current I and a duration T_{LONG} according to Table 3.

From the analytic curves as function of time, the amplitude density of the lightning current (Figure B.7) can be derived.

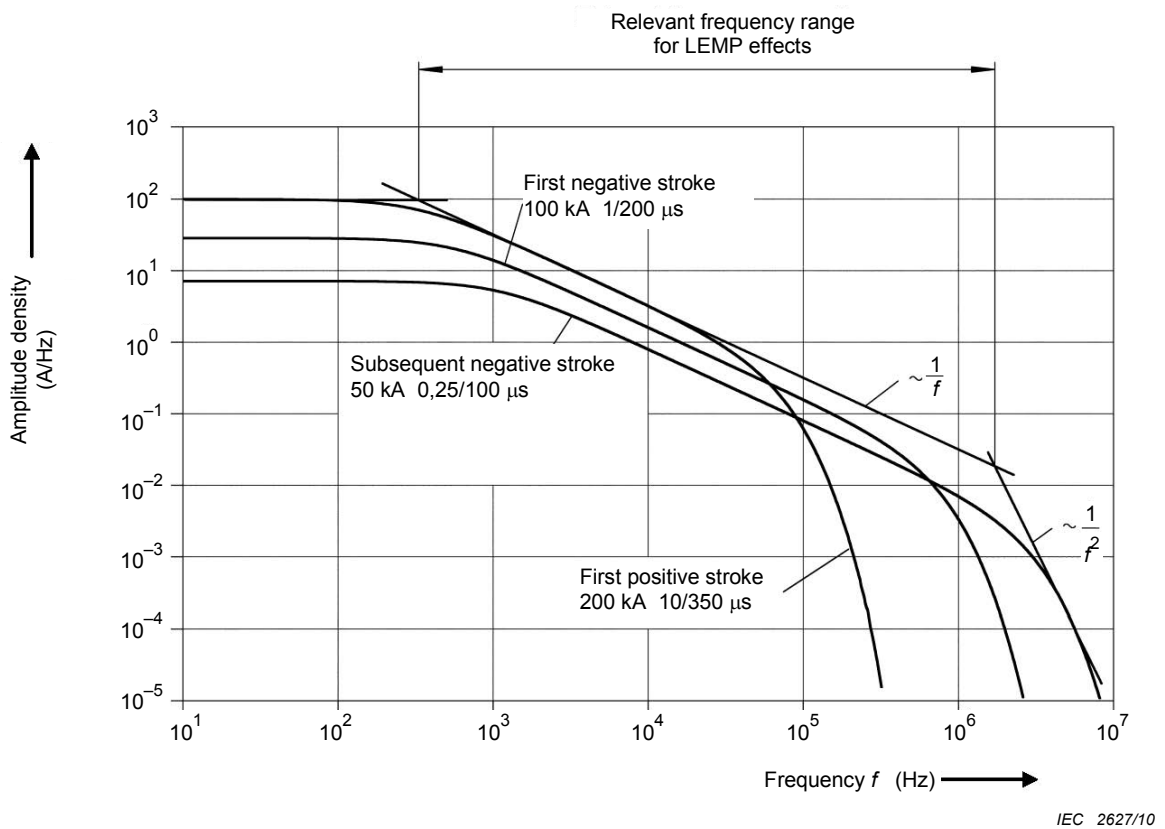


Figure B.7 – Amplitude density of the lightning current according to LPL I

Annex C (informative)

Simulation of the lightning current for test purposes

C.1 General

If a structure is struck by lightning, the lightning current is distributed within the structure. When testing individual protection measure components, this must be taken into account by choosing appropriate test parameters for each component. To this end, a system analysis has to be performed.

C.2 Simulation of the specific energy of the first positive impulse and the charge of the long stroke

Test parameters are defined in Tables C.1 and C.2 and an example test generator is shown in Figure C.1. This generator may be used to simulate the specific energy of the first positive impulse combined with the charge of the long stroke.

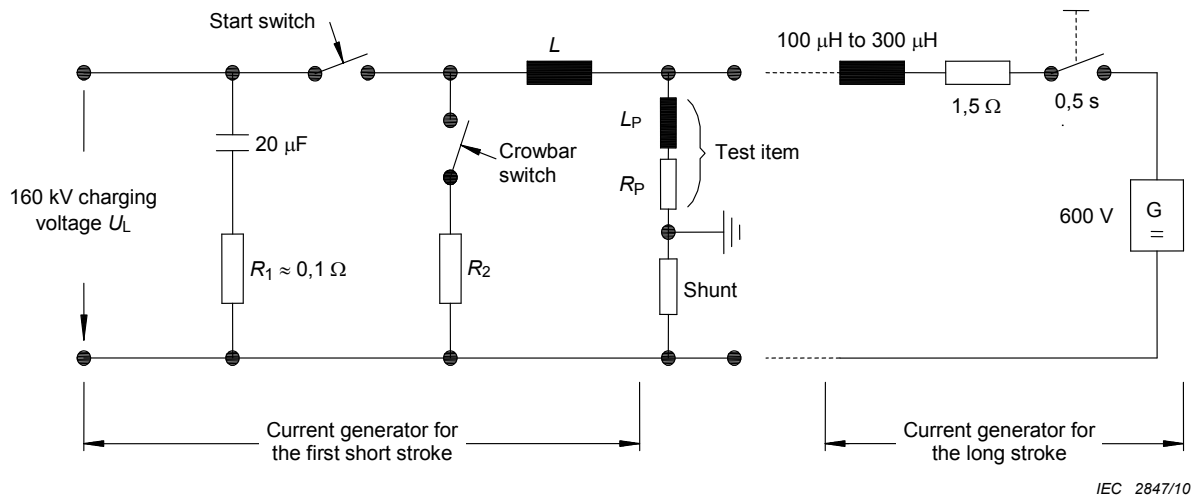
The tests may be used to assess mechanical integrity, freedom from adverse heating and melting effects.

The test parameters relevant for simulation of the first positive impulse (peak current I , the specific energy W/R , and the charge Q_{SHORT}) are given in Table C.1. These parameters should be obtained in the same impulse. This can be achieved by an approximately exponentially decaying current with T_2 in the range of 350 μs .

The test parameters relevant for the simulation of the long stroke (charge Q_{LONG} and duration T_{LONG}) are given in Table C.2.

Depending on the test item and the expected damage mechanisms, the tests for the first positive impulse or the long stroke can be applied singly or as a combined test, where the long stroke follows the first impulse immediately. Tests for arc melting should be performed using both polarities.

NOTE The first negative impulse is not to be used for test purposes.



NOTE The values apply to LPL I.

Figure C.1 – Example test generator for the simulation of the specific energy of the first positive impulse and the charge of the long stroke

Table C.1 – Test parameters of the first positive impulse

Test parameters	LPL			Tolerance %
	I	II	III – IV	
Peak current <i>I</i> (kA)	200	150	100	±10
Charge <i>Q</i> _{SHORT} (C)	100	75	50	±20
Specific energy <i>W/R</i> (MJ/Ω)	10	5,6	2,5	±35

Table C.2 – Test parameters of the long stroke

Test parameters	LPL			Tolerance %
	I	II	III – IV	
Charge <i>Q</i> _{LONG} (C)	200	150	100	±20
Duration <i>T</i> _{LONG} (s)	0,5	0,5	0,5	±10

C.3 Simulation of the front current steepness of the impulses

The steepness of the current determines the magnetically induced voltages in loops installed near conductors carrying lightning currents.

The current steepness of an impulse is defined as the rise of the current Δi during rise time Δt (Figure C.2). The test parameters relevant for the simulation of this current steepness are given in Table C.3. Example test generators are shown in Figures C.3 and C.4, (these may be used to simulate the front steepness of a lightning current associated with a direct lightning strike). The simulation can be carried out for a first positive impulse and a subsequent negative impulse.

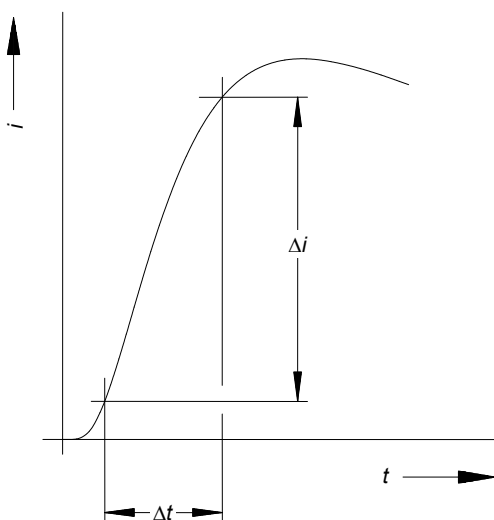
NOTE This simulation covers the front current steepness of impulses. The tail of the current has no influence on this kind of simulation.

The simulation according to Clause C.3 may be applied independently or in combination with the simulation according to Clause C.2.

For further information on test parameters simulating the effects of lightning on LPS components, see Annex D.

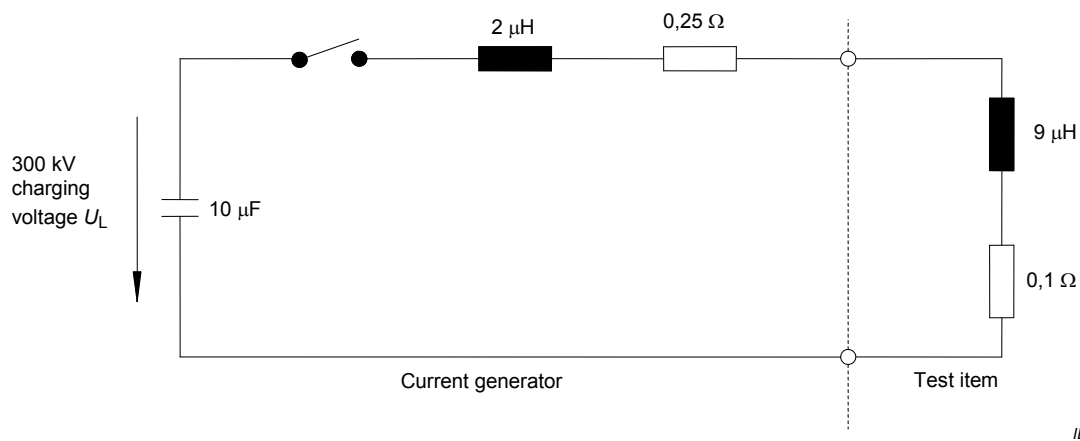
Table C.3 – Test parameters of the impulses

Test parameters	LPL			Tolerance %
	I	II	III – IV	
First positive impulse				
Δi (kA)	200	150	100	± 10
Δt (μs)	10	10	10	± 20
Subsequent negative impulses				
Δi (kA)	50	37,5	25	± 10
Δt (μs)	0,25	0,25	0,25	± 20



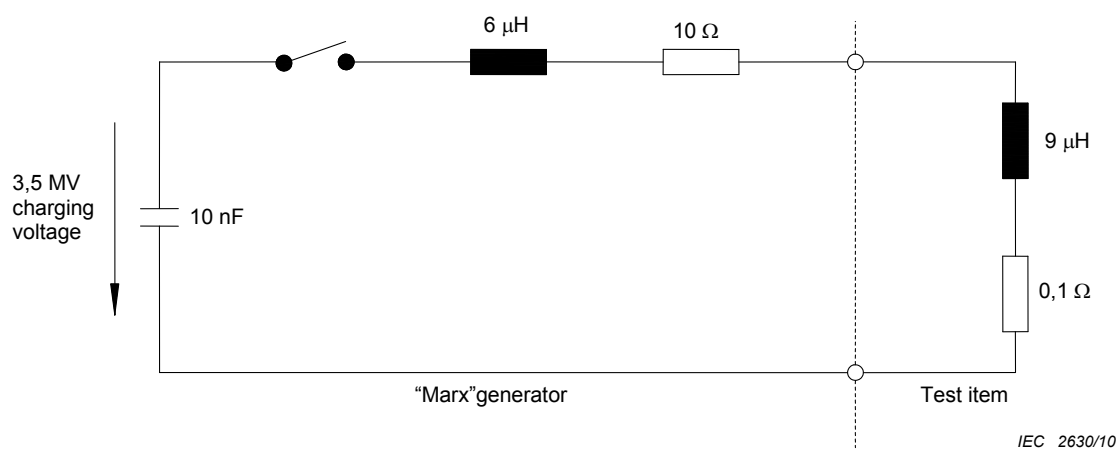
IEC 2628/10

Figure C.2 – Definition of the current steepness in accordance with Table C.3



NOTE These values apply to LPL I.

Figure C.3 – Example test generator for the simulation of the front steepness of the first positive impulse for large test items



NOTE These values apply to LPL I.

Figure C.4 – Example test generator for the simulation of the front steepness of the subsequent negative impulses for large test items

Annex D (informative)

Test parameters simulating the effects of lightning on LPS components

D.1 General

Annex D gives the basic parameters that may be used in a laboratory to simulate the effects of lightning. This annex covers all the components of an LPS subjected to all or a major part of the lightning current and may be used in conjunction with the standards specifying the requirements and the tests for each specific component.

NOTE Parameters relevant to system aspects (e.g. for the coordination of surge protective devices) are not considered in this annex.

D.2 Current parameters relevant to the point of strike

The lightning current parameters playing a role in the physical integrity of an LPS are in general the peak current I , the charge Q , the specific energy W/R , the duration T and the average steepness of the current di/dt . Each parameter tends to dominate a different failure mechanism, as analysed in detail below. The current parameters to be considered for tests are combinations of these values, selected to represent in laboratory the actual failure mechanism of the part of the LPS being tested. The criteria for the selection of the outstanding quantities are given in Clause D.5.

Table D.1 records the maximum values of I , Q , W/R , T and di/dt to be considered for tests, as a function of the protection level required.

Table D.1 – Summary of the lightning threat parameters to be considered in the calculation of the test values for the different LPS components and for the different LPL

Component	Main problem	Lightning threat parameters					Notes
Air-termination	Erosion at attachment point (e.g. thin metal sheets)	LPL	Q_{LONG_C}	T			
		I	200	<1 s (apply Q_{LONG} in a single shot)			
		II	150				
		III-IV	100				
Air-termination and down-conductor	Ohmic heating	LPL	W/R kJ/ Ω	T			Dimensioning with IEC 62305-3 render testing superfluous
		I	10 000	Apply W/R in an adiabatic configuration			
		II	5 600				
	III-IV	2 500					
	Mechanical effects	LPL	I kA	W/R kJ/ Ω			
		I	200	10 000			
II		150	5 600				
III-IV	100	2 500					
Connecting components	Combined effects (thermal, mechanical and arcing)	LPL	I kA	W/R kJ/ Ω	T		
		I	200	10 000	<2 ms (apply I and W/R in a single pulse)		
		II	150	5 600			
		III-IV	100	2 500			
Earth-terminations	Erosion at attachment point	LPL	Q_{LONG_C}	T			Dimensioning usually determined by mechanical / chemical aspects (corrosion etc.)
		I	200	<1 s (apply Q_{LONG} in a single shot)			
		II	150				
		III-IV	100				
SPDs containing spark gaps	Combined effects (thermal, mechanical and arcing)	LPL	I kA	Q_{SHORT_C}	W/R kJ/ Ω	di/dt kA/ μ s	Apply I , Q_{SHORT} and W/R in a single pulse (duration $T < 2$ ms); apply $\Delta i/\Delta t$ in a separate pulse
		I	200	100	10 000	200	
		II	150	75	5 600	150	
		III-IV	100	50	2 500	100	
SPDs containing metal-oxide resistor blocks	Energy effects (overload)	LPL	Q_{SHORT_C}				Both aspects need to be checked.
		I	100				
		II	75				
	Dielectric effect (flashover/cracking)	LPL	I kA	T			Separate tests can be considered
		I	200	<2 ms (apply I in a single pulse)			
		II	150				
III-IV	100						

D.3 Current sharing

The parameters given in the Table D.1 are relevant to the lightning current at the point of strike. In fact, the current flows to earth through more than one path, as several down-conductors and natural conductors are normally present in an external LPS. Additionally, different lines normally enter the protected structure (water and gas pipes, power and telecommunication lines, etc.). For the determination of the parameters of the actual current flowing in specific components of an LPS, the sharing of the current has to be taken into account. Preferably, current amplitude and shape through a component at a specific location of the LPS should be evaluated. Where an individual evaluation is not possible, the current parameters may be assessed by means of the following procedures.

For the evaluation of the current sharing within the external LPS, the configuration factor k_C (see Annex C of IEC 62305-3:2010) may be adopted. This factor provides an estimate of the share of the lightning current flowing in down-conductors of the external LPS under worst-case conditions.

For the evaluation of the current sharing in presence of external conductive parts and power and telecommunication lines connected to the protected structure, the approximate values of k_e and k'_e considered in Annex E may be adopted.

The above-described approach is applicable for the evaluation of the peak value of the current flowing in one particular path to earth. The calculation of the other parameters of the current is carried out as follows:

$$I_p = k \times I \quad (D.1)$$

$$Q_p = k \times Q \quad (D.2)$$

$$(W/R)_p = k^2 \times (W/R) \quad (D.3)$$

$$\left(\frac{di}{dt}\right)_p = k \times \left(\frac{di}{dt}\right) \quad (D.4)$$

where

x_p is the value of the quantity considered (peak current I_p , charge Q_p , specific energy $(W/R)_p$, current steepness $(di/dt)_p$) relevant to a particular path to earth "p";

x is the value of the quantity considered (peak current I , charge Q , specific energy (W/R) , current steepness (di/dt)) relevant to the total lightning current;

k is the current sharing factor:

- k_C for external LPS (see Annex C of IEC 62305-3:2010);
- k_e, k'_e in the presence of external conductive parts and power and telecommunication lines entering the protected structure (see Annex E).

D.4 Effects of lightning current causing possible damage

D.4.1 Thermal effects

Thermal effects linked with lightning current are relevant to the resistive heating caused by the circulation of an electric current flowing through the resistance of a conductor or into an LPS. Thermal effects are also relevant to the heat generated in the root of the arcs at the attachment point and in all the isolated parts of an LPS involved in arc development (e.g. spark gaps).

D.4.1.1 Resistive heating

Resistive heating takes place in any component of an LPS carrying a significant part of the lightning current. The minimum cross-sectional area of conductors must be sufficient to prevent overheating of the conductors to a level that would present a fire hazard to the surroundings. Despite the thermal aspects discussed in D.4.1, the mechanical withstand and durability criteria have to be considered for parts exposed to atmospheric conditions and/or corrosion. The evaluation of conductor heating due to lightning current flow is sometimes necessary when problems can arise because of the risk of personal injury and of fire or explosion damages.

Guidance is given below to evaluate the temperature rise of conductors subjected to the flow of a lightning current.

An analytical approach is presented as follows:

The instantaneous power dissipated as heat in a conductor due to an electrical current is expressed as:

$$P(t) = i^2(t) \times R \quad (\text{D.5})$$

The thermal energy generated by the complete lightning pulse is therefore the ohmic resistance of the lightning path through the LPS component considered, multiplied by the specific energy of the pulse. This thermal energy is expressed in units of Joules (J) or Watt-seconds (W×s).

$$W = R \times \int i^2(t) \times dt \quad (\text{D.6})$$

In a lightning discharge, the high specific energy phases of the lightning flash are too short in duration for any heat generated in the structure to be dispersed significantly. The phenomenon is therefore to be considered adiabatic.

The temperature of the conductors of the LPS can be evaluated as follows:

$$\theta - \theta_0 = \frac{1}{\alpha} \left[\exp\left(\frac{W}{q^2 \times \gamma \times C_w} \times \alpha \times \rho_0 \right) - 1 \right] \quad (\text{D.7})$$

Characteristic values of the physical parameters reported in Equation (D.7), for different materials used in the LPS are recorder in Table D.2 where

- $\theta - \theta_0$ is the temperature rise of the conductors (K);
- α is the temperature coefficient of the resistance (1/K);
- W/R is the specific energy of the current impulse (J/Ω);
- ρ_0 is the specific ohmic resistance of the conductor at ambient temperature (Ωm);
- q is the cross-sectional area of the conductor (m²);
- γ is the material density (kg/m³);
- C_w is the thermal capacity (J/kgK);
- C_s is the latent heat of melting (J/kg);
- θ_s is the melting temperature (°C).

Table D.2 – Physical characteristics of typical materials used in LPS components

Quantity	Material			
	Aluminium	Mild steel	Copper	Stainless steel ^a
$\rho_0(\Omega m)$	29×10^{-9}	120×10^{-9}	$17,8 \times 10^{-9}$	700×10^{-9}
$\alpha (1/K)$	$4,0 \times 10^{-3}$	$6,5 \times 10^{-3}$	$3,92 \times 10^{-3}$	$0,8 \times 10^{-3}$
$\gamma (kg/m^3)$	2 700	7 700	8 920	8 000
$\theta_s (^\circ C)$	658	1 530	1 080	1 500
$C_s (J/kg)$	397×10^3	272×10^3	209×10^3	–
$C_w (J/kgK)$	908	469	385	500

^a Austenitic non-magnetic.

Table D.3 reports, as an example of application of this equation, the temperature rise of conductors made of different materials, as a function of the W/R and of the conductor cross-sectional area.

Table D.3 – Temperature rise for conductors of different sections as a function of W/R

Cross-section mm ²	Material											
	Aluminium			Mild steel			Copper			Stainless steel ^a		
	W/R MJ/ Ω			W/R MJ/ Ω			W/R MJ/ Ω			W/R MJ/ Ω		
	2,5	5,6	10	2,5	5,6	10	2,5	5,6	10	2,5	5,6	10
4	–	–	–	–	–	–	–	–	–	–	–	–
10	564	–	–	–	–	–	169	542	–	–	–	–
16	146	454	–	1 120	–	–	56	143	309	–	–	–
25	52	132	283	211	913	–	22	51	98	940	–	–
50	12	28	52	37	96	211	5	12	22	190	460	940
100	3	7	12	9	20	37	1	3	5	45	100	190

^a Austenitic non-magnetic.

The typical lightning stroke is characterized by a short duration stroke (time to half value of a few 100 μs) and high current peak value. Under these circumstances, the skin effect should also be taken into consideration. However, in most of the practical cases linked with LPS components, the material characteristics (dynamic magnetic permeability of the LPS conductor) and the geometrical configurations (cross-sectional area of the LPS conductor) reduce the contribution of the skin effect to the temperature rise of the conductor to negligible levels.

The component of the lightning flash most relevant to this heating mechanism is the first return stroke.

D.4.1.2 Attachment point thermal damage

Attachment point thermal damage can be observed on all components of an LPS on which an arc development takes place, i.e. air-termination systems, spark gaps, etc.

Material melting and erosion can occur at the attachment point. In fact, in the arc root area there is a large thermal input from the arc root itself, as well as a concentration of ohmic heating due to the high current densities. Most of the thermal energy is generated at or very close to the surface of the metal. The heat generated in the immediate root area is in excess of that which can be absorbed into the metal by conduction and the excess is irradiated or lost in melting or vaporizing of metal. The severity of the process is linked to the current amplitude and to the duration.

D.4.1.2.1 General

Several theoretical models have been developed for the calculation of thermal effects on metal surfaces at the attachment point of a lightning channel. For sake of simplicity, this standard will report only the anode-or-cathode voltage drop model. The application of this model is particularly effective for thin metal skins. In all cases, it gives conservative results as it postulates that all the energy injected in the lightning attachment point is used to melt or vaporize conductor material, neglecting the heat diffusion within the metal. Other models introduce the dependence of the lightning attachment point damage on the duration of the current impulse.

D.4.1.2.2 Anode-or-cathode voltage drop model

The energy input W at the arc root is assumed as given by the anode/cathode voltage drop $u_{a,c}$ multiplied by the charge Q of the lightning current:

$$W = \int_0^{\infty} u_{a,c}(t) i(t) dt = u_{a,c} \int_0^{\infty} |i(t)| dt \quad (D.8)$$

As $u_{a,c}$ is fairly constant in the current range considered here, the charge of the lightning current (Q) is primarily responsible for the energy conversion in the arc root.

The anode-or-cathode voltage drop $u_{a,c}$ has a value of a few tens of volts.

A simplified approach assumes that all of the energy developed at the arc root is used only for melting. Equation (D.9) uses this assumption but leads to an overestimate of the melted volume.

$$V = \frac{u_{a,c} \times Q}{\gamma} \cdot \frac{1}{C_w \times (\theta_s - \theta_u) + C_s} \quad (D.9)$$

where

- V is the volume of metal melted (m^3);
- $u_{a,c}$ is the anode-or-cathode voltage drop (assumed as constant) (V);
- Q is the charge of the lightning current (C);
- γ is the material density (kg/m^3);
- C_w is the thermal capacity (J/kgK);
- θ_s is the melting temperature ($^{\circ}C$);
- θ_u is the ambient temperature ($^{\circ}C$);
- C_s is the latent heat of melting (J/kg).

Characteristic values of the physical parameters reported in this equation, for different materials used in an LPS, are recorded in Table D.2.

Basically, the charge to be considered is the sum of the charge of the return stroke and the lightning continuing current. Laboratory experience has revealed that the effects of the return stroke charge are of minor importance when compared to the effects of the continuing current.

D.4.2 Mechanical effects

Mechanical effects caused by the lightning current depend on the amplitude and the duration of the current as well as on the elastic characteristics of the affected mechanical structure. Mechanical effects also depend on the friction forces acting between parts of the LPS in contact with one another, where relevant.

D.4.2.1 Magnetic interaction

Magnetic forces occur between two current-carrying conductors or, if only one current-carrying conductor exists, where it forms a corner or a loop.

When a current flows through a circuit, the amplitude of the electrodynamic forces developed at the various positions of the circuit depend on both the amplitude of the lightning current and the geometrical configuration of the circuit. The mechanical effect of these forces, however, depends not only on their amplitude but also on the general form of the current, its duration, as well as on the geometrical configuration of the installation.

D.4.2.1.1 Electrodynamic forces

Electrodynamic forces developed by a current, i , flowing in a conductor having long parallel sections of length l and distance d (long and small loop), as shown in Figure D.1, can be approximately calculated using the following equation:

$$F(t) = \frac{\mu_0}{2\pi} \times i^2(t) \times \frac{l}{d} = 2 \times 10^{-7} \times i^2(t) \times \frac{l}{d} \tag{D.10}$$

where

$F(t)$ is the electrodynamic force (N);

i is the current (A);

μ_0 is the magnetic permeability of free space (vacuum) ($4\pi \times 10^{-7}$ H/m);

l is the length of conductors (m);

d is the distance between the straight parallel sections of the conductor (m).

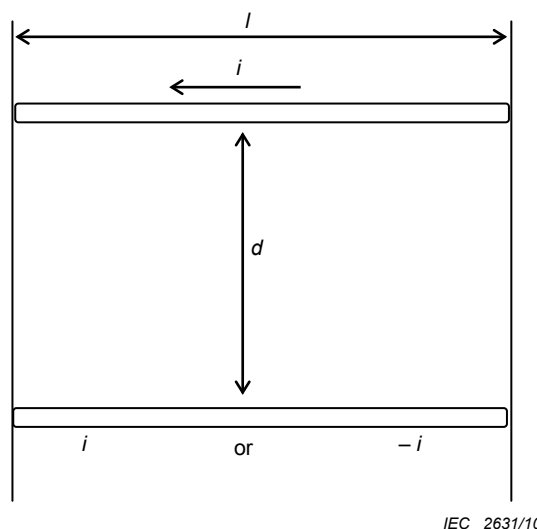
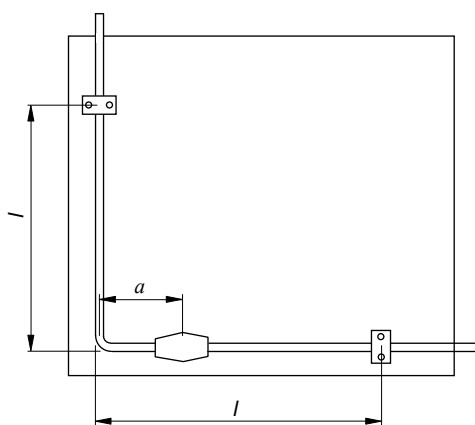


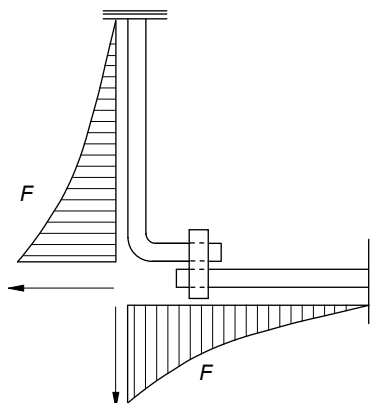
Figure D.1 – General arrangement of two conductors for the calculation of electrodynamic force

In an LPS an example is given by a symmetric corner arrangement of conductors, forming an angle of 90° , with a clamp positioned in the vicinity of the corner as shown in Figure D.2. The diagram of the stresses for this configuration is reported in Figure D.3. The axial force on the horizontal conductor tends to pull the conductor out of the clamp. The numerical value of the force along the horizontal conductor, considering a peak current value of 100 kA and a length of a vertical conductor of 0,5 m, is shown in Figure D.4.



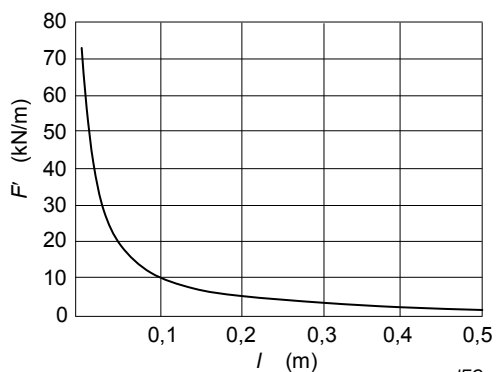
IEC 2632/10

Figure D.2 – Typical conductor arrangement in an LPS



IEC 2633/10

Figure D.3 – Diagram of the stresses F for the configuration of Figure D.2



IEC 2634/10

NOTE The peak current value is 100 kA and the length of the vertical conductor is 0,5 m.

Figure D.4 – Force per unit length F' along the horizontal conductor of Figure D.2

D.4.2.1.2 Effects of electrodynamic forces

In terms of amplitude of applied force, the instantaneous value of the electrodynamic force $F(t)$ is proportional to the square of the instantaneous current $i(t)^2$. In terms of the stress

development within the mechanical LPS structure, expressed by the product of the elastic deformation $\delta(t)$ and the elastic constant k of the LPS structure, two effects should be considered. The natural mechanical frequency (linked with the elastic behaviour of the LPS structure) and the permanent deformation of the LPS structure (linked with its plastic behaviour) are the most important parameters. Moreover, in many cases the effect of the friction forces within the structure are also of significant importance.

The amplitude of the vibrations of the elastic LPS structure, caused by an electrodynamic force developed by the lightning current, can be evaluated by means of second order differential equations; the key factor is the ratio between the duration of the current impulse and the period of natural mechanical oscillation of the LPS structure. The typical condition encountered in LPS applications consists of natural oscillation periods of the structure much longer than that of the applied force (duration of the lightning current impulse). In this case the maximum mechanical stress occurs after the cessation of the current impulse and has a peak value that remains lower than that of the applied force. In most cases, maximum mechanical stress can be neglected.

Plastic deformation occurs when the tensile stress exceeds the elastic limit of the material. If the material composing the LPS structure is soft, for example aluminium or annealed copper, the electrodynamic forces can deform the conductors in corners and loops. LPS components should therefore be designed to withstand these forces and to show essentially an elastic behaviour.

The total mechanical stress applied to the LPS structure depends on the time integral of the applied force and therefore on the specific energy associated with the current impulse. It also depends on the shape of the current impulse and its duration (compared with the period of natural oscillation of the structure). All these influencing parameters must therefore be taken into account during testing.

D.4.2.2 Acoustic shock wave damage

When a lightning current flows in an arc a shock wave is produced. The severity of the shock is dependent upon the peak current value and the rate of rise of the current.

In general, the damage due to the acoustic shock wave is insignificant on metal parts of the LPS but can cause damage to surrounding items.

D.4.3 Combined effects

In practice, both thermal and mechanical effects occur simultaneously. If the heating of the material of the components (rods, clamps, etc.) is sufficient to soften the materials, much greater damage can occur than otherwise. In extreme cases, the conductor could explosively fuse and cause considerable damage to the surrounding structure. If the cross-section of the metal is sufficient to safely handle the overall action, only mechanical integrity need be checked.

D.4.4 Sparking

Sparking is generally important only in flammable environments or in the presence of combustible materials. In most practical cases, sparking is not important for LPS components.

Two different types of sparking can occur, i.e. thermal sparking and voltage sparking. Thermal sparking occurs when a very high current is forced to cross a joint between two conducting materials. Most thermal sparking occur near the edges inside a joint if the interface pressure is too low; this is due primarily to high current density and inadequate interface pressure. The intensity of the thermal sparking is linked to the specific energy and therefore, the most critical phase of the lightning is the first return stroke. Voltage sparking occurs where the current is forced to take convoluted paths, e.g. inside a joint, if the voltage induced in such a loop exceeds the breakdown voltage between the metal parts. The induced voltage is proportional to

the self inductance multiplied by the steepness of the lightning current. The most critical lightning component for voltage sparking is therefore the subsequent negative stroke.

D.5 LPS components, relevant problems and test parameters

D.5.1 General

Lightning protection systems are made of several different components, each having a specific function within the system. The nature of the components and the specific stresses to which they are subjected, require special consideration when setting up laboratory tests to check their performance.

D.5.2 Air termination

Effects on air-termination systems arise from both mechanical and thermal effects (as discussed below in D.5.3, but noting that a high proportion of the lightning current will flow in an air-termination conductor which is struck) and also, in some cases, arc erosion effects, particularly in natural LPS components such as thin metal roof or wall skins (where puncture or excessive rear surface temperature rise may occur) and suspended conductors.

For arc erosion effects, two main test parameters should be considered, i.e. the charge of the long duration current and its duration.

The charge governs the energy input at the arc root. In particular, long duration strokes appear to be the most severe for this effect whilst short duration strokes can be neglected.

The duration of the current has an important role in the heat transfer phenomena into the material. The duration of the current applied during the tests should be comparable to those of long duration strokes (0,5 s to 1 s).

D.5.3 Down-conductors

Effects on down-conductors caused by lightning can be divided into two main categories:

- thermal effects due to resistive heating;
- mechanical effects linked with the magnetic interaction where the lightning current is shared by conductors positioned in the vicinity of one another or when the current changes direction (bends or connections between conductors positioned at a given angle with respect to one another).

In most cases, these two effects act independently from each other and separate laboratory tests can be carried out to check each effect from the other. This approach can be adopted in all cases in which the heating developed by the lightning current flow does not modify substantially the mechanical characteristics.

D.5.3.1 Resistive heating

Calculations and measurements relating to the heating of conductors of different cross-sections and materials due to lightning current flowing along a conductor have been published by several authors. The main results in terms of plots and formulae are summarized in D.4.1.1. No laboratory test is therefore necessary, in general, to check the behaviour of a conductor with respect to temperature rise.

In all cases for which a laboratory test is required, the following considerations shall be taken into account:

- the main test parameters to be considered are the specific energy and the impulse current duration;

- the specific energy governs the temperature rise due to the Joule heating caused by the flow of the lightning current. Numerical values to be considered are those relevant to the first stroke. Conservative data are obtained by considering positive strokes;
- the impulse current duration has a decisive influence on the heat exchange process with respect to the ambient conditions surrounding the considered conductor. In most cases the duration of the impulse current is so short that the heating process can be considered to be adiabatic.

D.5.3.2 Mechanical effects

As discussed in D.4.2.1, mechanical interactions are developed between conductors carrying lightning current. The force is proportional to the product of the currents flowing in the conductors (or to the square of the current if a single bent conductor is considered) and is linked with the inverse of the distance between the conductors.

The usual situation in which a visible effect can occur is when a conductor forms a loop or is bent. When such a conductor carries the lightning current, it will be subjected to a mechanical force which tries to extend the loop and to straighten the corner and thus to bend it outward. The magnitude of this force is proportional to the square of the current amplitude. A clear distinction should be made, however, between the electrodynamic force, which is proportional to the square of the current amplitude, and the corresponding stress dependent on the elastic characteristics of the mechanical LPS structure. For LPS structures of relatively low natural frequencies, the stress developed within the LPS structure would be considerably lower than the electrodynamic force. In this case, no laboratory test is necessary to check the mechanical behaviour of a conductor bent at a right-angle as long as the cross-sectional areas of the present standard requirements are fulfilled.

In all cases for which a laboratory test is required (especially for soft materials), the following considerations should be taken into account. Three parameters of the first return stroke are to be considered: the duration, the specific energy of the impulse current and, in the case of rigid systems, the amplitude of the current.

The duration of the impulse current, compared with the period of the natural mechanical oscillation of the LPS structure, governs the type of mechanical response of the system in terms of displacement:

- If the duration of the impulse is much shorter than the period of natural mechanical oscillation of the LPS structure (normal case for LPS structures stressed by lightning impulses), the mass and elasticity of the system prevents it from being displaced appreciably and the relevant mechanical stress is essentially related to the specific energy of the current impulse. The peak value of the impulse current has a limited effect.
- If the duration of the impulse is comparable with or higher than the period of natural mechanical oscillation of the structure, the displacement of the system is more sensitive to the shape of the applied stress. In this case, the peak value of the current impulse and its specific energy needs to be reproduced during the test.

The specific energy of the impulse current governs the stress causing the elastic and plastic deformation of the LPS structure. Numerical values to be considered are those relevant to the first stroke.

The maximum values of the impulse current govern the length of the maximum displacement of the LPS structure, in case of rigid systems having high natural oscillation frequencies. Numerical values to be considered are those relevant to the first stroke.

D.5.3.3 Connecting components

Connecting components between adjacent conductors of an LPS are possible points of mechanical and thermal weakness where very high stresses occur.

In the case of a connector placed in such a manner as to make the conductor follow a right angle, the main effects of the stresses are linked with mechanical forces which tend to straighten the conductor set and overcome the friction forces between the connecting component and the conductors, thus pulling the connection apart. The development of arcs at the points of contact of the different parts is possible. Moreover, the heating effect caused by the concentration of current over small contact surfaces has a notable effect.

Laboratory tests have shown that it is difficult to separate each effect from the others as a complex synergism takes place. Mechanical strength is affected by local melting of the area of contact. Relative displacements between parts of the connection components promote the development of arcs and the consequential intense heat generation.

In the absence of a valid model, laboratory tests should be conducted in such a way as to represent as closely as possible the appropriate parameters of the lightning current in the most critical situation, i.e. the appropriate parameters of the lightning current shall be applied by means of a single electrical test.

Three parameters should be considered in this case: the peak value, the specific energy and the duration of the impulse current.

The maximum values of the impulse current govern the maximum force, or, if and after the electrodynamic pulling force exceeds the friction force, the length of the maximum displacement of the LPS structure. Numerical values to be considered are those relevant to the first stroke. Conservative data are obtained by considering positive strokes.

The specific energy of the current impulse governs the heating at contact surfaces where the current is concentrated over small areas. Numerical values to be considered are those relevant to the first stroke. Conservative data are obtained by considering positive strokes.

The duration of the impulse current governs the maximum displacement of the structure after friction forces are exceeded and has an important role in the heat transfer phenomena into the material.

D.5.3.4 Earth-termination

The real problems with earth-termination electrodes are linked with chemical corrosion and mechanical damage caused by forces other than electrodynamic forces. In practical cases, erosion of the earth electrode at the arc root is of minor importance. It is, however, to be considered that, contrary to air-terminations, a typical LPS has several earth-terminations. The lightning current will be shared between several earthing electrodes, thus causing less important effects at the arc root. Two main test parameters should be considered in this case:

- the charge governs the energy input at the arc root. In particular, the contribution of the first stroke can be neglected since long duration strokes appear to be the most severe for this component;
- the duration of the current impulse has an important role in the heat transfer phenomena into the material. The duration of the current impulses applied during the testing should be comparable to those of long duration strokes (0,5 s to 1s).

D.6 Surge protective device (SPD)

D.6.1 General

The effects of the stress on an SPD caused by lightning depend on the type of SPD considered, with particular reference to the presence or absence of a gap.

D.6.2 SPD containing spark gaps

Effects on spark gaps caused by lightning can be divided into two major categories:

- the erosion of the gap electrodes by heating, melting and vaporizing of material;
- the mechanical stress caused by the shock wave of the discharge.

It is extremely difficult to investigate separately these effects, as both are linked with the main lightning current parameters by means of complex relationships.

For spark gaps, laboratory tests shall be conducted in such a way as to represent as closely as possible the appropriate parameters of the lightning current in the most critical situation, i.e. all the appropriate parameters of the lightning current shall be applied by means of a single electrical stress.

Five parameters shall be considered in this case: the peak value, the charge, the duration, the specific energy and the rate of rise of the impulse current.

The current peak value governs the severity of the shockwave. Numerical values to be considered are those relevant to the first stroke. Conservative data are obtained by considering positive strokes.

The charge governs the energy input in the arc. The energy in the arc will heat up, melt and possibly vaporize part of the electrode material at the attachment point of the arc. Numerical values to be considered are those relevant to the whole lightning flash. However, the charge of the long duration current can be neglected in many cases, depending on the configuration of the power supply system (TN, TT or IT).

The duration of the impulse current governs the heat transfer phenomena into the mass of the electrode and the resulting propagation of the melt front.

The specific energy of the current impulse governs the self-magnetic compression of the arc and the physics of the electrode plasma jets developed at the interface between the electrode surface and the arc (which can blow out a significant amount of molten material). Numerical values to be considered are those relevant to the first stroke. Conservative data are obtained by considering positive strokes.

NOTE For spark gaps used on power supply systems, the possible power frequency follow current amplitude constitutes an important stress factor, which must be taken into consideration.

D.6.3 SPD containing metal-oxide varistors

Stress to metal-oxide varistors caused by lightning can be divided into two main categories: overload and flashover. Each category is characterized by failure modes generated by different phenomena and governed by different parameters. The failure of a metal-oxide SPD is linked with its weakest characteristics and therefore it is unlikely that synergism between different fatal stresses can occur. It appears, therefore, to be acceptable to carry out separate tests to check the behaviour under each failure mode condition.

Overloads are caused by an amount of absorbed energy exceeding the capabilities of the device. The excessive energy considered here is related to the lightning stress itself. However, for SPDs installed on power supply systems, the follow current injected in the device by the power system immediately after the cessation of the lightning current flow can also play an important role in the fatal damage of the SPD. Finally, an SPD can be fatally damaged by thermal instability under the applied voltage related to the negative temperature coefficient of the volt-ampere characteristics of the resistors. For the overload simulation of metal-oxide varistors, one main parameter is to be considered: the charge.

The charge governs the energy input into the metal-oxide resistor block, considering as a constant the residual voltage of the metal-oxide resistor block. Numerical values to be considered are those relevant to the lightning flash.

Flashovers and cracking are caused by the amplitude of current impulses exceeding the capabilities of the resistors. This failure mode is generally evidenced by an external flashover along the collar, sometimes penetrating into the resistor block causing a crack or a hole perpendicular to the collar. The failure is mainly linked with a dielectric collapse of the collar of the resistor block.

For the simulation of this lightning phenomenon, two main parameters should be considered: the maximum value and the duration of the impulse current.

The maximum value of the impulse current determines, through the corresponding level of residual voltage, whether the maximum dielectric strength on the resistor collar is exceeded. Numerical values to be considered are those relevant to the first stroke. Conservative data are obtained by considering positive strokes.

The duration of the impulse current governs the duration of application of the dielectric stress on the resistor collar.

D.7 Summary of the test parameters to be adopted in testing LPS components

Table D.1 summarizes the most critical aspects of each LPS component during the performance of its function and gives the parameters of the lightning current to be reproduced in laboratory tests.

The numerical values given in Table D.1 are relevant to the lightning parameters of importance at the point of strike.

Test values should be calculated considering the current sharing which can be expressed by means of the current sharing factor, as discussed in Clause D.3.

The numerical values of the parameters to be used during the tests can therefore be calculated on the base of the data given in Table D.1, applying the reduction factors linked with current sharing, as expressed by the formulae reported in Clause D.3.

Annex E (informative)

Surges due to lightning at different installation points

E.1 Overview

For dimensioning of conductors, SPDs and apparatus, the threat due to surges at the particular installation point of these components should be determined. Surges can arise from (partial) lightning currents and from induction effects into installation loops. The threat due to these surges must be lower than the withstand levels of the components used (defined by adequate tests as necessary).

E.2 Surges due to flashes to the structure (source of damage S1)

E.2.1 Surges flowing through external conductive parts and lines connected to the structure

When conducted to earth, the lightning current is divided between the earth-termination system, the external conductive parts and the lines, directly or via SPDs connected to them.

If $I_F = k_e \times I$ (E.1)

is the part of the lightning current relevant to each external conductive part or line, then the current sharing factor k_e depends on:

- the number of parallel paths;
- their conventional earthing impedance for underground parts, or their earth resistance, where overhead parts connect to underground, for overhead parts;
- the conventional earthing impedance of the earth-termination system.

- for underground installation
$$k_e = \frac{Z}{Z_1 + Z \times (n_1 + n_2 \times \frac{Z_1}{Z_2})}$$
 (E.2)

- for overhead installation
$$k_e = \frac{Z}{Z_2 + Z \times (n_2 + n_1 \times \frac{Z_2}{Z_1})}$$
 (E.3)

where

Z is the conventional earthing impedance of the earth-termination system;

Z_1 is the conventional earthing impedance of the external parts or lines (Table E.1) running underground;

Z_2 is the earth resistance of the earthing arrangement connecting the overhead line to ground. If the earth resistance of the earthing point is not known, the value of Z_1 shown in Table E.1 may be used (where the resistivity is relevant to the earthing point).

NOTE 1 This value is assumed in the above formula to be the same for each earthing point. If this is not the case, more complex equations need to be used.

n_1 is the overall number of external parts or lines running underground;

n_2 is the overall number of external parts or lines running overhead;

I is the lightning current relevant to the lightning protection level (LPL) considered.

Assuming as a first approximation that one half of the lightning current flows in the earth-termination system and that $Z_2 = Z_1$, the value of k_e may be evaluated for an external conductive part or line by:

$$k_e = 0,5 / (n_1 + n_2) \quad (\text{E.4})$$

If entering lines (e.g. electrical and telecommunication lines) are unshielded or not routed in metal conduit, each of the n' conductors of the line carries an equal part of the lightning current

$$k'_e = k_e / n' \quad (\text{E.5})$$

n' being the total number of conductors.

For shielded lines bonded at the entrance, the values of current sharing factor k'_e for each of the n' conductors of a shielded line are given by:

$$k'_e = k_e \times R_S / (n' \times R_S + R_C) \quad (\text{E.6})$$

where

R_S is the ohmic resistance per unit length of shield;

R_C is the ohmic resistance per unit length of inner conductor.

NOTE 2 This formula may underestimate the role of the shield in diverting lightning current due to mutual inductance between core and shield.

Table E.1 – Conventional earthing impedance values Z and Z_1 according to the resistivity of the soil

ρ Ωm	Z_1^a Ω	Conventional earthing impedance related to the type of LPS ^b		
		Z Ω		
		I	II	III – IV
≤100	8	4	4	4
200	11	6	6	6
500	16	10	10	10
1 000	22	10	15	20
2 000	28	10	15	40
3 000	35	10	15	60

NOTE Values reported in this table refer to the conventional earthing impedance of a buried conductor under impulse condition (10/350 μs).

^a Values referred to external parts length over 100 m. For length of external parts lower than 100 m in high resistivity soil (> 500 Ωm) values of Z_1 could be doubled.

^b Earthing system complying with 5.4 of IEC 62305-3:2010.

E.2.2 Factors influencing the sharing of the lightning current in power lines

For detailed calculations, several factors can influence the amplitude and the shape of such surges:

- the cable length can influence current sharing and shape characteristics due to the L/R ratio;
- different impedances of neutral and phase conductors can influence current sharing among line conductors;

NOTE 1 For example, if the neutral (N) conductor has multiple earths, the lower impedance of N compared with phase conductors L_1 , L_2 , and L_3 could result in 50 % of the current flowing through the N conductor with

the remaining 50 % being shared by the other 3 phase conductors (17 % each). If N, L₁, L₂, and L₃ have the same impedance, each conductor will carry approximately 25 % of the current.

- different transformer impedances can influence current sharing (this effect is negligible, if the transformer is protected by SPDs bypassing its impedance);
- the relation between the conventional earthing resistances of the transformer and the items on the load side can influence current sharing (the lower the transformer impedance, the higher is the surge current flowing into the low voltage system);
- parallel consumers cause a reduction of the effective impedance of the low voltage system; this may increase the partial lightning current flowing into this system.

NOTE 2 Refer to Annex D of IEC 62305-4:2010 for more information.

E.3 Surges relevant to lines connected to the structure

E.3.1 Surges due to flashes to lines (source of damage S3)

For direct lightning flashes to connected lines, partitioning of the lightning current in both directions of the line and the breakdown of insulation should be taken into account.

The selection of the I_{imp} value can be based on values given in Tables E.2 and E.3 for low-voltage systems and Table E.3 for telecommunication systems where the preferred values of I_{imp} are associated with the lightning protection level (LPL).

Table E.2 – Expected surge overcurrents due to lightning flashes on low-voltage systems

LPL (class)	Low-voltage systems			
	Direct and indirect flashes to the service		Flash near the structure ^a	Flash to the structure ^a
	Source of damage S3 (direct flash) ^b	Source of damage S4 (indirect flash) ^c	Source of damage S2 (induced current)	Source of damage S1 (induced current)
	Current shape: 10/350 μs kA	Current shape: 8/20 μs kA	Current shape: ^d 8/20 μs kA	Current shape: ^d 8/20 μs kA
III - IV	5	2,5	0,1	5
II	7,5	3,75	0,15	7,5
I	10	5	0,2	10

NOTE All values refer to each line conductor.

- ^a Loop conductors routing and distance from inducing current affect the values of expected surge overcurrents. Values in Table E.2 refer to short-circuited, unshielded loop conductors with different routing in large buildings (loop area in the order of 50 m², width = 5 m), 1 m apart from the structure wall, inside an unshielded structure or building with LPS ($k_C = 0,5$). For other loop and structure characteristics, values should be multiplied by factors K_{S1} , K_{S2} , K_{S3} (see Clause B.4 of IEC 62305-2:2010).
- ^b Values relevant to the case of the strike to the last pole of the line close to the consumer and multiconductor (three phase + neutral) line.
- ^c Values referred to overhead lines. For buried lines values can be halved.
- ^d Loop inductance and resistance affect the shape of the induced current. Where the loop resistance is negligible, the shape 10/350 μs should be assumed. This is the case where a switching type SPD is installed in the induced circuit.

Table E.3 – Expected surge overcurrents due to lightning flashes on telecommunication systems

LPL (class)	Telecommunication systems ^a			
	Direct and indirect flashes to the service		Flash near the structure ^b	Flash to the structure ^b
	Source of damage S3 (direct flash) ^c Current shape: 10/350 μ s kA	Source of damage S4 (indirect flash) ^d Current shape: 8/20 μ s kA	Source of damage S2 (induced current) Current shape 8/20 μ s kA	Source of damage S1 (induced current) Current shape: 8/20 μ s kA
III - IV	1	0,035	0,1	5
II	1,5	0,085	0,15	7,5
I	2	0,160	0,2	10

NOTE All values refer to each line conductor.

^a Refer to ITU-T Recommendation K.67 ^[6] for more information.

^b Loop conductors routing and distance from inducing current affect the values of expected surge overcurrents. Values in Table E.3 refer to short-circuited, unshielded loop conductors with different routing in large buildings (loop area in the order of 50 m², width = 5 m), 1 m apart from the structure wall, inside an unshielded structure or building with LPS ($k_c = 0,5$). For other loop and structure characteristics, values should be multiplied by factors K_{S1} , K_{S2} , K_{S3} (see Clause B.4 of IEC 62305-2:2010).

^c Values referred to unshielded lines with many pairs. For an unshielded drop wire, values could be 5 times higher.

^d Values referred to overhead unshielded lines. For buried lines values can be halved.

For shielded lines, the values of the overcurrents given in Table E.2 can be reduced by a factor of 0,5.

NOTE It is assumed that the resistance of the shield is approximately equal to the resistance of all line conductors in parallel.

E.3.2 Surges due to flashes near the lines (source of damage S4)

Surges from flashes near lines have energies much lower than those associated with flashes to lines (source of damage S3).

Expected overcurrents, associated with a specific lightning protection level (LPL) are given in Tables E.2 and E.3.

For shielded lines the values of overcurrents given in Tables E.2 and E.3 can be reduced by a factor 0,5.

E.4 Surges due to induction effects (source of damage S1 or S2)

E.4.1 General

Surges due to induction effects from magnetic fields, generated either from nearby lightning flashes (source S2) or from lightning current flowing in the external LPS or the spatial shield of LPZ 1 (source S1) have a typical current shape of 8/20 μ s. Such surges are to be considered close to or at the terminal of apparatus inside LPZ 1 and at the boundary of LPZ 1/2.

E.4.2 Surges inside an unshielded LPZ 1

Inside an unshielded LPZ 1 (e.g. protected only by an external LPS according to IEC 62305-3 with mesh width greater than 5 m) relatively high surges are to be expected due to the induction effects from the undamped magnetic field.

Expected overcurrents, associated with a specific lightning protection level (LPL) are given in Tables E.2 and E.3.

E.4.3 Surges inside shielded LPZs

Inside LPZs with effective spatial shielding (requiring mesh width below 5 m according to Annex A of IEC 62305-4:2011), the generation of surges due to induction effects from magnetic fields is strongly reduced. In such cases the surges are much lower than those given in E.4.2.

Inside LPZ 1 the induction effects are lower due to the damping effect of its spatial shield.

Inside LPZ 2 the surges are further reduced due to the cascaded effect of both spatial shields of LPZ 1 and LPZ 2.

E.5 General information relating to SPDs

The use of SPDs depends on their withstand capability, classified in IEC 61643-1^[7] for power and in IEC 61643-21^[8] for telecommunication systems.

SPDs to be used according to their installation position are as follows:

- a) At the line entrance into the structure (at the boundary of LPZ 1, e.g. at the main distribution board MB):
 - SPD tested with I_{imp} (typical current shape 10/350), e.g. SPD tested according to Class I;
 - SPD tested with I_n (typical current shape 8/20), e.g. SPD tested according to Class II.
- b) Close to the apparatus to be protected (at the boundary of LPZ 2 and higher, e.g. at a secondary distribution board SB, or at a socket outlet SA):
 - SPD tested with I_{imp} (typical current shape 10/350), e.g. SPD tested according to Class I for power SPDs);
 - SPD tested with I_n (typical current shape 8/20), e.g. SPD tested according to Class II);
 - SPD tested with a combination wave (typical current current shape 8/20), e.g. SPD tested according to Class III.

Bibliography

- [1] IEC 60664-1:2007, *Insulation coordination for equipment within low-voltage systems – Part 1: Principles, requirements and tests*
- [2] IEC 61000-4-5, *Electromagnetic compatibility (EMC) – Part 4-5: Testing and measurement techniques – Surge immunity test*
- [3] BERGER K., ANDERSON R.B., KRÖNINGER H., *Parameters of lightning flashes*. CIGRE Electra No 41 (1975), p. 23 – 37
- [4] ANDERSON R.B., ERIKSSON A.J., *Lightning parameters for engineering application*. CIGRE Electra No 69 (1980), p. 65 – 102
- [5] IEEE working group report, *Estimating lightning performance of transmission lines- Analytical models*. IEEE Transactions on Power Delivery, Volume 8, n. 3, July 1993
- [6] ITU-T Recommendation K.67, *Expected surges on telecommunications and signalling networks due to lightning*
- [7] IEC 61643-1, *Low-voltage surge protective devices – Part 1: Surge protective devices connected to low-voltage power distribution systems – Requirements and tests*
- [8] IEC 61643-21, *Low-voltage surge protective devices – Part 21: Surge protective devices connected to telecommunications and signalling networks – Performance requirements and testing methods*

SOMMAIRE

AVANT-PROPOS	71
INTRODUCTION	73
1 Domaine d'application	75
2 Références normatives	75
3 Termes et définitions	75
4 Paramètres du courant de foudre	81
5 Dommages dus à la foudre	82
5.1 Dommages sur la structure	82
5.1.1 Effets de la foudre sur la structure	82
5.1.2 Sources et types de dommages pour une structure	83
5.2 Types de pertes	84
6 Nécessité et justification économique d'une protection contre la foudre	86
6.1 Nécessité d'une protection contre la foudre	86
6.2 Justification économique d'une protection contre la foudre	87
7 Mesures de protection	87
7.1 Généralités	87
7.2 Mesures de protection destinées à réduire les blessures des êtres vivants par choc électrique	87
7.3 Mesures de protection pour réduire les dommages physiques	88
7.4 Mesures de protection pour réduire les défaillances des réseaux de puissance et de communication	88
7.5 Choix des mesures de protection	88
8 Critère de base pour la protection des structures et des services	89
8.1 Généralités	89
8.2 Niveaux de protection contre la foudre (NPF)	89
8.3 Zones de protection contre la foudre (ZPF)	91
8.4 Protection des structures	93
8.4.1 Protection contre les dommages physiques et le danger de mort	93
8.4.2 Protection contre les défaillances des réseaux internes	94
Annexe A (informative) Paramètres du courant de foudre	96
Annexe B (informative) Fonctions temporelles du courant de foudre à des fins d'analyse	107
Annexe C (informative) Simulation du courant de foudre aux fins d'essais	113
Annexe D (informative) Paramètres d'essais simulant les effets de la foudre sur les composants des systèmes de protection contre la foudre (SPF)	117
Annexe E (informative) Chocs dus à la foudre en divers points de l'installation	132
Bibliographie	137
Figure 1 – Articulation entre les différentes parties de la CEI 62305	74
Figure 2 – Types de pertes et risques correspondants dus à différents types de dommages	86
Figure 3 – Zones de protection contre la foudre (ZPF) définies par un SPF (CEI 62305-3)	92
Figure 4 – ZPF définies par une MPF (CEI 62305-4)	93
Figure A.1 – Définition des paramètres de courant de choc (généralement $T_2 < 2$ ms)	96

Figure A.2 – Définitions des paramètres d'un choc long (généralement $2 \text{ ms} < T_{\text{LONG}} < 1 \text{ s}$)	97
Figure A.3 – Composantes possibles d'éclairs descendants (typiques en plaine et sur des structures peu élevées)	97
Figure A.4 – Composantes possibles d'éclairs ascendants (typiques sur des structures exposées et/ou élevées).....	98
Figure A.5 – Fréquence de distribution cumulative des paramètres du courant de foudre (valeurs de 95 % à 5 %)	103
Figure B.1 – Forme de la montée du courant du premier choc positif	108
Figure B.2 – Forme du courant sur la queue du premier choc positif	109
Figure B.3 – Forme de la montée du courant du premier choc négatif	109
Figure B.4 – Forme du courant sur la queue du premier choc négatif	110
Figure B.5 – Forme de la montée du courant des chocs négatifs subséquents	111
Figure B.6 – Forme du courant sur la queue des chocs négatifs subséquents	111
Figure B.7 – Densité du courant de foudre pour le niveau de protection I	112
Figure C.1 – Exemple de générateur d'essai pour la simulation de l'énergie spécifique du premier choc positif et pour la charge du coup de foudre de longue durée.....	114
Figure C.2 – Définition de la raideur du courant conformément au Tableau C.3.....	115
Figure C.3 – Exemple de générateur d'essai pour la simulation de la raideur du front du premier coup de foudre court pour des appareils d'essais importants.....	116
Figure C.4 – Exemple de générateur d'essai pour la simulation de la raideur du front des chocs négatifs subséquents pour des appareils d'essais importants	116
Figure D.1 – Disposition générale de deux conducteurs pour le calcul des forces électrodynamiques	124
Figure D.2 – Disposition typique des conducteurs d'une installation de protection contre la foudre	124
Figure D.3 – Diagramme des contraintes F pour la configuration de la Figure D.2	125
Figure D.4 – Force par unité de longueur F' le long du conducteur horizontal de la Figure D.2.....	125
Tableau 1 – Effets de la foudre sur des structures habituelles.....	82
Tableau 2 – Dommages et pertes en divers points d'impact de la foudre.....	85
Tableau 3 – Valeurs maximales des paramètres de foudre correspondant aux niveaux de protection contre la foudre.....	90
Tableau 4 – Valeurs minimales des paramètres de foudre et rayon de sphère fictive associé correspondant aux niveaux de protection	90
Tableau 5 – Probabilités des limites des paramètres du courant de foudre.....	91
Tableau A.1 – Valeurs des paramètres du courant de foudre de la CIGRE (Electra n° 41 ou n° 69) [3], [4]	100
Tableau A.2 – Distribution logarithmique normale des paramètres de courant de foudre – Valeurs moyennes μ et log de dispersion σ_{\log} calculés à partir des valeurs pour 95 % et 5 % du CIGRE (Electra n° 41 ou n° 69) [3], [4]	101
Tableau A.3 – Valeurs de probabilité P comme fonction du courant de foudre I	102
Tableau B.1 – Paramètres pour l'Equation (B.1)	107
Tableau C.1 – Paramètres d'essai du premier choc positif	114
Tableau C.2 – Paramètres d'essais du coup de foudre de longue durée.....	114
Tableau C.3 – Paramètres d'essai des chocs	115

Tableau D.1 – Synthèse des paramètres de foudre à considérer pour le calcul des valeurs d'essais pour divers composants des SPF et pour divers niveaux de protection 118

Tableau D.2 – Caractéristiques physiques de matériaux typiques utilisés dans les composants des SPF 121

Tableau D.3 – Elévation de température de conducteurs de diverses sections en fonction de W/R 121

Tableau E.1 – Valeurs de la résistance de terre conventionnelle Z et Z_1 suivant la résistivité du sol 133

Tableau E.2 – Surintensités susceptibles d'apparaître lors d'éclairs sur des systèmes basse tension..... 134

Tableau E.3 – Surintensités susceptibles d'apparaître lors d'éclairs sur des réseaux de communication..... 135

COMMISSION ÉLECTROTECHNIQUE INTERNATIONALE

PROTECTION CONTRE LA Foudre –

Partie 1: Principes généraux

AVANT-PROPOS

- 1) La Commission Electrotechnique Internationale (CEI) est une organisation mondiale de normalisation composée de l'ensemble des comités électrotechniques nationaux (Comités nationaux de la CEI). La CEI a pour objet de favoriser la coopération internationale pour toutes les questions de normalisation dans les domaines de l'électricité et de l'électronique. A cet effet, la CEI – entre autres activités – publie des Normes internationales, des Spécifications techniques, des Rapports techniques, des Spécifications accessibles au public (PAS) et des Guides (ci-après dénommés "Publication(s) de la CEI"). Leur élaboration est confiée à des comités d'études, aux travaux desquels tout Comité national intéressé par le sujet traité peut participer. Les organisations internationales, gouvernementales et non gouvernementales, en liaison avec la CEI, participent également aux travaux. La CEI collabore étroitement avec l'Organisation Internationale de Normalisation (ISO), selon des conditions fixées par accord entre les deux organisations.
- 2) Les décisions ou accords officiels de la CEI concernant les questions techniques représentent, dans la mesure du possible, un accord international sur les sujets étudiés, étant donné que les Comités nationaux de la CEI intéressés sont représentés dans chaque comité d'études.
- 3) Les Publications de la CEI se présentent sous la forme de recommandations internationales et sont agréées comme telles par les Comités nationaux de la CEI. Tous les efforts raisonnables sont entrepris afin que la CEI s'assure de l'exactitude du contenu technique de ses publications; la CEI ne peut pas être tenue responsable de l'éventuelle mauvaise utilisation ou interprétation qui en est faite par un quelconque utilisateur final.
- 4) Dans le but d'encourager l'uniformité internationale, les Comités nationaux de la CEI s'engagent, dans toute la mesure possible, à appliquer de façon transparente les Publications de la CEI dans leurs publications nationales et régionales. Toutes divergences entre toutes Publications de la CEI et toutes publications nationales ou régionales correspondantes doivent être indiquées en termes clairs dans ces dernières.
- 5) La CEI elle-même ne fournit aucune attestation de conformité. Des organismes de certification indépendants fournissent des services d'évaluation de conformité et, dans certains secteurs, accèdent aux marques de conformité de la CEI. La CEI n'est responsable d'aucun des services effectués par les organismes de certification indépendants.
- 6) Tous les utilisateurs doivent s'assurer qu'ils sont en possession de la dernière édition de cette publication.
- 7) Aucune responsabilité ne doit être imputée à la CEI, à ses administrateurs, employés, auxiliaires ou mandataires, y compris ses experts particuliers et les membres de ses comités d'études et des Comités nationaux de la CEI, pour tout préjudice causé en cas de dommages corporels et matériels, ou de tout autre dommage de quelque nature que ce soit, directe ou indirecte, ou pour supporter les coûts (y compris les frais de justice) et les dépenses découlant de la publication ou de l'utilisation de cette Publication de la CEI ou de toute autre Publication de la CEI, ou au crédit qui lui est accordé.
- 8) L'attention est attirée sur les références normatives citées dans cette publication. L'utilisation de publications référencées est obligatoire pour une application correcte de la présente publication.
- 9) L'attention est attirée sur le fait que certains des éléments de la présente Publication de la CEI peuvent faire l'objet de droits de brevet. La CEI ne saurait être tenue pour responsable de ne pas avoir identifié de tels droits de brevets et de ne pas avoir signalé leur existence.

La Norme internationale CEI 62305-1 a été établie par le comité d'études 81 de la CEI: Protection contre la foudre.

Cette deuxième édition annule et remplace la première édition parue en 2006. Elle constitue une révision technique.

Par rapport à l'édition précédente, cette édition contient les modifications techniques notables suivantes:

- 1) Elle ne couvre plus la protection des services connectés aux structures.
- 2) Les interfaces isolées sont présentées comme des mesures de protection destinées à réduire les défaillances des réseaux de puissance et de communication.
- 3) Le premier courant de choc négatif est présenté comme un nouveau paramètre de foudre servant aux calculs.

4) Les surintensités prévues dues aux éclairs ont été spécifiées plus précisément pour les systèmes d'alimentation basse tension et les réseaux de communication.

La présente version bilingue (2013-01) correspond à la version anglaise monolingue publiée en 2010-12.

Le texte anglais de cette norme est issu des documents 81/370/FDIS et 81/380/RVD.

Le rapport de vote 81/380/RVD donne toute information sur le vote ayant abouti à l'approbation de cette norme.

La version française n'a pas été soumise au vote.

Cette publication a été rédigée selon les Directives ISO/CEI, Partie 2.

Une liste de toutes les parties de la série CEI 62305, publiée sous le titre général *Protection contre la foudre*, peut être consultée sur le site web de la CEI.

Le comité a décidé que le contenu de cette publication ne sera pas modifié avant la date de stabilité indiquée sur le site web de la CEI sous "<http://webstore.iec.ch>" dans les données relatives à la publication recherchée. A cette date, la publication sera

- reconduite,
- supprimée,
- remplacée par une édition révisée, ou
- amendée.

INTRODUCTION

Il n'existe pas de dispositifs ni de méthodes capables de modifier les phénomènes naturels au point de pouvoir empêcher les décharges de foudre. Les impacts de foudre sur ou à proximité des structures (ou des lignes connectées aux structures) sont dangereux pour les personnes, les structures elles-mêmes, leur contenu, les installations et les lignes. C'est pourquoi les mesures de protection contre la foudre sont essentielles.

Il convient que le besoin en matière de protection, de bénéfices économiques de la mise en œuvre de mesures de protection appropriées et du choix de ces mesures soient déterminés en termes d'évaluation des risques. La méthode d'évaluation des risques fait l'objet de la CEI 62305-2.

Les mesures de protection envisagées dans la CEI 62305 ont fait la preuve de leur efficacité en termes de réduction des risques.

L'ensemble des mesures de protection contre la foudre constitue la protection globale contre la foudre. Pour des raisons pratiques, les critères de conception, de mise en œuvre et de maintenance des mesures de protection contre la foudre sont analysés dans deux parties distinctes:

- une première partie se référant aux mesures de protection de réduction des dommages physiques et des dangers pour les personnes au sein d'une structure fait l'objet de la CEI 62305-3;
- une deuxième partie se référant aux mesures de protection de réduction des défaillances des réseaux de puissance et de communication au sein d'une structure fait l'objet de la CEI 62305-4.

L'articulation entre les différentes parties de la CEI 62305 est présentée à la Figure 1.

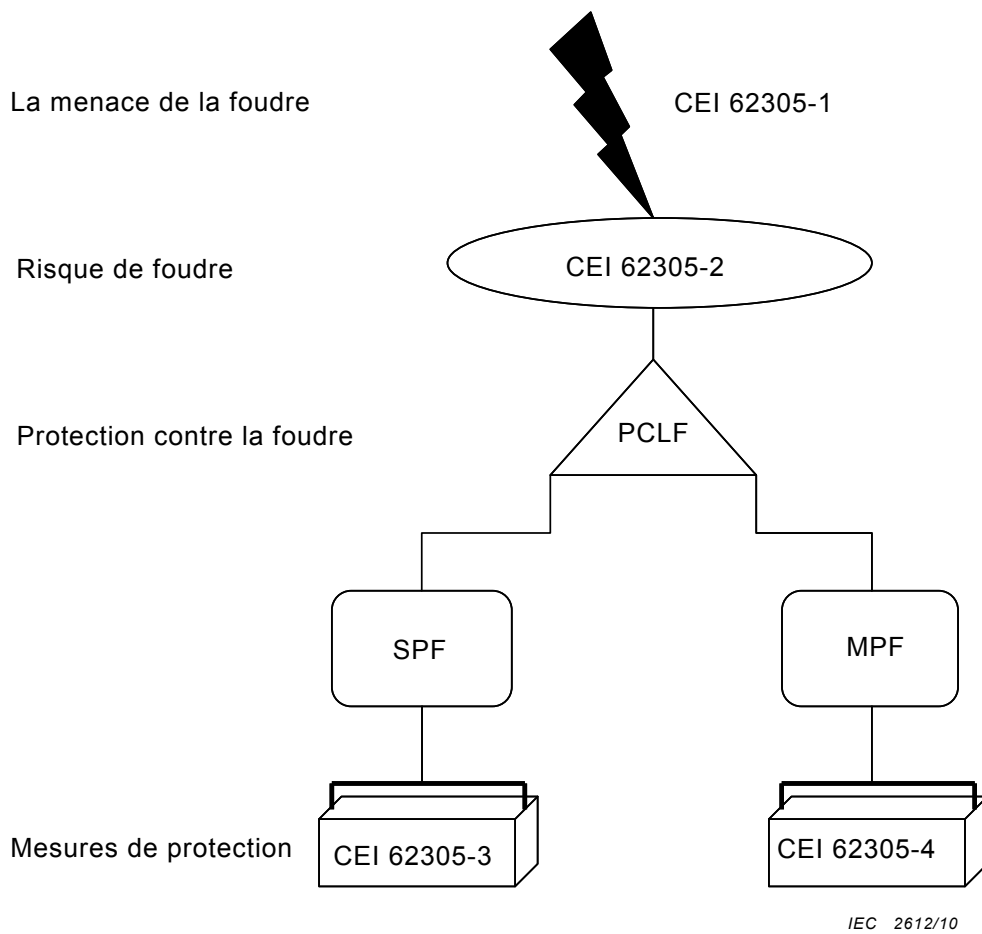


Figure 1 – Articulation entre les différentes parties de la CEI 62305

PROTECTION CONTRE LA Foudre –

Partie 1: Principes généraux

1 Domaine d'application

La présente partie de la CEI 62305 fournit des principes généraux à suivre pour protéger les structures contre la foudre, y compris leurs installations, leur contenu et les personnes qui s'y trouvent.

Les cas suivants ne relèvent pas du domaine d'application de la présente norme:

- chemins de fer;
- véhicules, navires, avions, installations en mer;
- canalisations enterrées à haute pression;
- canalisations, lignes de puissance et de communication placées à l'extérieur de la structure.

NOTE Ces cas sont généralement régis par des règlements particuliers émis par diverses autorités compétentes.

2 Références normatives

Les documents suivants sont cités en référence de manière normative, en intégralité ou en partie, dans le présent document et sont indispensables pour son application. Pour les références datées, seule l'édition citée s'applique. Pour les références non datées, la dernière édition du document de référence s'applique (y compris les éventuels amendements).

CEI 62305-2:2010, *Protection contre la foudre – Partie 2: Evaluation des risques*

CEI 62305-3:2010, *Protection contre la foudre – Partie 3: Dommages physiques sur les structures et risques humains*

CEI 62305-4:2010, *Protection contre la foudre – Partie 4: Réseaux de puissance et de communication dans les structures*

3 Termes et définitions

Pour les besoins du présent document, les termes et définitions suivants s'appliquent.

3.1

coup de foudre à la terre

décharge électrique d'origine atmosphérique entre un nuage et la terre, consistant en un ou plusieurs coups de foudre

3.2

éclair descendant

éclair initié par un précurseur descendant du nuage vers le sol

NOTE Un éclair descendant comprend un premier choc qui peut être suivi de chocs ultérieurs. Un ou plusieurs chocs peuvent être suivis d'un coup de foudre de longue durée.

3.3 éclair ascendant

éclair initié par un précurseur ascendant d'une structure mise à la terre vers le nuage

NOTE Un éclair ascendant comprend un premier coup de foudre de longue durée avec ou sans chocs multiples superposés. Un ou plusieurs chocs peuvent être suivis d'un coup de foudre de longue durée.

3.4 coup de foudre

simple décharge électrique lors d'un coup de foudre à la terre

3.5 coup de foudre de courte durée

partie du coup de foudre correspondant à un courant de choc

NOTE Ce courant présente un temps T_2 jusqu'à mi-valeur du courant de crête sur la queue généralement inférieur à 2 ms (voir Figure A.1).

3.6 coup de foudre de longue durée

partie du coup de foudre correspondant à un courant de suite

NOTE La durée T_{LONG} (durée entre la valeur de 10 % du front et la valeur de 10 % de la queue) de ce courant de suite est généralement supérieure à 2 ms et inférieure à 1 s (voir Figure A.2).

3.7 coups de foudre multiples

éclair comprenant un nombre moyen de 3 à 4 coups de foudre, avec un intervalle de temps typique entre les décharges d'environ 50 ms

NOTE Des phénomènes pouvant avoir jusqu'à plusieurs dizaines de décharges et des intervalles de temps entre les décharges de 10 ms à 250 ms, ont été observés.

3.8 point d'impact

point où un coup de foudre frappe la terre ou un objet saillant (par exemple, une structure, un système de protection contre la foudre (SPF), une ligne, un arbre, etc.)

NOTE Un coup de foudre peut avoir plusieurs points d'impact.

3.9 courant de foudre

i

courant s'écoulant au point d'impact

3.10 valeur crête du courant

I

valeur maximale du courant de foudre

3.11 raideur moyenne du courant de choc pendant le temps de montée

valeur moyenne de la variation de courant dans un intervalle de temps $\Delta t = t_2 - t_1$

NOTE Elle est exprimée par la différence $\Delta i = i(t_2) - i(t_1)$ des valeurs du courant au début et à la fin de cet intervalle, divisée par l'intervalle de temps $\Delta t = t_2 - t_1$ (voir Figure A.1).

3.12**temps de montée du courant de choc** T_1

paramètre virtuel défini comme 1,25 fois l'intervalle de temps entre les instants où 10 % et 90 % de la valeur crête sont atteints (voir Figure A.1)

3.13**origine virtuelle du courant de choc** O_1

point d'intersection avec l'axe du temps d'une droite tracée entre les points de référence 10 % et 90 % sur le temps de montée (voir Figure A.1); elle précède de $0,1 T_1$ l'instant auquel le courant atteint 10 % de sa valeur crête

3.14**temps jusqu'à mi-valeur sur la queue du courant de choc** T_2

paramètre virtuel défini comme l'intervalle de temps entre l'origine virtuelle O_1 et l'instant auquel le courant a décru jusqu'à mi-valeur du courant de crête sur la queue (voir Figure A.1)

3.15**durée de l'éclair** T

durée pendant laquelle le courant de foudre s'écoule au point d'impact

3.16**durée d'un courant de choc de longue durée** T_{LONG}

temps durant lequel le courant de foudre de longue durée est compris entre 10 % de la valeur crête lors de la montée du courant de suite et 10 % de la valeur crête lors de la décroissance du courant de suite (voir Figure A.2)

3.17**charge d'éclair** Q_{FLASH}

valeur résultant de l'intégrale du temps du courant de foudre pendant la durée totale de l'éclair

3.18**charge de choc** Q_{SHORT}

valeur résultant de l'intégrale du temps du courant de foudre dans un choc

3.19**charge de coup de foudre de longue durée** Q_{LONG}

valeur résultant de l'intégrale du temps du courant de foudre dans un coup de foudre de longue durée

3.20**énergie spécifique** W/R

valeur résultant de l'intégrale du temps du carré du courant de foudre pendant la durée totale de l'éclair

NOTE Elle représente l'énergie dissipée par le courant de foudre dans une résistance unité.

3.21**énergie spécifique du courant de choc**

valeur résultant de l'intégrale du temps du carré du courant de foudre pendant la durée du choc

NOTE L'énergie spécifique d'un courant de longue durée est négligeable.

3.22

structure à protéger

structure pour laquelle une protection contre les effets de la foudre est requise conformément à la présente norme

NOTE Une structure à protéger peut faire partie d'une structure plus grande.

3.23

ligne

ligne de puissance ou de communication connectée à la structure à protéger

3.24

lignes de communication

lignes prévues pour la communication entre des équipements qui peuvent être situés dans des structures distinctes, telles qu'une ligne téléphonique et une ligne de données

3.25

lignes de puissance

lignes de distribution alimentant en énergie électrique les équipements électriques et électroniques d'une structure, tels que les réseaux électriques basse tension (Low Voltage, LV) ou haute tension (High Voltage, HV)

3.26

coup de foudre direct sur une structure

coup de foudre frappant directement une structure à protéger

3.27

coup de foudre à proximité d'une structure

coup de foudre présentant un point d'impact suffisamment proche d'une structure à protéger pour pouvoir causer des surtensions dangereuses

3.28

réseau de puissance

réseau comprenant des composants d'alimentation basse tension

3.29

réseau de communication

réseau comprenant des composants électroniques sensibles tel que le matériel de communication, les systèmes d'ordinateurs, de commande et d'instrumentation, les systèmes radio et les installations électroniques de puissance

3.30

réseaux internes

réseaux de puissance et de communication à l'intérieur d'une structure

3.31

dommage physique

dommage subi par une structure (ou son contenu) en raison des effets mécaniques, thermiques, chimiques et explosifs de la foudre

3.32

blessures d'êtres vivants

blessures permanentes, y compris la mort, de personnes ou d'animaux par choc électrique dû aux tensions de contact et de pas causées par la foudre

NOTE Bien que des être vivants puissent être blessés d'une autre manière, dans la présente norme, le terme "blessures d'êtres vivants" se limite à la menace représentée par le choc électrique (type de dommage D1).

3.33**défaillance des réseaux de puissance et de communication**

dommage permanent subi par les réseaux de puissance et de communication, et dû aux impulsions électromagnétiques de foudre (IEMF)

3.34**choc électromagnétique de foudre**

IEMF

ensemble des effets électromagnétiques du courant de foudre par le biais du couplage résistif, inductif et capacitif qui crée des chocs de tension et des champs électromagnétiques

3.35**choc**

onde transitoire créant une surtension et/ou une surintensité, due aux IEMF

3.36**zone de protection contre la foudre**

ZPF

zone où l'environnement électromagnétique est défini

NOTE Les frontières d'une ZPF ne sont pas forcément des frontières physiques (par exemple, les parois, le sol ou le plafond).

3.37**risque**

R

mesure des pertes probables annuelles (personnes et biens) en raison de la foudre par rapport à la valeur totale (personnes et biens) de la structure à protéger

3.38**risque tolérable**

R_T

valeur maximale du risque pouvant être tolérée pour la structure ou le service à protéger

3.39**niveau de protection contre la foudre**

NPF

chiffre lié à l'ensemble des paramètres du courant de foudre et relatif à la probabilité que les valeurs minimales et maximales prévues ne seront pas dépassées lors d'apparition naturelle d'orages

NOTE Le niveau de protection contre la foudre est utilisé pour prévoir des mesures de protection conformément à l'ensemble des paramètres du courant de foudre.

3.40**mesures de protection**

mesures à adopter pour la structure à protéger afin de réduire le risque

3.41**protection contre la foudre**

PCLF

installation complète de protection des structures contre les effets de la foudre, y compris leurs réseaux internes, leur contenu et les personnes qui s'y trouvent, comprenant généralement un SPF et une MPF

3.42

système de protection contre la foudre

SPF

installation complète permettant de réduire les dangers de dommages physiques dus aux coups de foudre directs sur une structure

NOTE Elle comprend à la fois une installation extérieure et une installation intérieure de protection contre la foudre.

3.43

installation extérieure du système de protection contre la foudre

partie du SPF comprenant un dispositif de capture, des conducteurs de descente et une prise de terre

3.44

installation intérieure du système de protection contre la foudre

partie du SPF comprenant les liaisons équipotentielles de foudre et/ou l'isolation électrique d'un SPF extérieur

3.45

dispositif de capture

partie d'une installation SPF extérieure utilisant des éléments métalliques, tels que tiges, mailles ou fils tendus, pour intercepter la foudre

3.46

conducteur de descente

partie d'une installation SPF extérieure destinée à conduire le courant de foudre du dispositif de capture à la prise de terre

3.47

prise de terre

partie d'une installation SPF extérieure destinée à conduire et à dissiper le courant de foudre à la terre

3.48

éléments conducteurs extérieurs

parties métalliques pénétrant dans ou quittant la structure à protéger telles que canalisations, éléments de câbles métalliques, conduits métalliques, etc. pouvant écouler une partie du courant de foudre

3.49

liaison équipotentielle de foudre

EB

interconnexion des parties métalliques d'une installation de SPF, par des connexions conductrices directes ou par des parafoudres réduisant les différences de potentiel engendrées par le courant de foudre

3.50

résistance de terre conventionnelle

rapport de la valeur crête de la tension et du courant de la borne de terre, qui, en général, ne se produisent pas en même temps

3.51

mesures de protection IEMF

MPF

mesures prises pour protéger les réseaux internes contre les effets des IEMF

NOTE Il s'agit d'une partie de la protection générale contre la foudre.

3.52**blindage magnétique**

grillage métallique fermé ou écran continu entourant la structure à protéger, ou une partie de celle-ci, afin de réduire les défaillances des réseaux de puissance et de communication

3.53**parafoudre**

SPD

dispositif conçu pour limiter les surtensions transitoires et évacuer les courants de choc; comporte au moins un composant non linéaire

3.54**protection coordonnée par parafoudres (parafoudres coordonnés)**

ensemble de parafoudres coordonnés, choisis de manière appropriée et mis en œuvre afin de réduire les défaillances des réseaux de puissance et de communication

3.55**tension assignée de tenue aux chocs**

U_W

valeur de tension de tenue aux chocs assignée par le fabricant aux matériels ou à une partie d'entre eux, caractérisant la capacité de tenue spécifiée de son isolation contre des surtensions

NOTE Dans la présente norme, seule la tension de tenue entre les conducteurs actifs et la terre est prise en compte.

[CEI 60664-1:2007, définition 3.9.2]^[1] 1

3.56**interfaces d'isolement**

dispositifs capables de réduire les chocs conduits sur les lignes pénétrant dans la ZPF

NOTE 1 Ceci comprend des transformateurs d'isolement à écran mis à la terre entre les enroulements, les câbles à fibre optique non métalliques et les opto-isolateurs.

NOTE 2 Les caractéristiques de tenue d'isolement de ces dispositifs sont appropriées à la présente application de manière intrinsèque ou par parafoudre.

4 Paramètres du courant de foudre

Les paramètres du courant de foudre utilisés dans la série CEI 62305 sont donnés à l'Annexe A.

L'Annexe B donne la fonction temporelle du courant de foudre à utiliser à des fins d'analyse.

L'Annexe C donne des informations pour la simulation du courant de foudre à des fins d'essais.

L'Annexe D donne les paramètres essentiels à utiliser dans les laboratoires pour simuler les effets de la foudre sur les composants des SPF.

L'Annexe E donne des informations sur les chocs dus à la foudre en divers points de l'installation.

1 Les chiffres entre crochets se réfèrent à la bibliographie.

5 Dommages dus à la foudre

5.1 Dommages sur la structure

La foudre qui frappe une structure peut entraîner des dommages sur cette structure, ses occupants et leurs biens, y compris des défaillances des matériels, particulièrement aux réseaux internes. Les dommages et les défaillances peuvent aussi s'étendre dans l'environnement de la structure et peuvent impliquer l'environnement local. Cette extension est fonction des caractéristiques de la structure et du coup de foudre.

5.1.1 Effets de la foudre sur la structure

Les caractéristiques principales des structures vis-à-vis des effets de la foudre sont les suivants:

- les matériaux de construction (par exemple, bois, brique, béton, béton armé, armatures métalliques);
- la fonction (habitat domestique, bureaux, fermes, théâtres, hôtels, écoles, hôpitaux, musées, églises, prisons, magasins, banques, usines, sites industriels, stades);
- les occupants et les biens (personnes et animaux, matériaux non inflammables, matériaux inflammables, mélanges explosifs ou non explosifs, réseaux de puissance et de communication à haute ou basse tension);
- les lignes connectées (réseaux de puissance, lignes de communication, canalisations);
- les mesures de limitation des effets consécutifs aux effets des dommages (mesures pour réduire les dommages physiques et le danger de mort, mesures de protection pour limiter la défaillance des réseaux internes);
- l'échelle d'extension du danger (structure avec difficulté d'évacuation ou structure propice à la panique, structure présentant un danger pour les alentours ou pour l'environnement).

Le Tableau 1 indique les effets de la foudre sur divers types de structures.

Tableau 1 – Effets de la foudre sur des structures habituelles

Type de structure selon leur fonction et/ou leur contenu	Effets de la foudre
Locaux d'habitation	Perforation des installations électriques, incendie et dommages matériels Dommages normalement limités aux structures exposées au point d'impact ou aux cheminements du courant de foudre Défaillances des matériels électriques et électroniques et des réseaux (par exemple, téléviseurs, ordinateurs, modems, téléphones, etc.)
Fermes	Risque primaire d'incendie et saut de tension dangereux en plus des dommages matériels Risque secondaire dû à la perte de l'alimentation et danger de mort pour le bétail en raison de la défaillance de la commande électronique de la ventilation et de la distribution de nourriture
Théâtres Hôtels Ecoles Magasins Zones sportives	Dommages dans l'installation électrique (par exemple, éclairage) susceptibles de provoquer la panique Défaillance des alarmes incendie et retards des mesures anti-incendie
Banques Compagnies d'assurance Compagnies commerciales, etc.	Comme ci-dessus avec en complément des problèmes dus à la perte des communications, des défaillances des ordinateurs et la perte de données

Type de structure selon leur fonction et/ou leur contenu	Effets de la foudre
Hôpitaux Nurseries Prisons	Comme ci-dessus avec en complément des problèmes de personnes en soins intensifs et des difficultés à évacuer des personnes impotentes
Industrie	Effets complémentaires en fonction des produits fabriqués, allant de la dégradation mineure aux dégâts inacceptables avec perte de production
Musées et sites archéologiques Eglises	Pertes irremplaçables de l'héritage culturel
Infrastructures de communication Centrales	Pertes inacceptables de services pour le public
Usines d'artifices Usines de munitions	Conséquences d'incendie et d'explosion pour le site et son environnement
Usine chimique Raffinerie Site nucléaire Laboratoires biochimiques et sites	Incendie et dysfonctionnements sur le site avec des conséquences nuisibles pour l'environnement local et global

5.1.2 Sources et types de dommages pour une structure

Le courant de foudre est la source de dommage. Les sources de dommages suivantes doivent être prises en compte selon la situation du point d'impact sur la structure:

- a) S1: éclair frappant directement la structure;
- b) S2: éclair frappant le sol à proximité de la structure;
- c) S3: éclair frappant directement les lignes connectées à la structure;
- d) S4: éclair frappant le sol à proximité des lignes connectées à la structure.

a) Les éclairs frappant directement la structure peuvent provoquer:

- dommages mécaniques directs, incendie et/ou explosion dus à l'arc de plasma de la foudre lui-même, dus au courant causant un chauffage ohmique des conducteurs (conducteurs surchauffés) ou dus à la charge causant une corrosion électrique (fusion du métal);
- incendie et/ou explosion déclenchés par des étincelles causées par des surtensions de couplage résistif et inductif et par l'écoulement partiel des courants de foudre;
- blessures d'êtres vivants causées par les chocs électriques résultant des tensions de contact et de pas à cause des couplages résistif et inductif;
- défaillances ou dysfonctionnements des réseaux internes dus aux IEMF.

b) Les éclairs frappant à proximité de la structure peuvent provoquer:

- défaillances ou dysfonctionnements des réseaux internes dus aux IEMF.

c) Les éclairs frappant les lignes connectées à la structure peuvent provoquer:

- incendie et/ou explosion déclenchés par des étincelles causées par les surtensions et les courants de foudre transmis par les lignes connectées à la structure;
- blessures d'êtres vivants causées par les chocs électriques en raison des tensions de contact à l'intérieur de la structure provoquées par les courants de foudre transmis par la ligne connectée à la structure;
- défaillances ou dysfonctionnements des réseaux internes en raison des surtensions transmises par les lignes connectées à la structure.

d) Les éclairs frappant à proximité de lignes connectées à la structure peuvent provoquer:

- défaillances ou dysfonctionnements des réseaux internes en raison des surtensions induites sur les lignes connectées et transmises à la structure.

NOTE 1 Le dysfonctionnement des réseaux internes n'est pas couvert par les séries CEI 62305. Il convient de faire référence à CEI 61000-4-5 ^[2].

NOTE 2 Seules les étincelles véhiculant du courant de foudre (partiel ou total) sont considérées comme pouvant être la cause d'un incendie.

NOTE 3 Les coups de foudre directs ou à proximité des canalisations entrantes ne provoquent pas de dommages sur la structure si les canalisations sont reliées à la liaison équipotentielle de la structure (voir la CEI 62305-3).

En conclusion, la foudre peut engendrer trois types essentiels de dommages:

- D1: blessures d'êtres vivants par choc électrique;
- D2: dommages physiques (incendie, explosion, destruction mécanique, émanation chimique) dus aux effets du courant de foudre, y compris les étincelles;
- D3: défaillances des réseaux internes dues aux IEMF.

5.2 Types de pertes

Chaque type de dommage propre à une structure à protéger, qu'il soit seul ou associé, peut entraîner des pertes différentes. Le type de perte pouvant apparaître dépend des caractéristiques de la structure elle-même.

Pour la CEI 62305, les types de pertes suivants, qui peuvent apparaître suite à des dommages subis par la structure, sont envisagés:

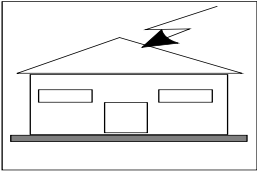
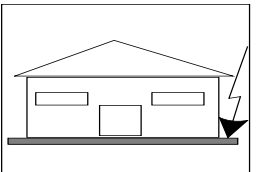
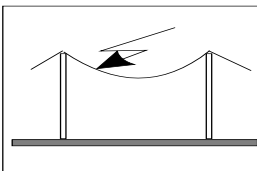
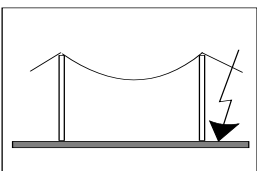
- L1: perte de vie humaine (y compris blessure permanente);
- L2: perte de service public;
- L3: perte d'héritage culturel;
- L4: perte de valeur économique (structure, son contenu, et perte d'activité).

NOTE Pour la CEI 62305, seules des infrastructures telles que le gaz, l'eau, la télévision, les télécommunications et l'alimentation énergétique sont considérées comme services publics.

Les pertes de type L1, L2 et L3 peuvent être considérées comme des pertes sociales, tandis que L4 peut être considérée comme perte purement économique.

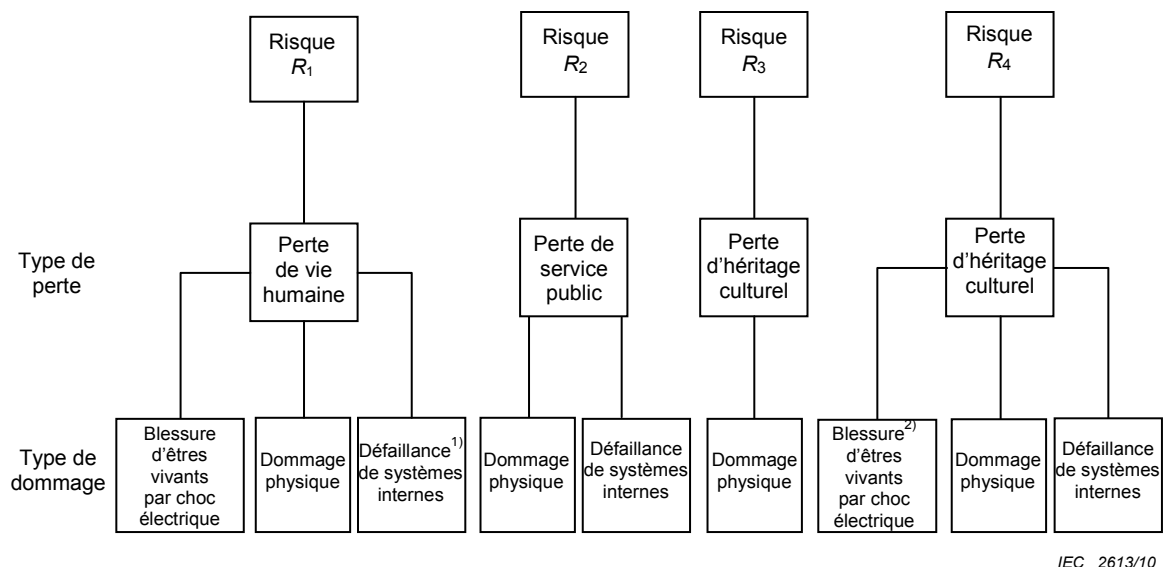
La correspondance entre les sources de dommages, les types de dommages et les pertes est indiquée dans le Tableau 2.

Tableau 2 – Dommages et pertes en divers points d'impact de la foudre

Point d'impact		Source de dommage	Type de dommage	Type de perte
Structure		S1	D1 D2 D3	L1, L4 ^a L1, L2, L3, L4 L1 ^b , L2, L4
Proche de la structure		S2	D3	L1 ^b , L2, L4
Ligne connectée à la structure		S3	D1 D2 D3	L1, L4 ^a L1, L2, L3, L4 L1 ^b , L2, L4
Proche d'une ligne		S4	D3	L1 ^b , L2, L4

a Seulement pour les propriétés où des animaux peuvent être perdus.
b Seulement pour des structures avec risque d'explosion et pour les hôpitaux ou autres structures analogues où la défaillance des réseaux internes met en danger la vie humaine.

Les types de pertes en fonction des types de dommages et risques correspondants sont donnés à la Figure 2.



- a Seulement pour les hôpitaux et autres structures analogues où les défaillances des réseaux internes mettent en danger immédiat la vie humaine.
- b Seulement pour les propriétés où des animaux peuvent être perdus.

Figure 2 – Types de pertes et risques correspondants dus à différents types de dommages

6 Nécessité et justification économique d'une protection contre la foudre

6.1 Nécessité d'une protection contre la foudre

Le besoin d'une protection contre la foudre pour une structure à protéger doit être évalué afin de réduire la perte de valeurs sociales de type L1, L2 et L3.

Afin d'évaluer si la protection contre la foudre d'une structure est nécessaire ou pas, une évaluation du risque doit être réalisée en suivant les procédures de la CEI 62305-2. Les risques suivants qui correspondent aux types de pertes décrits en 5.2 doivent être pris en compte:

- R₁: risque de perte de vie humaine ou de blessure permanente;
- R₂: risque de perte de service public;
- R₃: risque de perte d'héritage culturel.

NOTE 1 Risque R₄: risque de perte de valeurs économiques, il convient de l'évaluer si la justification économique de la protection contre la foudre est abordée (voir 6.2).

La protection contre la foudre est nécessaire si le risque R (R₁ à R₃) est supérieur au niveau de risque tolérable R_T

$$R > R_T$$

Dans ce cas, des mesures de protection doivent être appliquées afin de réduire le risque R (R₁ à R₃) jusqu'au niveau de risque tolérable R_T

$$R \leq R_T$$

Si plusieurs types de perte peuvent apparaître dans une structure ou un service, la condition $R \leq R_T$ doit être satisfaite pour chaque type de perte (L1, L2 et L3).

Il est recommandé que les valeurs du risque tolérable R_T pour lesquelles la foudre pourrait entraîner la perte d'éléments ayant une valeur sociale soient de la responsabilité des organisations nationales concernées.

NOTE 2 Une autorité compétente peut spécifier le besoin d'une protection contre la foudre pour des applications particulières sans recourir à une méthode d'évaluation du risque. Dans ce cas, le niveau de protection contre la foudre requis sera spécifié par cette autorité. Parfois, une évaluation du risque peut être une technique de justification de ces exigences.

NOTE 3 Des informations plus complètes sur l'évaluation du risque et sur les méthodes de choix des mesures de protection sont données dans la CEI 62305-2.

6.2 Justification économique d'une protection contre la foudre

En complément d'une protection contre la foudre pour une structure à protéger, il peut être utile d'évaluer les bénéfices économiques des mesures de protection afin de réduire la perte économique L4.

Dans ce cas, il convient d'évaluer le risque R_4 de perte de valeurs économiques. L'évaluation du risque R_4 permet le calcul du coût des pertes économiques avec et sans les mesures de protection.

La protection contre la foudre est efficace si la somme du coût C_{RL} des pertes résiduelles en présence des mesures de protection et du coût C_{PM} des mesures de protection est inférieure au coût total C_L des pertes sans mesures de protection.

$$C_{RL} + C_{PM} < C_L$$

NOTE Des informations plus complètes sur l'évaluation de la justification économique de protection contre la foudre sont données dans la CEI 62305-2.

7 Mesures de protection

7.1 Généralités

Des mesures de protection peuvent être prises pour réduire le risque conformément au type de dommage.

7.2 Mesures de protection destinées à réduire les blessures des êtres vivants par choc électrique

Les mesures de protection possibles comprennent:

- une isolation appropriée des éléments conducteurs exposés;
- une équipotentialité par un réseau de terre maillé;
- des restrictions physiques et des panneaux d'avertissement;
- une liaison équipotentielle de foudre (Equipotential Bonding, EB).

NOTE 1 L'équipotentialité et une augmentation de la résistance de contact de la surface du sol à l'intérieur et à l'extérieur de la structure peuvent réduire le danger de mort (voir l'Article 8 de la CEI 62305-3:2010).

NOTE 2 Les mesures de protection ne sont efficaces que dans des structures protégées par un SPF.

NOTE 3 L'utilisation de détecteurs d'orages et les dispositions associées peuvent réduire le danger de mort.

7.3 Mesures de protection pour réduire les dommages physiques

La protection est réalisée par le système de protection contre la foudre (SPF) qui inclut les caractéristiques suivantes:

- dispositif de capture;
- conducteur de descente;
- prise de terre;
- une liaison équipotentielle de foudre (EB);
- une isolation électrique (et donc une distance de séparation) du SPF externe.

NOTE 1 Si un SPF est installé, l'équipotentialité est une mesure très importante pour réduire les risques d'incendie, d'explosion et le danger de mort. Pour plus d'informations, voir la CEI 62305-3.

NOTE 2 Des dispositifs limitant le développement et la propagation d'un incendie telles que les compartiments étanches, les extincteurs, les bornes d'incendie et l'installation de dispositifs de détection et d'extinction d'incendie, peuvent réduire les dommages physiques.

NOTE 3 Des chemins d'évacuation protégés assurent la protection des personnes.

7.4 Mesures de protection pour réduire les défaillances des réseaux de puissance et de communication

Les mesures de protection (MPF) possibles comprennent

- mise à la terre et liaisons équipotentielles;
- blindage magnétique,
- cheminement des réseaux,
- interfaces d'isolement,
- protection coordonnée par parafoudres (parafoudres coordonnés).

Ces mesures peuvent être utilisées seules ou combinées.

NOTE 1 En cas de source de dommage S1, les mesures de protection ne sont efficaces que dans des structures protégées par un SPF.

NOTE 2 L'utilisation de détecteurs d'orages et les dispositions associées peuvent réduire les défaillances des réseaux de puissance et de communication.

7.5 Choix des mesures de protection

L'ensemble des mesures de protection énumérées en 7.2, 7.3 et 7.4 forment la protection générale contre la foudre.

Le choix des mesures de protection les plus appropriées doit être fait par le concepteur et le propriétaire en tenant compte du type et du coût de chaque dommage, des aspects techniques et économiques des diverses mesures de protection et des résultats de l'évaluation des risques.

Les critères pour l'analyse du risque et pour le choix des mesures de protection les plus appropriées sont donnés dans la CEI 62305-2.

Les mesures de protection sont efficaces si elles satisfont aux exigences des normes applicables et sont aptes à résister aux contraintes prévues à l'endroit de leur installation.

8 Critère de base pour la protection des structures et des services

8.1 Généralités

Les critères idéaux pour la protection des structures seraient d'enfermer la structure dans un écran parfaitement conducteur mis à la terre d'épaisseur appropriée, et de réaliser, au point de pénétration dans la structure, la liaison adéquate avec les lignes connectées à la structure.

Ainsi, il serait possible d'empêcher la pénétration du courant de foudre et du champ électromagnétique associé dans la structure à protéger afin d'éviter les effets thermiques et électrodynamiques néfastes du courant, ainsi que les étincelles et les surtensions dangereuses pour les réseaux internes.

En pratique, il n'est souvent ni possible ni économiquement faisable d'obtenir de telles mesures assurant une protection maximale.

La discontinuité de l'écran et/ou son épaisseur non appropriée permet la pénétration du courant de foudre, ce qui entraîne:

- des dommages physiques et un danger de mort;
- des défaillances des réseaux internes.

Les mesures de protection adoptées pour réduire ces dommages et les pertes consécutives doivent être conçues pour l'ensemble des paramètres du courant de foudre prévus contre lesquels une protection est requise (niveau de protection contre la foudre).

8.2 Niveaux de protection contre la foudre (NPF)

Pour la CEI 62305, quatre niveaux de protection contre la foudre sont définis: I, II, III et IV. Pour chaque NPF, des paramètres minimaux et maximaux de courant de foudre sont définis.

NOTE 1 La protection contre la foudre pour laquelle les paramètres maximaux et minimaux de courant de foudre dépassent ceux applicables au NPF I nécessite des mesures plus efficaces qu'il convient de sélectionner et de mettre en œuvre individuellement.

NOTE 2 La probabilité d'apparition de coup de foudre dont les paramètres minimaux et maximaux de courant dépassent ceux du NPF I est inférieure à 2 %.

Pour le NPF I, les valeurs maximales des paramètres du courant de foudre ne doivent pas être dépassées, avec une probabilité de 99 %. Selon le rapport de polarité (voir Article A.2), les valeurs issues des coups positifs auront des probabilités inférieures à 10 %, celles issues des coups négatifs inférieures à 1 % (voir Article A.3).

Les valeurs maximales du NPF I sont réduites de 75 % pour le Niveau II et de 50 % pour les NPF III et IV (linéaires pour I , Q et di/dt , mais quadratiques pour W/R). Les paramètres temporels sont inchangés.

NOTE 3 Les NPF dont les paramètres maximaux de courant de foudre sont inférieurs à ceux du NPF IV permettent d'envisager des valeurs de probabilité de dommage supérieures à celles présentées à l'Annexe B de la CEI 62305-2:2010, sans quantification et sont utiles pour mieux ajuster les mesures de protection afin d'éviter des coûts injustifiés.

Les valeurs maximales des paramètres du courant de foudre pour les différents niveaux de protection contre la foudre sont données dans le Tableau 3 et sont utilisées pour la conception des composants de protection contre la foudre (par exemple, section des conducteurs, épaisseur des feuilles de métal, tenue au courant des parafoudres, distances de séparation des étincelles dangereuses) et pour définir les paramètres d'essai de simulation des effets de la foudre sur ces composants (voir Annexe D).

Les valeurs minimales du courant de foudre pour les divers niveaux de protection sont utilisées pour en déduire le rayon de la sphère fictive (voir Article A.4) afin de définir la zone de

protection contre la foudre ZPF 0_B qui ne peut être atteinte par un coup de foudre direct (voir 8.3 et Figures 3 et 4). Les valeurs minimales des paramètres du courant de foudre associées au rayon de la sphère fictive sont données dans le Tableau 4. Elles sont utilisées pour l'emplacement des dispositifs de capture et pour définir la zone de protection contre la foudre ZPF 0_B (voir 8.3).

Tableau 3 – Valeurs maximales des paramètres de foudre correspondant aux niveaux de protection contre la foudre

Premier choc positif			NPF			
Paramètres du courant	Symbole	Unité	I	II	III	IV
Courant crête	I	kA	200	150	100	
Charge de choc	Q_{SHORT}	C	100	75	50	
Energie spécifique	W/R	MJ/ Ω	10	5,6	2,5	
Paramètres de temps	T_1 / T_2	$\mu s / \mu s$	10 / 350			
Premier choc négatif ^a			NPF			
Paramètres du courant	Symbole	Unité	I	II	III	
Courant crête	I	kA	100	75	50	
Raideur moyenne	di/dt	kA/ μs	100	75	50	
Paramètres de temps	T_1 / T_2	$\mu s / \mu s$	1 / 200			
Choc subséquent			NPF			
Paramètres du courant	Symbole	Unité	I	II	III	IV
Courant crête	I	kA	50	37,5	25	
Raideur moyenne	di/dt	kA/ μs	200	150	100	
Paramètres de temps	T_1 / T_2	$\mu s / \mu s$	0,25 / 100			
Coup de foudre de longue durée			NPF			
Paramètres du courant	Symbole	Unité	I	II	III	IV
Charge du coup de foudre de longue durée	Q_{LONG}	C	200	150	100	
Paramètre de temps	T_{LONG}	s	0,5			
Bavure			NPF			
Paramètres du courant	Symbole	Unité	I	II	III	IV
Charge éclair	Q_{FLASH}	C	300	225	150	

^a L'utilisation de cette forme de courant ne concerne que les calculs, pas les essais.

Tableau 4 – Valeurs minimales des paramètres de foudre et rayon de sphère fictive associé correspondant aux niveaux de protection

Critère d'interception			NPF			
	Symbole	Unité	I	II	III	IV
Courant crête minimal	I	kA	3	5	10	16
Rayon de la sphère fictive	r	m	20	30	45	60

A partir de la distribution statistique donnée à la Figure A.5, une probabilité moyenne peut être définie, les paramètres du courant de foudre étant plus petits que les valeurs maximales et respectivement plus élevés que les valeurs minimales définies pour chaque niveau de protection (voir Tableau 5).

Tableau 5 – Probabilités des limites des paramètres du courant de foudre

Probabilité pour que les paramètres du courant de foudre soient	NPF			
	I	II	III	IV
– inférieurs aux valeurs maximales définies dans le Tableau 3	0,99	0,98	0,95	0,95
– supérieurs aux valeurs minimales définies dans le Tableau 4	0,99	0,97	0,91	0,84

Les mesures de protection spécifiées dans la CEI 62305-3 et dans la CEI 62305-4 sont efficaces si les paramètres du courant de foudre sont dans le domaine du niveau de protection défini par le concepteur. C'est pourquoi l'efficacité d'une mesure de protection est supposée égale à la probabilité pour que les paramètres du courant de foudre soient dans ce domaine. Pour les paramètres hors de cette plage, un risque résiduel de dommage subsiste.

8.3 Zones de protection contre la foudre (ZPF)

Les mesures de protection telles que SPF, blindage, écrans et parafoudres déterminent les zones de protection contre la foudre (ZPF).

Une ZPF en aval d'une mesure de protection est caractérisée par une réduction significative des impulsions électromagnétiques de foudre, par comparaison avec la ZPF amont.

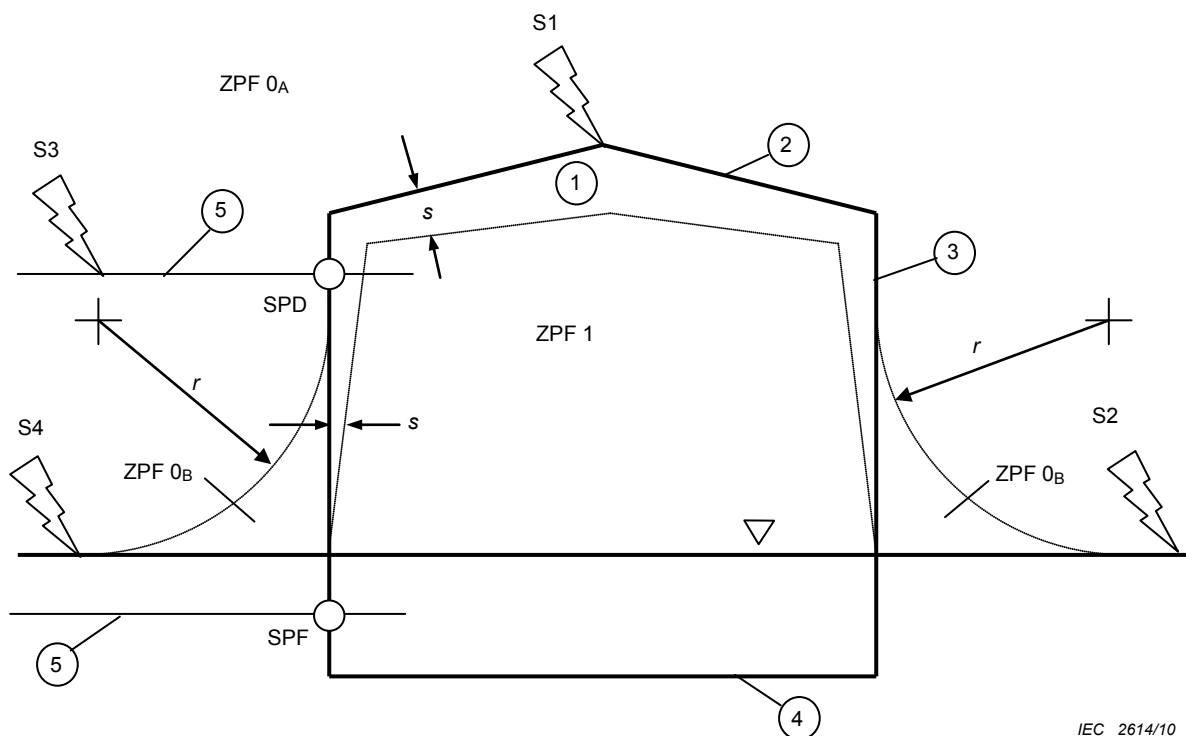
En fonction de la menace de foudre, les ZPF suivantes sont définies (voir Figures 3 et 4):

- ZPF 0_A zone exposée aux coups de foudre directs et au champ électromagnétique total. Les réseaux internes peuvent être soumis à des courants de foudre partiels;
- ZPF 0_B zone protégée contre les coups de foudre directs mais où le risque vient du champ électromagnétique total. Les réseaux internes peuvent être soumis à des courants de foudre partiels;
- ZPF 1 zone où le courant de choc est limité par le partage du courant et par les interfaces d'isolement et/ou des parafoudres à la frontière. L'écran spatial peut atténuer le champ électromagnétique de foudre;
- ZPF 2, ..., n zone où le courant de choc peut être encore davantage limité par le partage du courant, les interfaces d'isolement et/ou des parafoudres supplémentaires à la frontière. Un écran spatial peut atténuer le champ électromagnétique de foudre.

NOTE 1 En règle générale, plus la ZPF est de rang élevé, plus les paramètres d'environnement électromagnétique sont faibles.

La règle générale de protection dit que la structure à protéger doit être contenue dans une ZPF dont les caractéristiques électromagnétiques sont compatibles avec la résistance de la structure aux contraintes ce qui entraîne la réduction des dommages (dommages physiques, défaillances des réseaux de puissance et de communication dues à des surtensions).

NOTE 2 Pour la plupart des réseaux de puissance et de communication et les appareils, des informations sur la tenue de choc peuvent être fournies par le fabricant.



IEC 2614/10

Légende

- | | | | |
|---|------------------------|----|---|
| 1 | structure | S1 | éclair sur la structure |
| 2 | dispositif de capture | S2 | éclair à proximité de la structure |
| 3 | conducteur de descente | S3 | éclair sur une ligne connectée à la structure |
| 4 | prise de terre | S4 | éclair à proximité d'une ligne connectée à la structure |
| 5 | lignes entrantes | r | rayon de la sphère fictive |
| | | s | distance de séparation pour éviter une perforation |

▽ niveau du sol

○ liaison équipotentielle de foudre au moyen d'un parafoudre

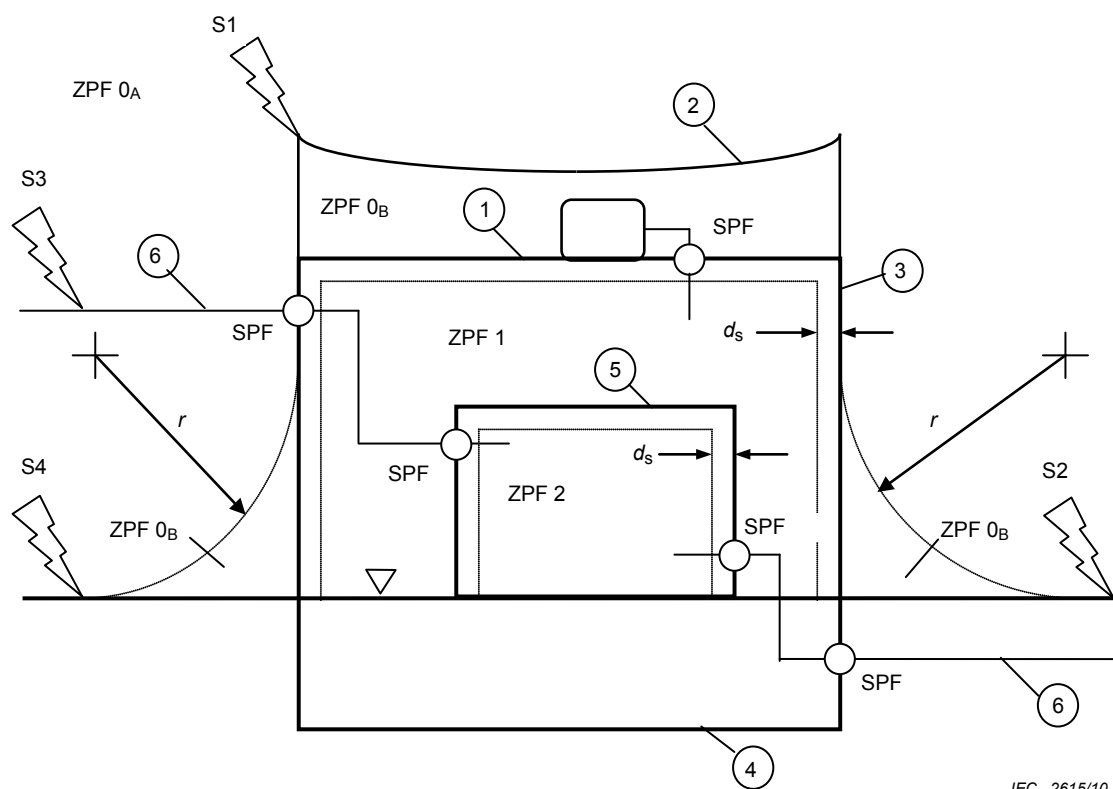
ZPF 0_A éclair direct, courant de foudre total

ZPF 0_B pas d'éclair direct, courant de foudre partiel ou induit

ZPF 1 pas d'éclair direct, courant de foudre limité ou induit

le volume protégé dans la ZPF 1 doit respecter la distance de séparation s

Figure 3 – Zones de protection contre la foudre (ZPF) définies par un SPF (CEI 62305-3)



Légende

1	structure (écran du ZPF 1)	S1	éclair sur la structure
2	dispositif de capture	S2	éclair à proximité de la structure
3	conducteur de descente	S3	éclair sur une ligne connectée à la structure
4	prise de terre	S4	éclair à proximité d'une ligne connectée à la structure
5	pièce (écran de la ZPF 2)	r	rayon de la sphère fictive
6	lignes connectées à la structure	d_s	distance de sécurité contre un champ magnétique trop fort

▽ niveau du sol

○ liaison équipotentielle de foudre au moyen d'un parafoudre

ZPF 0_A éclair direct, courant de foudre complet, champ magnétique complet

ZPF 0_B pas d'éclair direct, courant de foudre partiel ou induit, champ magnétique complet

ZPF 1 pas d'éclair direct, courant de foudre limité ou induit, champ magnétique atténué

ZPF 2 pas d'éclair direct, courants induits, champ magnétique davantage atténué

Les volumes protégés dans les ZPF 1 et 2 doivent respecter des distances de sécurité d_s

Figure 4 – ZPF définies par une MPF (CEI 62305-4)

8.4 Protection des structures

8.4.1 Protection contre les dommages physiques et le danger de mort

La structure à protéger doit être à l'intérieur de la ZPF 0_B ou supérieur. Cela est réalisé par la mise en œuvre d'un système de protection contre la foudre (SPF).

Un SPF comprend à la fois une installation extérieure et une installation intérieure de protection contre la foudre.

Les fonctions du SPF extérieur sont

- d'intercepter un coup de foudre direct sur la structure (par un dispositif de capture),
- d'écouler de manière sûre le courant de foudre vers la terre (par des conducteurs de descente), et
- de le disperser dans la terre (par la prise de terre).

La fonction du SPF intérieur est d'empêcher tout étincelage dangereux dans la structure en utilisant soit des liaisons équipotentielles, soit des distances de séparation, s (associées à l'isolation électrique) entre les composants du SPF et les autres éléments conducteurs électriques internes de la structure.

Quatre types de SPF sont définis (I, II, III, IV) pour les règles de construction, sur la base des NPF correspondants. Chaque type comprend des règles de construction dépendantes (par exemple, rayon de la sphère fictive, largeur de maille, etc.) et indépendantes (par exemple, sections, matériaux, etc.).

Si la résistivité de surface du sol à l'extérieur et à l'intérieur de la structure est maintenue à un niveau faible, le danger de mort dû aux tensions de contact et de pas est réduit:

- à l'extérieur de la structure, par isolation des éléments conducteurs, par équipotentialité du sol au moyen d'un réseau maillé de terre, des panneaux d'avertissement et des restrictions physiques;
- à l'intérieur de la structure, équipotentialité des lignes au point de pénétration dans la structure.

Le SPF doit être conforme aux exigences de la CEI 62305-3.

8.4.2 Protection contre les défaillances des réseaux internes

La protection contre les IEMF pour réduire le risque de défaillance des réseaux internes doit limiter

- les chocs dus aux coups de foudre sur la structure résultant du couplage résistif et inductif;
- les chocs dus aux coups de foudre à proximité de la structure en raison du couplage inductif;
- les chocs transmis par les lignes connectées à la structure en raison des coups de foudre sur ou à proximité de ces lignes;
- le champ magnétique à couplage direct avec les appareils.

NOTE Les défaillances des appareils dues aux effets du champ magnétique se couplant directement avec le matériel sont rares pourvu que les appareils soient conformes aux ondes de radiofréquence émises et aux essais d'immunité définis par les normes CEM des produits (voir la CEI 62305-2 et la CEI 62305-4).

Le système à protéger doit être à l'intérieur de la ZPF 1 ou à un niveau supérieur. Cela est réalisé par des mesures de protection des réseaux de puissance et de communication (MPF) consistant en blindages magnétiques atténuant les champs magnétiques induits et/ou un cheminement approprié des canalisations réduisant les boucles d'induction. La liaison des parties métalliques et des réseaux traversant une ZPF doit être prévue aux frontières de la ZPF soit par conducteurs, soit par parafoudres si nécessaire.

Les mesures de protection pour toute ZPF doivent être conformes à la CEI 62305-4.

Une protection efficace contre les surtensions, entraînant des défaillances des réseaux internes peut aussi être réalisée par des interfaces d'isolement et/ou des parafoudres

coordonnés, ce qui limite les surtensions sous la tension assignée de tenue aux chocs du système à protéger.

Les interfaces d'isolement et les parafoudres doivent être choisis et mis en œuvre conformément aux exigences de la CEI 62305-4.

.....

Annexe A (informative)

Paramètres du courant de foudre

A.1 Eclairs à la terre

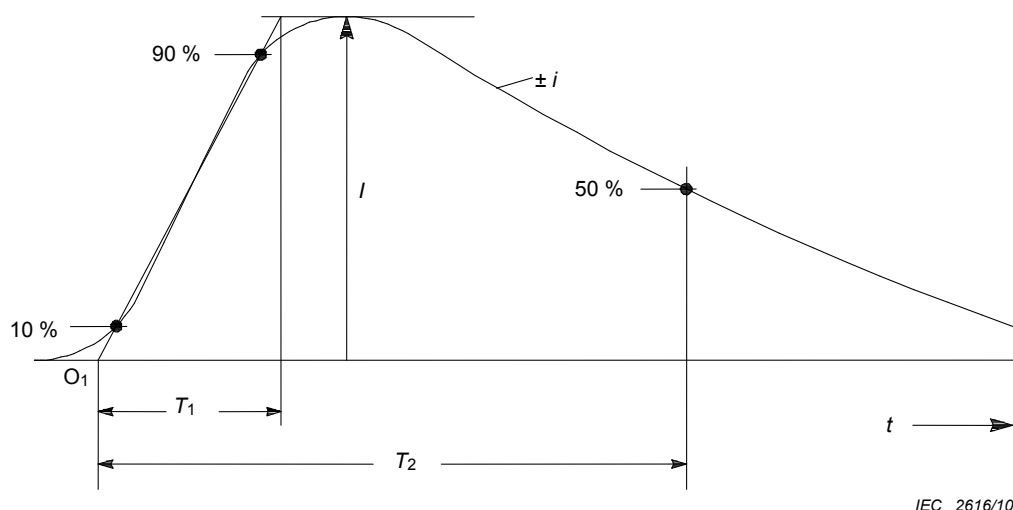
Deux types essentiels d'éclairs existent:

- les éclairs descendants initiés par des précurseurs descendants depuis le nuage vers la terre; et
- les éclairs ascendants initiés par un précurseur ascendant d'une structure mise à la terre vers le nuage.

Dans des environnements plats et pour des structures peu élevées, des éclairs descendants apparaissent essentiellement, tandis que pour des environnements exposés et/ou pour des structures élevées, les éclairs ascendants deviennent dominants. La probabilité d'impact augmente avec la hauteur réelle des structures (voir la CEI 62305-2:2010, Annexe A) et les conditions physiques sont modifiées.

Le courant de foudre comprend un ou plusieurs chocs différents:

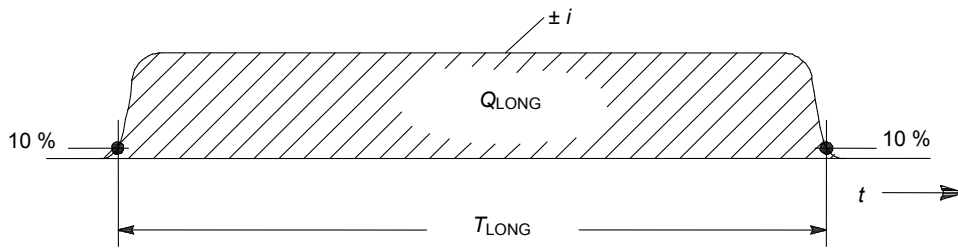
- les chocs de durée inférieure à 2 ms (Figure A.1)
- les chocs longs de durée supérieure à 2 ms (Figure A.2).



Légende

- O_1 origine virtuelle
- I courant de crête
- T_1 temps de montée
- T_2 temps jusqu'à mi-valeur

Figure A.1 – Définition des paramètres de courant de choc (généralement $T_2 < 2$ ms)



IEC 2617/10

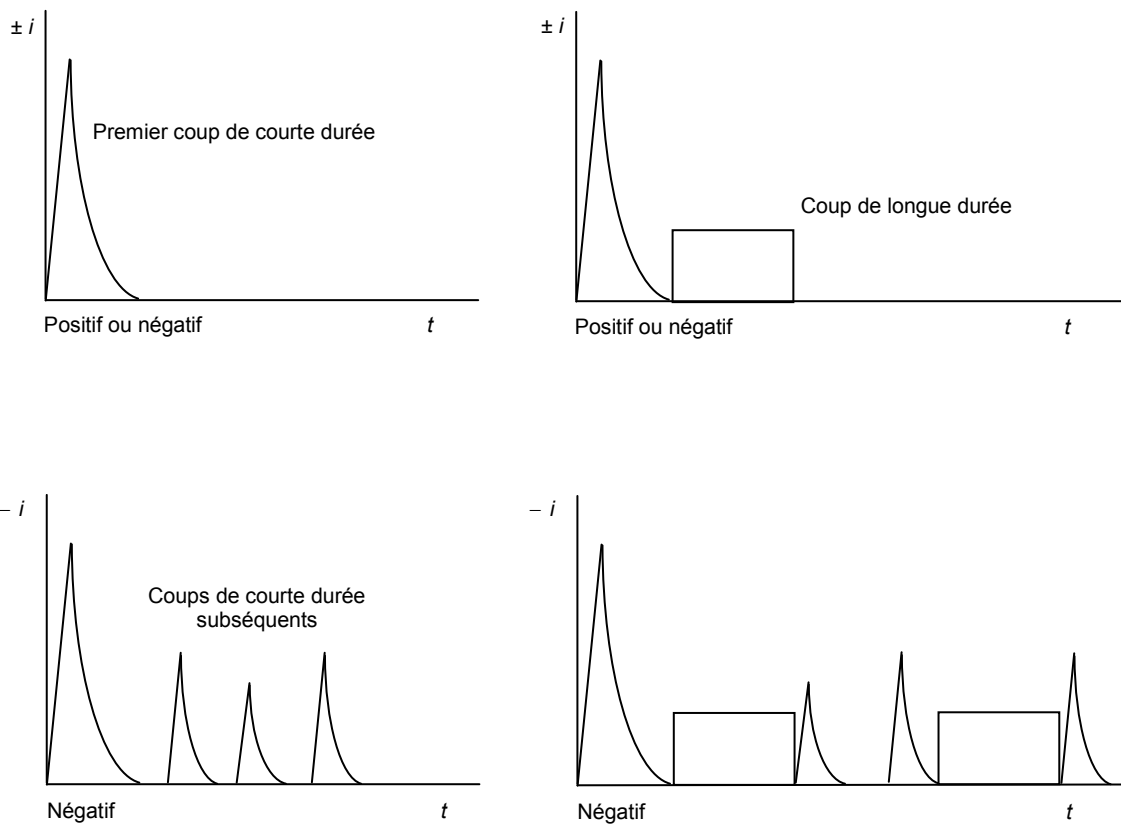
Légende

T_{LONG} durée

-- Q_{LONG} charge du coup de foudre longue durée

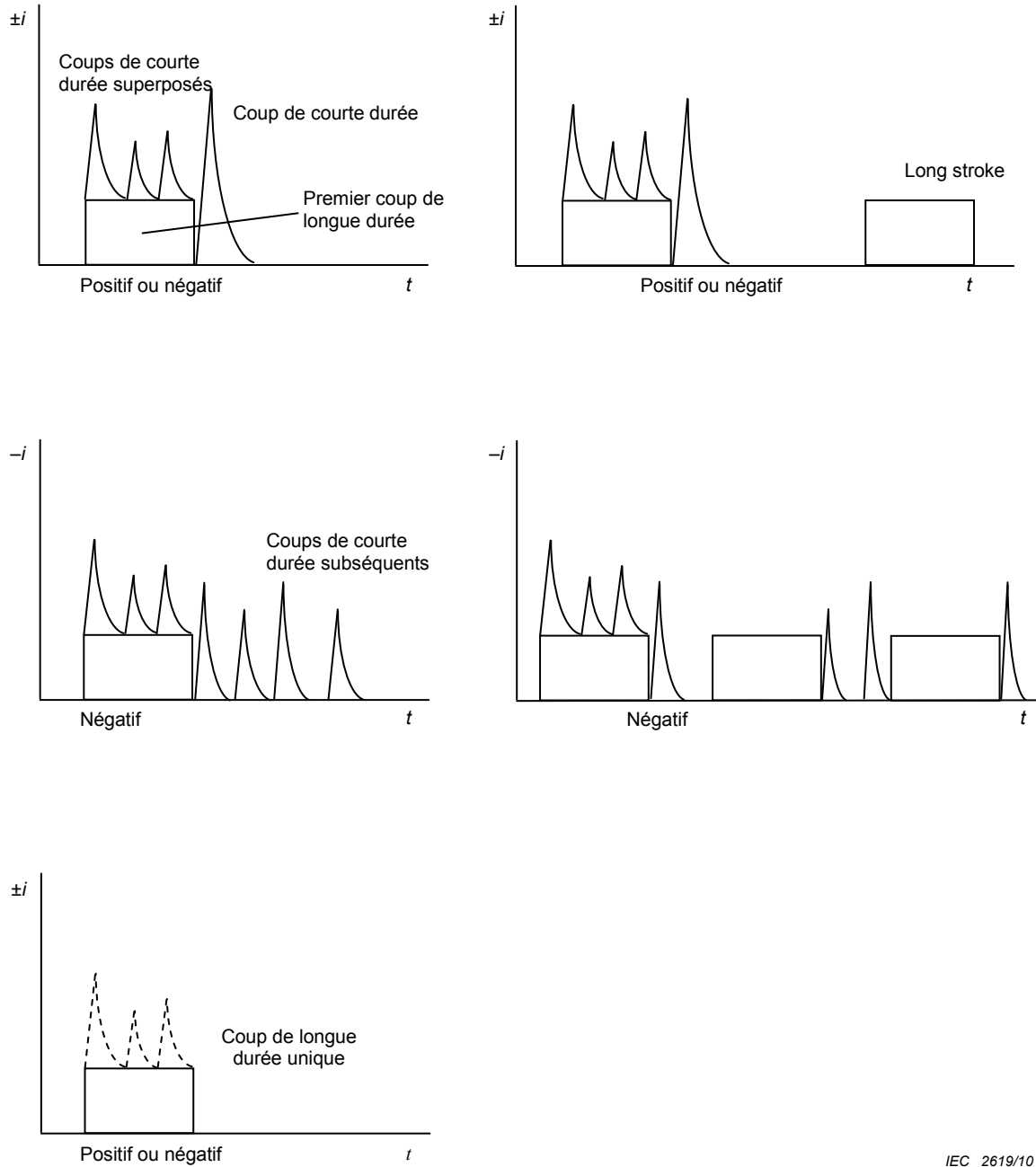
Figure A.2 – Définitions des paramètres d'un choc de longue durée (généralement $2\text{ ms} < T_{LONG} < 1\text{ s}$)

Une différence complémentaire des coups vient de leur polarité (positive ou négative) et de leur emplacement lors de l'éclair (premier, subséquent, superposé). Les composantes possibles sont indiquées à la Figure A.3 pour les éclairs descendants et à la Figure A.4 pour les éclairs ascendants.



IEC 2618/10

Figure A.3 – Composantes possibles d'éclairs descendants (typiques en plaine et sur des structures peu élevées)



IEC 2619/10

Figure A.4 – Composantes possibles d'éclairs ascendants (typiques sur des structures exposées et/ou élevées)

La composante supplémentaire dans un éclair ascendant est le premier coup long avec ou non jusqu'à une dizaine de chocs superposés. Mais, tous les paramètres de courant de choc des éclairs ascendants sont inférieurs à ceux des éclairs descendants. Une charge de coup de foudre de longue durée supérieure n'est pas confirmée à ce jour. Toutefois, les paramètres du courant de foudre des éclairs ascendants sont considérés comme couverts par les valeurs maximales des éclairs descendants. Une évaluation plus précise des paramètres du courant de foudre et leur dépendance vis-à-vis des hauteurs tant pour les éclairs ascendants que descendants sont à l'étude.

A.2 Paramètres du courant de foudre

Les paramètres du courant de foudre dans la présente partie de la CEI 62305 se fondent sur les résultats du Conseil International des Grands Réseaux Electriques (CIGRE) donnés dans le Tableau A.1. Leur distribution statistique peut être considérée comme une distribution logarithmique normale. La valeur moyenne correspondante μ et la dispersion σ_{\log} sont données dans le Tableau A.2 et la fonction de distribution est présentée à la Figure A.5. Sur cette base, la probabilité d'apparition de toute valeur de chacun des paramètres peut être déterminée.

Un rapport de polarité de 10 % de coups positifs et de 90 % de coups négatifs est admis. Le rapport de polarité est fonction de l'environnement. En cas d'absence d'informations locales, il est recommandé de prendre le rapport donné.

La probabilité d'occurrence de valeurs crête du courant de foudre dépassant la valeur précédemment considérée est présentée au Tableau A.3.

Tableau A.2 – Distribution logarithmique normale des paramètres de courant de foudre – Valeurs moyennes μ et log de dispersion σ_{\log} calculés à partir des valeurs pour 95 % et 5 % du CIGRE (Electra n° 41 ou n° 69) [3], [4]

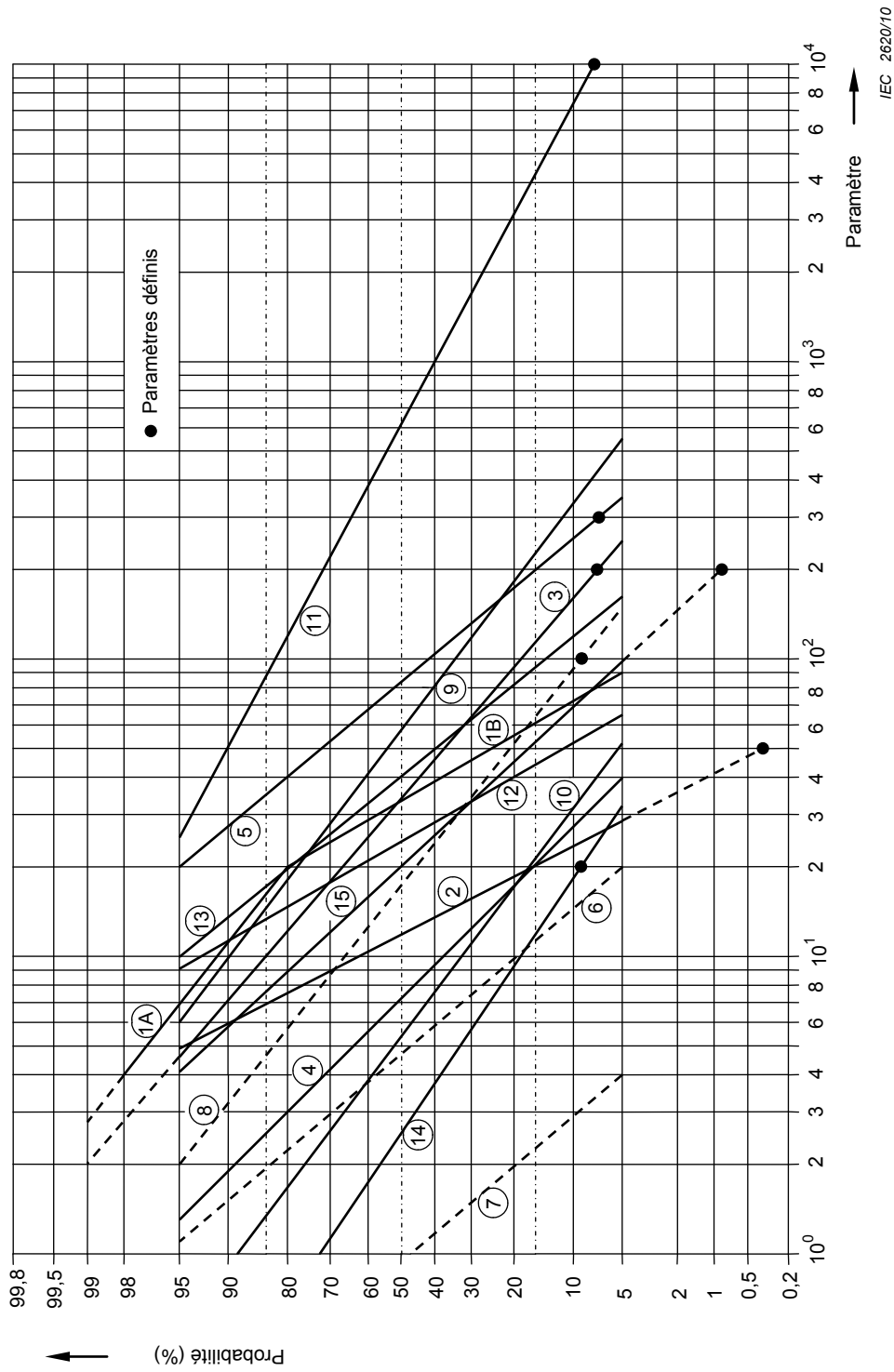
Paramètre	Moyenne μ	Dispersion ^a σ_{\log}	Type de choc	Ligne de la Figure A.5
I (kA)	(61,1)	0,576	Premier court négatif (80 %) ^b	1A
	33,3	0,263	Premier court négatif (80 %) ^b	1B
	11,8	0,233	Subséquent court négatif ^b	2
	33,9	0,527	Premier court positif (seul)	3
Q_{FLASH} (C)	7,21	0,452	Eclair négatif	4
	83,7	0,378	Eclair positif	5
Q_{SHORT} (C)	4,69	0,383	Premier court négatif	6
	0,938	0,383	Court consécutif négatif	7
	17,3	0,570	Premier court positif (seul)	8
W/R (kJ/ Ω)	57,4	0,596	Premier court négatif	9
	5,35	0,600	Court consécutif négatif	10
	612	0,844	Premier court positif	11
di/dt_{max} (kA/ μ s)	24,3	0,260	Premier court négatif ^b	12
	40,0	0,369	Subséquent court négatif ^b	13
	2,53	0,670	Premier court positif	14
$di/d_{t_{30\%/90\%}}$ (kA/ μ s)	20,1	0,420	Subséquent court négatif ^b	15
Q_{LONG} (C)	200		Long	
T_{LONG} (s)	0,5		Long	
Durée de la montée (μ s)	5,69	0,304	Premier court négatif	
	0,995	0,398	Court consécutif négatif	
	26,5	0,534	Premier court positif (seul)	
Durée de choc (μ s)	77,5	0,250	Premier court négatif	
	30,2	0,405	Court consécutif négatif	
	224	0,578	Premier court positif (seul)	
Intervalle de temps (ms)	32,4	0,405	Coups négatifs multiples	
Durée totale éclair (ms)	12,8	1,175	Eclair négatif (tous)	
	167	0,445	Eclair négatif (sans simple)	
	83,7	0,472	Eclair positif	

^a $\sigma_{\log} = \log(X_{16\%}) - \log(X_{50\%})$ où X est la valeur du paramètre.

^b Les paramètres et les valeurs pertinentes sont rapportés dans Electra n° 69.

Tableau A.3 – Valeurs de probabilité P comme fonction du courant de foudre I

I (kA)	P
0	1
3	0,99
5	0,95
10	0,9
20	0,8
30	0,6
35	0,5
40	0,4
50	0,3
60	0,2
80	0,1
100	0,05
150	0,02
200	0,01
300	0,005
400	0,002
600	0,001



NOTE Pour la numérotation des courbes, voir les Tableaux A.1 et A.2.

Figure A.5 – Fréquence de distribution cumulative des paramètres du courant de foudre (valeurs de 95 % à 5 %)

Toutes les valeurs, fixées pour un niveau de protection, données dans la présente norme se rapportent tant aux éclairs ascendants que descendants.

NOTE Les valeurs des paramètres de foudre sont généralement obtenues par mesures effectuées sur des structures de grande hauteur. La distribution statistique des valeurs crête du courant de foudre ne considérant pas les structures de grande hauteur peuvent être obtenues par des systèmes locaux de détection.

A.3 Détermination des valeurs maximales du courant de foudre pour NPF I

A.3.1 Choc positif

Les effets mécaniques de la foudre sont liés à la valeur crête du courant (I), et à l'énergie spécifique (W/R). Les effets thermiques sont liés à l'énergie spécifique (W/R) lorsqu'un couplage résistif a lieu et à la charge (Q) si des arcs se produisent dans l'installation. Des surtensions et des étincelles dangereuses dues à un couplage inductif sont liées à la raideur moyenne (di/dt) du courant de foudre de montée.

Chacun de ces paramètres (I , Q , W/R , di/dt) a tendance à être prééminent lors de chaque mécanisme de défaillance. Cela doit être pris en compte lors de l'élaboration des procédures d'essais.

A.3.2 Choc positif et coup de foudre de longue durée

Les valeurs I , Q et W/R liées aux effets mécaniques et thermiques sont déterminés à partir de coups positifs (car 10 % de leurs valeurs sont beaucoup plus élevées que les 1 % correspondant des coups négatifs). A partir de la Figure A.5 (lignes 3, 5, 8, 11 et 14), les valeurs suivantes, avec des probabilités inférieures à 10 %, peuvent être prises:

I	= 200 kA
Q_{FLASH}	= 300 C
Q_{SHORT}	= 100 C
W/R	= 10 MJ/ Ω
di/dt	= 20 kA/ μ s

Pour un premier choc conformément à la Figure A.1, ces valeurs donnent une première approximation du temps de montée:

$$T_1 = I / (di/dt) = 10 \mu s \quad (T_1 \text{ est négligeable})$$

Pour un coup avec retard exponentiel, la formule suivante est applicable pour calculer une valeur approchée de charge et d'énergie ($T_1 \ll T_2$):

$$Q_{SHORT} = (1/0,7) \times I \times T_2$$

$$W/R = (1/2) \times (1/0,7) \times I^2 \times T_2$$

Ces formules associées aux valeurs ci-dessus conduisent à une première approximation du temps jusqu'à mi-valeur:

$$T_2 = 350 \mu s$$

Pour un coup long, sa charge approchée peut être calculée par:

$$Q_{LONG} = Q_{FLASH} - Q_{SHORT} = 200 \text{ C}$$

Sa durée, conformément à la Figure A.2, peut être calculée à partir des données du Tableau A.1:

$$T_{LONG} = 0,5 \text{ s}$$

A.3.3 Premier choc négatif

Pour certains effets de couplage inductif, le premier choc négatif entraîne des tensions induites maximales, par exemple, pour les câbles à l'intérieur des conduites de câble en béton armé. A partir de la Figure A.5 (lignes 1 et 12), les valeurs suivantes peuvent être prises avec des probabilités inférieures à 1 %:

$$I = 100 \text{ kA}$$

$$di/dt = 100 \text{ kA}/\mu\text{s}$$

Pour un premier choc négatif conforme à la Figure A.1, ces valeurs donnent un temps de montée approximatif de:

$$T_1 = I / (di/dt) = 1,0 \mu\text{s}$$

Le temps jusqu'à mi-valeur peut être estimé à partir des durées de coup de foudre des premiers chocs négatifs:

$$T_2 = 200 \mu\text{s} \quad (T_2 \text{ est négligeable}).$$

A.3.4 Choc subséquent

La valeur maximale de la raideur moyenne di/dt liée à des étincelles dangereuses dues à un couplage inductif est déterminée à partir de chocs subséquents d'éclairs négatifs (car leur valeur à 1 % est nettement supérieure au 1 % des premiers coups négatifs ou des 10 % correspondant aux éclairs positifs). A partir de la Figure A.5 (lignes 2 et 15), les valeurs suivantes peuvent être prises avec des probabilités inférieures à 1 %:

$$I = 50 \text{ kA}$$

$$di/dt = 200 \text{ kA}/\mu\text{s}$$

Pour un choc subséquent conforme à la Figure A.1, ces valeurs donnent un temps de montée approximatif de:

$$T_1 = I / (di/dt) = 0,25 \mu\text{s}$$

Le temps jusqu'à mi-valeur peut être estimé à partir des durées des chocs négatifs subséquents:

$$T_2 = 100 \mu\text{s} \quad (T_2 \text{ est négligeable}).$$

A.4 Détermination des valeurs minimales du courant de foudre

L'efficacité d'interception d'un SPF dépend des valeurs minimales du courant de foudre et du rayon correspondant de la sphère fictive. Les frontières géométriques des zones protégées contre les coups de foudre directs peuvent être déterminées par la méthode de la sphère fictive.

Selon le modèle électrogéométrique, le rayon de la sphère fictive r est lié à la valeur crête du courant du premier courant de choc. Dans le rapport d'un groupe de travail de l'IEEE ^[5], la relation donnée est:

$$r = 10 \times I^{0,65} \tag{A.1}$$

où

r est le rayon de la sphère fictive (m);

I est la valeur crête du courant (kA).

Pour une sphère fictive de rayon r , il peut être supposé que tous les coups de foudre dont la valeur crête est supérieure à la valeur correspondante minimale de I seront interceptés par des dispositifs de capture naturels ou dédiés. C'est pourquoi la probabilité de valeurs crêtes de coups positifs et négatifs des premiers coups donnés à la Figure A.5 (lignes 1A et 3) correspond à une probabilité d'interception. En tenant compte du rapport de polarité de 10 % de coups positifs et de 90 % de coups négatifs, la probabilité globale d'interception peut être calculée (voir Tableau 5).

Annexe B (informative)

Fonctions temporelles du courant de foudre à des fins d'analyse

Les formes d'ondes du courant

- du premier choc positif 10/350 μs ,
- du premier choc négatif 1/200 μs ,
- des chocs négatifs subséquents 0,25/100 μs ,

peuvent être définies par:

$$i = \frac{I}{k} \times \frac{(t/T_1)^{10}}{1+(t/T_1)^{10}} \times \exp(-t/T_2) \quad (\text{B.1})$$

où

I est le courant de crête;

k est le facteur de correction du courant de crête;

t est le temps;

T_1 est la constante du temps de montée;

T_2 est la constante de durée sur la queue.

Pour les formes de courant du premier choc positif, du premier choc négatif et des chocs négatifs subséquents pour divers NPF, les paramètres donnés dans le Tableau B.1 sont applicables. Les courbes d'analyse en fonction du temps sont données dans les Figures B.1 à B.6.

Tableau B.1 – Paramètres pour l'Equation (B.1)

Paramètre	Premier choc positif			Premier choc négatif			Choc négatif subséquent		
	NPF			NPF			NPF		
	I	II	III-IV	I	II	III-IV	I	II	III-IV
I (kA)	200	150	100	100	75	50	50	37,5	25
k	0,93	0,93	0,93	0,986	0,986	0,986	0,993	0,993	0,993
T_1 (μs)	19	19	19	1,82	1,82	1,82	0,454	0,454	0,454
T_2 (μs)	485	485	485	285	285	285	143	143	143

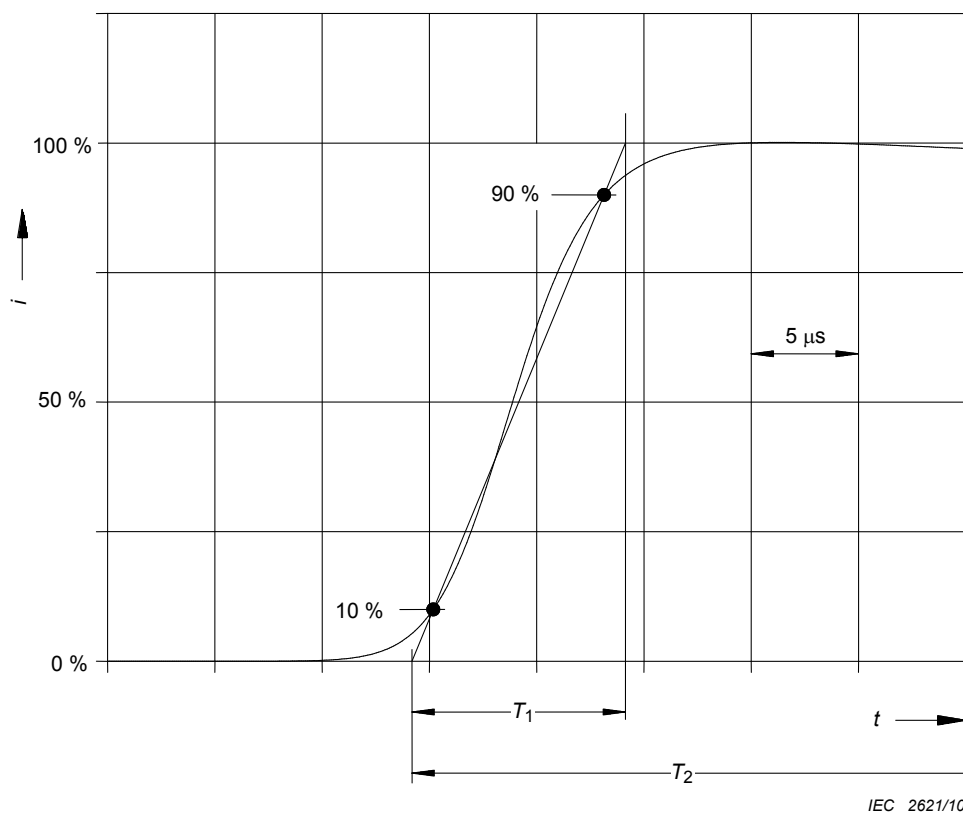


Figure B.1 – Forme de la montée du courant du premier choc positif

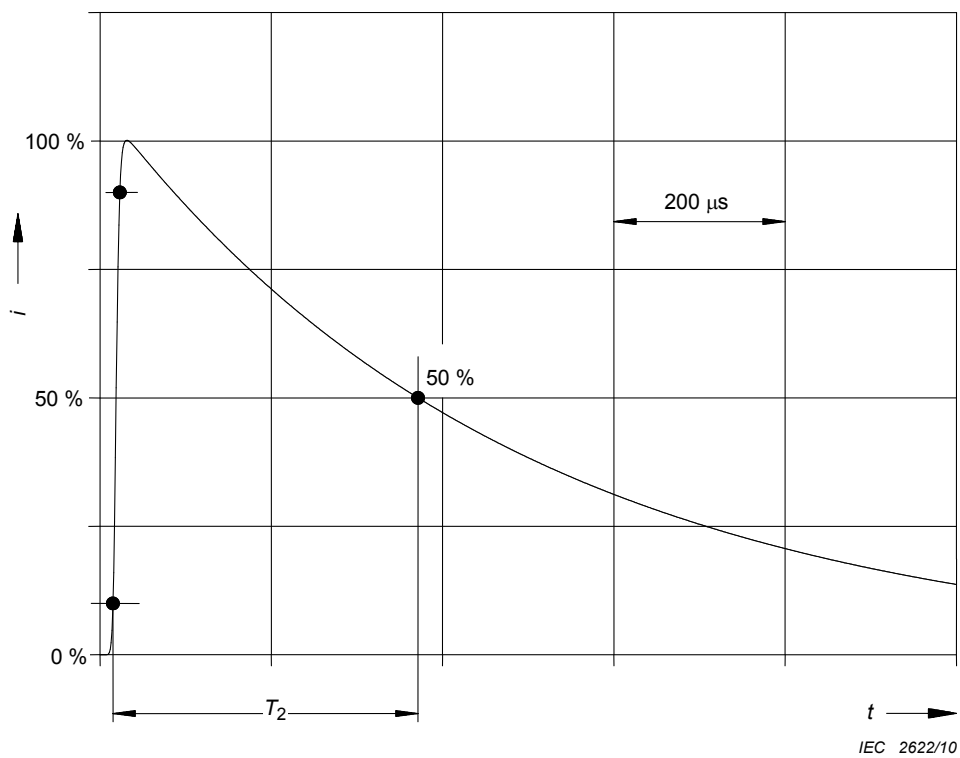


Figure B.2 – Forme du courant sur la queue du premier choc positif

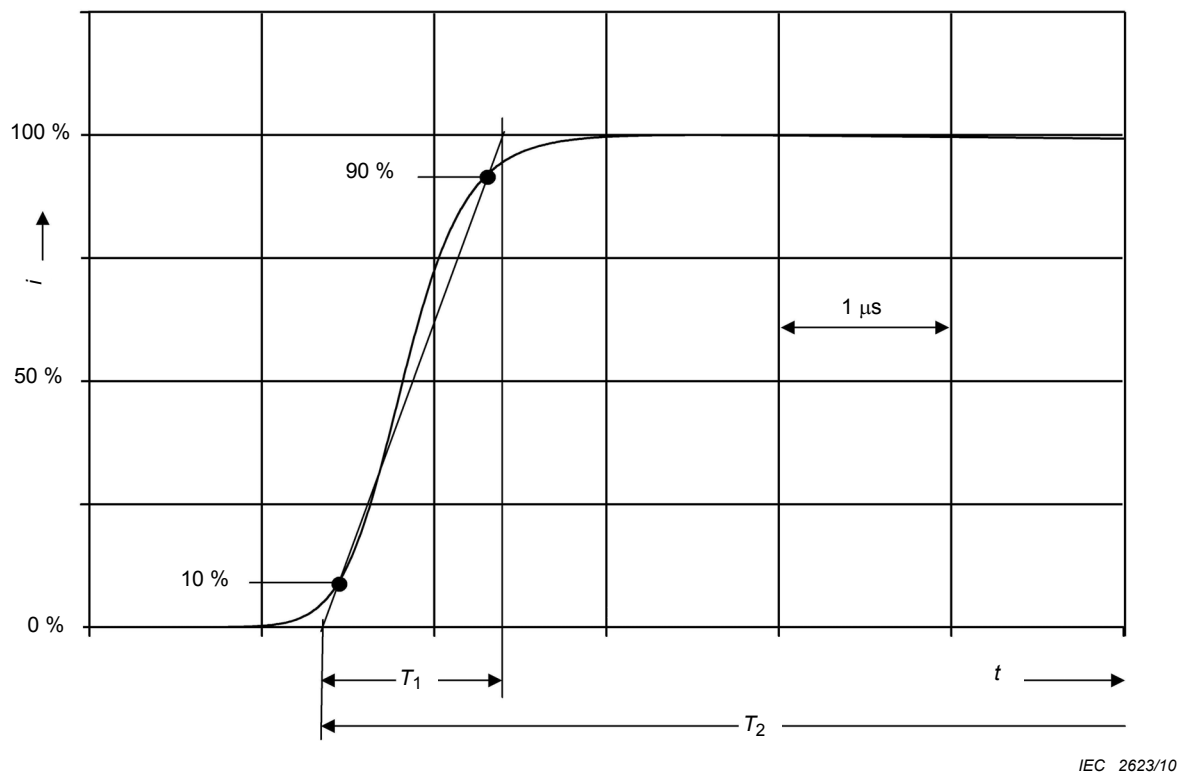
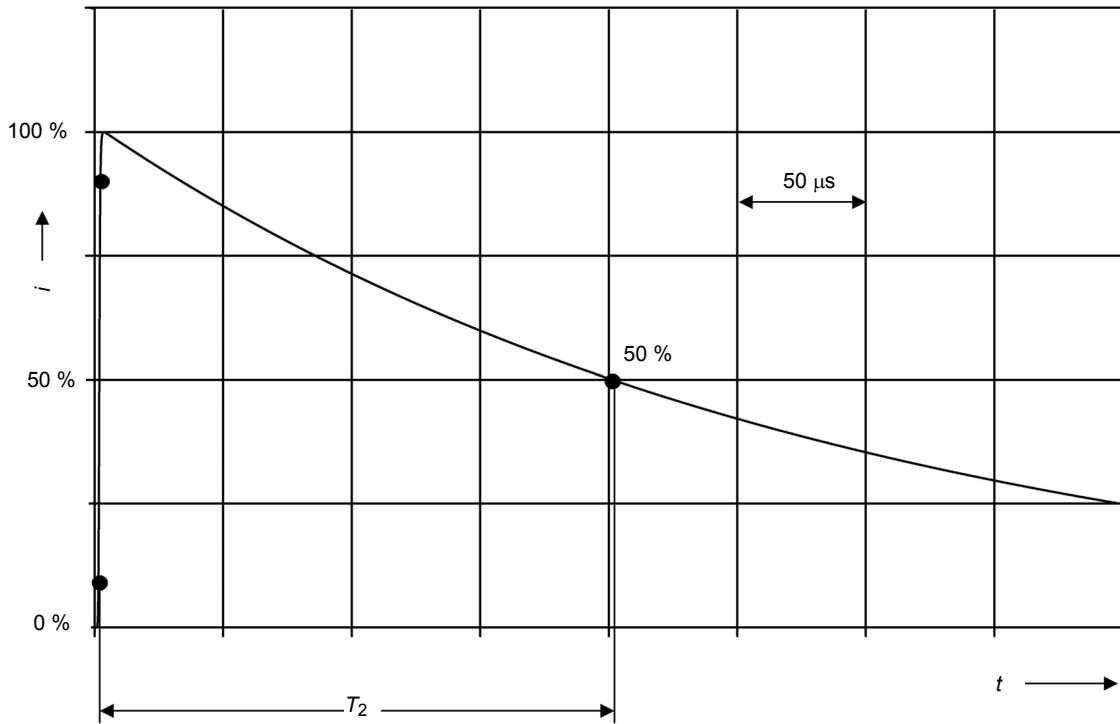


Figure B.3 – Forme de la montée du courant du premier choc négatif



IEC 2624/10

Figure B.4 – Forme du courant sur la queue du premier choc négatif

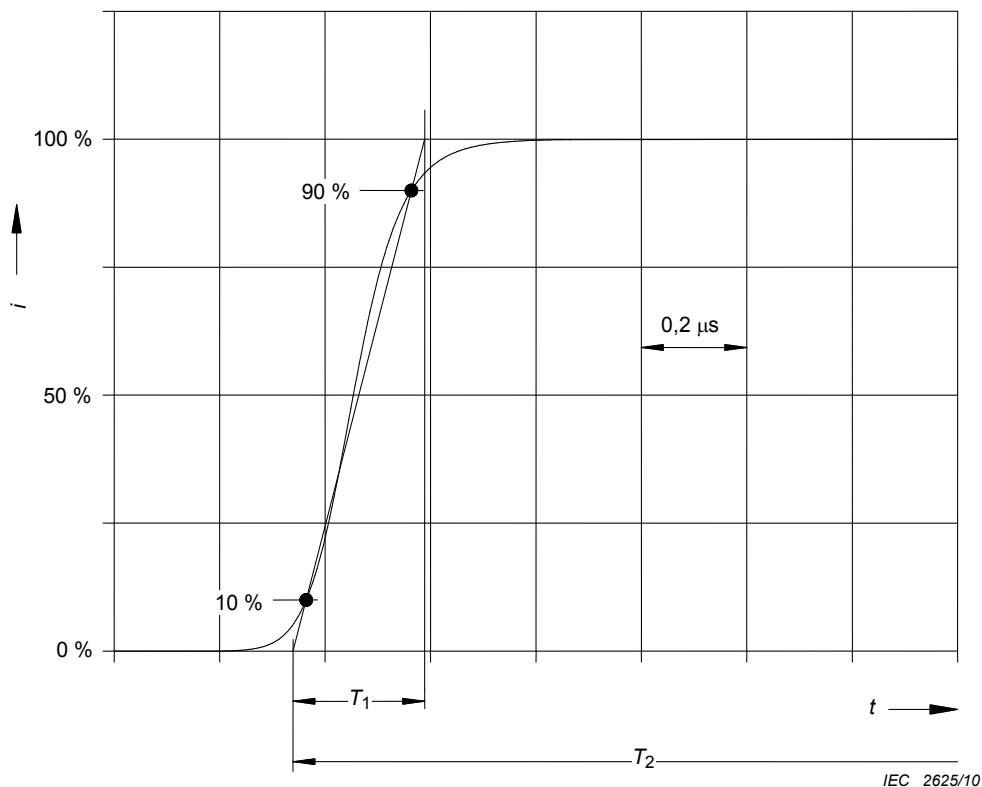


Figure B.5 – Forme de la montée du courant des chocs négatifs subséquents

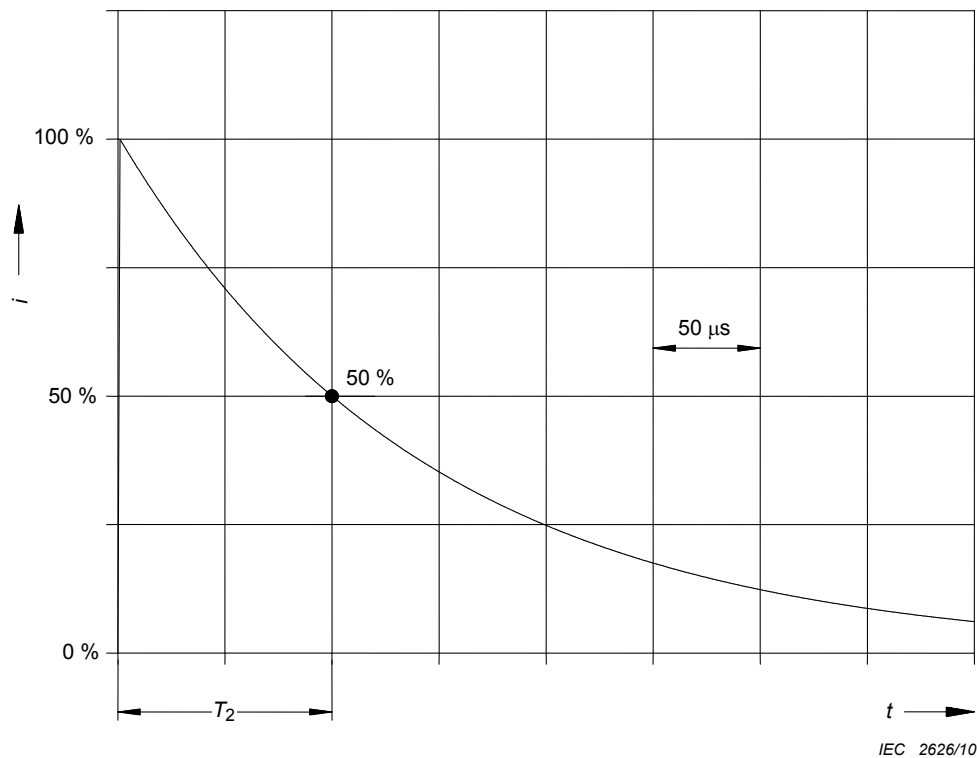


Figure B.6 – Forme du courant sur la queue des chocs négatifs subséquents

Un coup long peut être défini par une forme d'onde rectangulaire avec un courant moyen de I et une durée T_{LONG} donnée dans le Tableau 3.

A partir des courbes d'analyse en fonction du temps, les valeurs de densité du courant de foudre (Figure B.7) peuvent être dérivées.

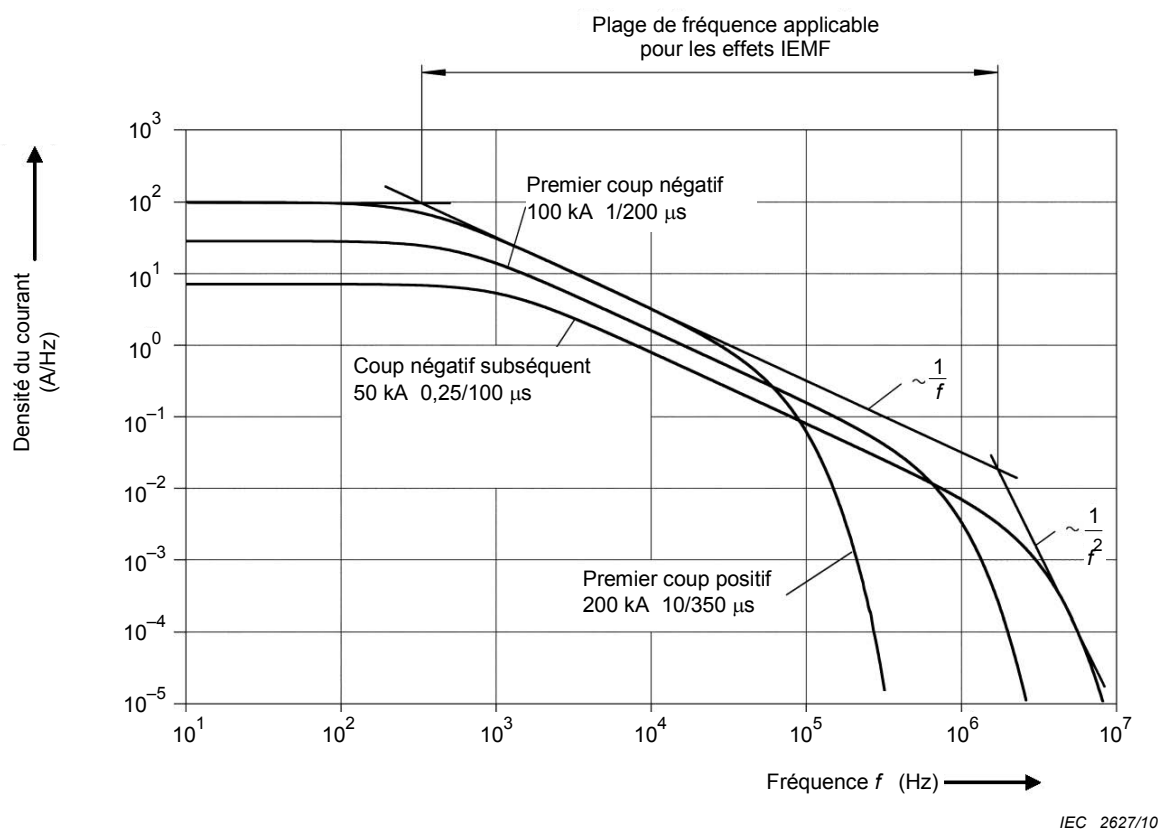


Figure B.7 – Densité du courant de foudre pour le niveau de protection I

Annexe C (informative)

Simulation du courant de foudre aux fins d'essais

C.1 Généralités

Si une structure est frappée par la foudre, le courant de foudre se répartit dans la structure. Lors des essais des mesures sur des éléments de protection individuelle, cela doit être pris en compte en choisissant les paramètres d'essais adaptés pour chaque élément. A cette fin, une analyse du système doit être effectuée.

C.2 Simulation de l'énergie spécifique du premier choc positif et de la charge du coup de foudre de longue durée

Des paramètres d'essai sont définis aux Tableaux C.1 et C.2 et un exemple de générateur d'essai est représenté à la Figure C.1. Ce générateur peut être utilisé pour la simulation de l'énergie spécifique du premier choc positif associé à la charge d'un coup long.

Ces essais peuvent être utilisés pour évaluer l'intégrité mécanique et l'absence d'échauffements indésirables et d'effets de fusion.

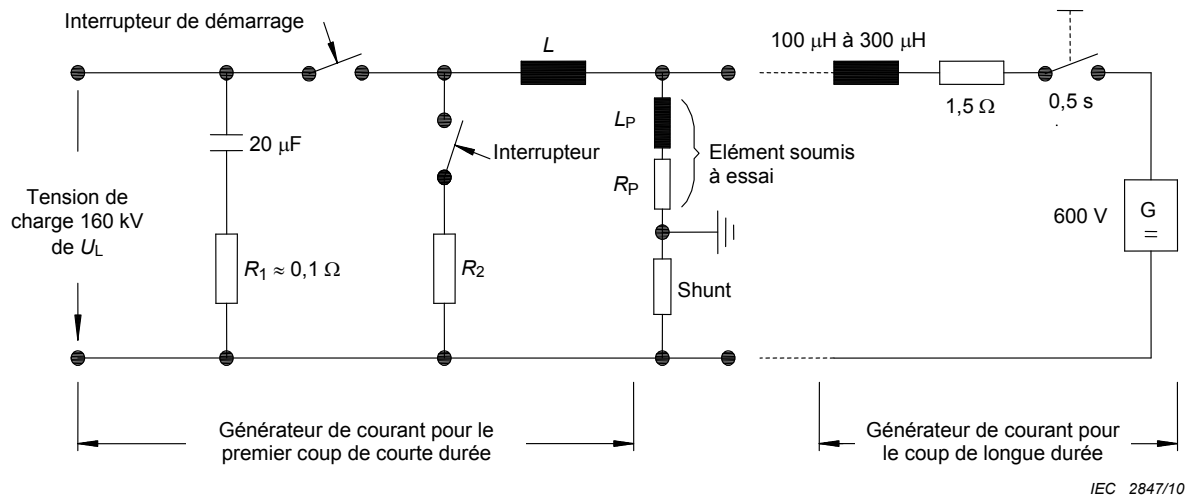
Les paramètres d'essai pour la simulation d'un premier coup court (courant crête I , énergie spécifique W/R , et charge Q_{SHORT}) sont indiqués au Tableau C.1. Il est recommandé d'obtenir ces paramètres dans le même choc. Cela peut être réalisé par un courant décroissant de manière approximativement exponentielle avec T_2 dans la plage des 350 μs .

Les paramètres d'essai pour la simulation du coup long (charge Q_{LONG} et durée T_{LONG}) sont indiqués au Tableau C.2.

Selon le type d'essai et les mécanismes des dommages prévus, les essais pour le premier choc positif ou pour le coup de longue durée peuvent être effectués un par un ou de manière associée, où le coup de longue durée suit immédiatement le premier choc. Il convient d'effectuer les essais de fusion à l'arc avec les deux polarités.

NOTE Le premier choc négatif ne sera pas utilisé pour les essais.

Copyright International Electrotechnical Commission
Provided by IHS under license with IEC
No reproduction or networking permitted without license from IHS



NOTE Les valeurs sont applicables à NPF I.

Figure C.1 – Exemple de générateur d'essai pour la simulation de l'énergie spécifique du premier choc positif et pour la charge du coup de foudre de longue durée

Tableau C.1 – Paramètres d'essai du premier choc positif

Paramètres d'essai		NPF			Tolérance %
		I	II	III – IV	
Courant crête <i>I</i>	(kA)	200	150	100	±10
Charge <i>Q</i> _{SHORT}	(C)	100	75	50	±20
Energie spécifique <i>W/R</i>	(MJ/Ω)	10	5,6	2,5	±35

Tableau C.2 – Paramètres d'essais du coup de foudre de longue durée

Paramètres d'essai		NPF			Tolérance %
		I	II	III – IV	
Charge <i>Q</i> _{LONG}	(C)	200	150	100	±20
Durée <i>T</i> _{LONG}	(s)	0,5	0,5	0,5	±10

C.3 Simulation de la raideur du courant de montée des chocs

La raideur du courant détermine les tensions magnétiques induites dans les boucles proches des conducteurs écouant le courant de foudre.

La raideur du courant d'un choc est définie comme l'élévation du courant Δi pendant le temps de montée Δt (Figure C.2). Les paramètres d'essai pour la simulation de cette raideur de courant sont donnés dans le Tableau C.3. Des exemples de générateur d'essai sont donnés aux Figures C.3 et C.4, (ils peuvent être utilisés pour la simulation de la raideur d'un courant de foudre associé à un coup de foudre direct). La simulation peut être réalisée pour un premier choc positif et un choc négatif subséquent.

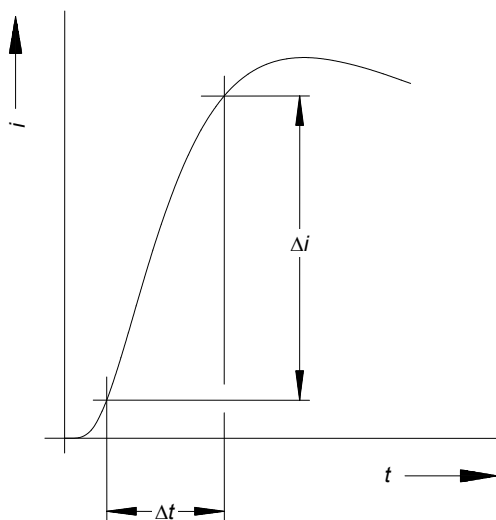
NOTE Cette simulation traite de la raideur du courant de montée des chocs. La queue du courant n'a pas d'influence dans ce type de simulation.

La simulation conforme à l'Article C.3 peut être appliquée indépendamment ou combinée avec la simulation décrite à l'Article C.2.

Pour des informations complémentaires sur les paramètres d'essais simulant les effets de la foudre sur les composants d'un SPF, voir l'Annexe D.

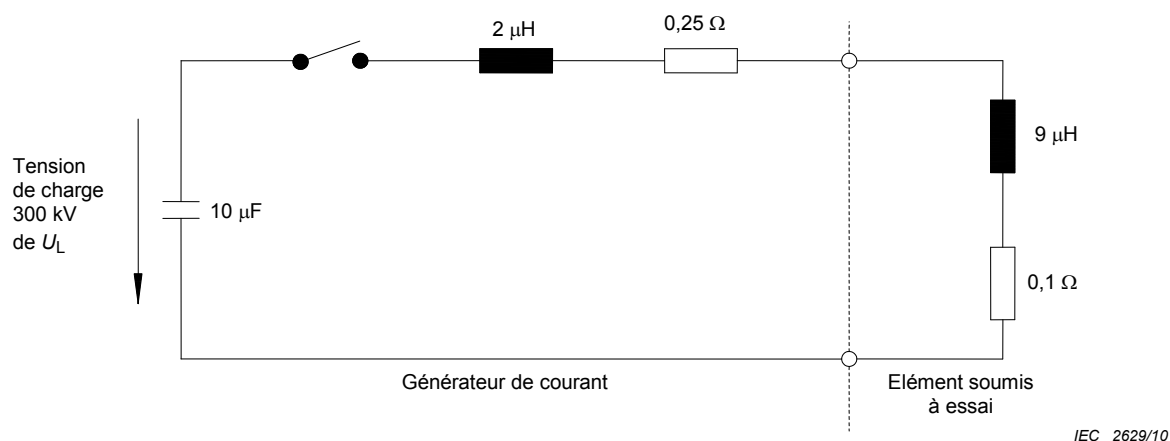
Tableau C.3 – Paramètres d'essai des chocs

Paramètres d'essai	NPF			Tolérance %
	I	II	III – IV	
Premier choc positif				
Δi (kA)	200	150	100	±10
Δt (μs)	10	10	10	±20
Chocs négatifs subséquents				
Δi (kA)	50	37,5	25	±10
Δt (μs)	0,25	0,25	0,25	±20



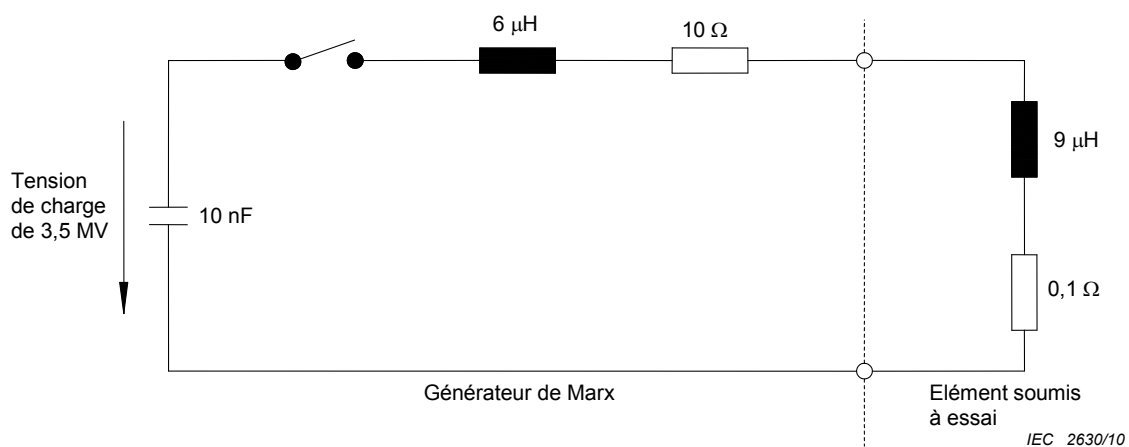
IEC 2628/10

Figure C.2 – Définition de la raideur du courant conformément au Tableau C.3



NOTE Ces valeurs sont applicables à NPF I.

Figure C.3 – Exemple de générateur d'essai pour la simulation de la raideur du front du premier coup de foudre court pour des appareils d'essais importants



NOTE Ces valeurs sont applicables à NPF I.

Figure C.4 – Exemple de générateur d'essai pour la simulation de la raideur du front des chocs négatifs subséquents pour des appareils d'essais importants

Annexe D (informative)

Paramètres d'essais simulant les effets de la foudre sur les composants des systèmes de protection contre la foudre (SPF)

D.1 Généralités

La présente Annexe D donne les paramètres fondamentaux qui peuvent être utilisés dans les laboratoires pour simuler les effets de la foudre. Cette annexe traite de tous les composants d'un SPF soumis tout ou en partie au courant de foudre et peut être utilisée en association avec les normes spécifiant les exigences et les essais pour chaque composant spécifique.

NOTE Les paramètres relatifs aux aspects des réseaux (par exemple, coordination des parafoudres) ne sont pas traités dans la présente annexe.

D.2 Paramètres du courant relatifs au point d'impact

Les paramètres du courant de foudre jouant un rôle dans l'intégrité physique d'un système de protection contre la foudre sont généralement le courant crête I , la charge Q , l'énergie spécifique W/R , la durée T et la raideur moyenne du courant di/dt . Chaque paramètre peut entraîner une défaillance différente comme indiqué ci-dessous. Les paramètres de courant à considérer pour les essais sont des combinaisons de ces valeurs, choisies pour simuler en laboratoire le mécanisme de défaillance réel de la partie du système de protection contre la foudre soumise à l'essai. Le critère de choix des valeurs représentatives est donné à l'Article D.5.

Le Tableau D.1 donne les valeurs maximales de I , Q , W/R , T et di/dt à prendre en compte lors des essais, en fonction du niveau de protection requis.

Tableau D.1 – Synthèse des paramètres de foudre à considérer pour le calcul des valeurs d'essais pour divers composants des SPF et pour divers niveaux de protection

Composant	Problèmes principaux	Paramètres de foudre					Notes
Dispositif de capture	Erosion au point de contact (par exemple, revêtements fins)	NPF	Q_{LONG} C	T			
		I	200	< 1 s (pour Q_{LONG} en un seul coup)			
		II	150				
		III-IV	100				
Dispositif de capture et conducteurs de descente	Echauffement ohmique	NPF	W/R kJ/Ω	T			Le dimensionnement selon la CEI 62305-3 rend les essais caducs
		I	10 000	Pour W/R en configuration adiabatique			
		II	5 600				
	III-IV	2 500					
	Effets mécaniques	NPF	I kA	W/R kJ/Ω			
		I	200	10 000			
II		150	5 600				
III-IV	100	2 500					
Composants de connexion	Effets combinés (thermiques, mécaniques et arcs)	NPF	I kA	W/R kJ/Ω	T		
		I	200	10 000	< 2 ms (pour I et W/R en un seul choc)		
		II	150	5 600			
		III-IV	100	2 500			
Prises de terre	Erosion au point de contact	NPF	Q_{LONG} C	T			Dimensionnement déterminé par les aspects mécaniques et chimiques (corrosion, etc.)
		I	200	< 1 s (pour Q_{LONG} en un seul coup)			
		II	150				
		III-IV	100				
Parafoudres avec éclateurs	Effets combinés (thermiques, mécaniques et arcs)	NPF	I kA	Q_{SHORT} C	W/R kJ/Ω	di/dt kA/μs	Pour I , Q_{SHORT} , et W/R dans un seul coup (durée $T < 2$ ms); pour $\Delta i/\Delta t$ dans un coup distinct
		I	200	100	10 000	200	
		II	150	75	5 600	150	
		III-IV	100	50	2 500	100	
Parafoudres incorporant des varistances	Effets énergétiques (surcharges)	NPF	Q_{SHORT} C				Les deux aspects doivent être contrôlés
		I	100				
		II	75				
	Effets diélectriques (amorçages, craquelures)	NPF	I kA	T			Des essais distincts peuvent être effectués
		I	200	< 2 ms (pour I dans un seul coup)			
		II	150				
III-IV	100						

D.3 Partage du courant

Les paramètres donnés dans le Tableau D.1 sont relatifs au courant de foudre au point d'impact. En réalité, le courant s'écoule à la terre par plusieurs chemins, car plusieurs conducteurs de descente et conducteurs naturels existent normalement dans un système de protection externe contre la foudre. De plus, différentes lignes pénètrent dans la structure à protéger (canalisations d'eau, de gaz, lignes de puissance et de communication, etc.). Pour la détermination des paramètres du courant s'écoulant dans des composants spécifiques du système de protection contre la foudre, le partage du courant doit être pris en compte. De préférence, il convient d'estimer l'amplitude et la forme du courant à travers un composant en un emplacement spécifique du système de protection contre la foudre. Si une estimation individuelle n'est pas possible, les paramètres du courant peuvent être estimés par les méthodes qui suivent.

Pour l'évaluation du partage du courant dans le système de protection externe contre la foudre, le facteur de configuration k_c (voir l'Annexe C de la CEI 62305-3:2010) peut être adopté. Ce facteur donne une estimation du partage du courant de foudre s'écoulant dans les conducteurs de descente du système de protection externe contre la foudre dans les conditions les plus défavorables.

Pour l'évaluation du partage du courant en présence d'éléments conducteurs extérieurs et de lignes de puissance et de communication connectées à la structure protégée, les valeurs approximatives de k_e et de k'_e données à l'Annexe E peuvent être adoptées.

L'approche décrite ci-dessus est applicable à l'évaluation de la valeur crête du courant s'écoulant dans un chemin particulier à la terre. Le calcul des autres paramètres du courant est réalisé comme suit:

$$I_p = k \times I \quad (D.1)$$

$$Q_p = k \times Q \quad (D.2)$$

$$(W/R)_p = k^2 \times (W/R) \quad (D.3)$$

$$\left(\frac{di}{dt}\right)_p = k \times \left(\frac{di}{dt}\right) \quad (D.4)$$

où

x_p est la valeur de la quantité considérée (valeur crête du courant I_p , charge Q_p , énergie spécifique $(W/R)_p$, raideur du courant $(di/dt)_p$) pour un trajet à la terre particulier "p";

x est la valeur de la quantité considérée (valeur crête du courant I , charge Q , énergie spécifique (W/R) , raideur du courant (di/dt)) pour le courant de foudre total;

k est le facteur de répartition du courant;

- k_c pour un système de protection externe contre la foudre (voir l'Annexe C de la CEI 62305-3:2010);
- k_e, k'_e en présence d'éléments conducteurs extérieurs et de lignes de puissance et de communication pénétrant dans la structure protégée (voir Annexe E).

D.4 Effets du courant de foudre entraînant des dommages éventuels

D.4.1 Effets thermiques

Les effets thermiques associés au courant de foudre concernent l'échauffement résistif dû à la circulation d'un courant électrique à travers la résistance d'un conducteur ou dans un système

de protection. Les effets thermiques concernent également la chaleur générée à la racine des arcs au point d'attache et dans toutes les parties isolées du système de protection contre la foudre impliquées dans le développement d'un arc (par exemple, éclateurs).

D.4.1.1 Echauffement résistif

Un échauffement résistif a lieu dans tout composant du système de protection contre la foudre écoulant une partie significative du courant de foudre. La section minimale des conducteurs doit être suffisante pour empêcher tout échauffement anormal des conducteurs et un danger d'incendie pour l'environnement. En plus des aspects thermiques considérés en D.4.1, la tenue mécanique et le critère de tenue dans le temps doivent être pris en compte pour les parties exposées à des conditions atmosphériques ou à la corrosion. L'évaluation de l'échauffement d'un conducteur dû au passage du courant de foudre est parfois nécessaire lorsque des problèmes peuvent apparaître en raison des risques de blessure, d'incendie ou d'explosion existants.

Des lignes directrices sont données ci-après pour évaluer l'élévation de température des conducteurs soumis au passage d'un courant de foudre.

Une approche analytique est présentée comme suit:

La puissance instantanée dissipée en chaleur dans un conducteur en raison du passage d'un courant électrique est donnée par:

$$P(t) = i^2(t) \times R \quad (D.5)$$

L'énergie thermique générée par le choc de foudre complet est donc égale au produit de la résistance ohmique du chemin de foudre dans le composant du système de protection contre la foudre considéré, et de l'énergie spécifique du choc, et est exprimée en Joules (J) ou Watt-secondes (W×s).

$$W = R \times \int i^2(t) \times dt \quad (D.6)$$

Lors d'une décharge de foudre, les phases à énergie spécifique très élevée de l'éclair sont de durée trop faible pour un échauffement significatif de la structure, le phénomène est donc considéré comme adiabatique.

La température des conducteurs du système de protection contre la foudre peut être évaluée comme suit:

$$\theta - \theta_0 = \frac{1}{\alpha} \left[\exp\left(\frac{W}{R} \times \frac{\alpha \times \rho_0}{q^2 \times \gamma \times C_w} \right) - 1 \right] \quad (D.7)$$

Les valeurs caractéristiques des paramètres physiques de l'Equation (D.7), pour divers matériaux utilisés dans les systèmes de protection contre la foudre, sont indiquées dans le Tableau D.2 où

- $\theta - \theta_0$ est l'élévation de température des conducteurs (K);
- α est le coefficient de température de la résistance (1/K);
- W/R est l'énergie spécifique du courant de choc (J/Ω);
- ρ_0 est la résistance ohmique spécifique du conducteur à la température ambiante (Ωm);
- q est la zone de section du conducteur (m²);
- γ est la densité du matériau (kg/m³);
- C_w est la capacité thermique (J/kgK);

C_s est la chaleur spécifique de fusion (J/kg);

θ_s est la température de fusion ($^{\circ}\text{C}$).

Tableau D.2 – Caractéristiques physiques de matériaux typiques utilisés dans les composants des SPF

Quantité	Matériau			
	Aluminium	Acier doux	Cuivre	Acier inoxydable ^a
$\rho_0(\Omega\text{m})$	29×10^{-9}	120×10^{-9}	$17,8 \times 10^{-9}$	700×10^{-9}
$\alpha (1/\text{K})$	$4,0 \times 10^{-3}$	$6,5 \times 10^{-3}$	$3,92 \times 10^{-3}$	$0,8 \times 10^{-3}$
$\gamma (\text{kg}/\text{m}^3)$	2 700	7 700	8 920	8 000
$\theta_s (^{\circ}\text{C})$	658	1 530	1 080	1 500
$C_s (\text{J}/\text{kg})$	397×10^3	272×10^3	209×10^3	–
$C_w (\text{J}/\text{kgK})$	908	469	385	500

^a Austénitique non magnétique.

Le Tableau D.3 indique, comme exemple d'application de cette équation, l'élévation de température des conducteurs en divers matériaux en fonction de W/R et de la zone de section du conducteur.

Tableau D.3 – Elévation de température de conducteurs de diverses sections en fonction de W/R

Coupe transversale mm^2	Matériau											
	Aluminium			Acier doux			Cuivre			Acier inoxydable ^a		
	W/R MJ/Ω			W/R MJ/Ω			W/R MJ/Ω			W/R MJ/Ω		
	2,5	5,6	10	2,5	5,6	10	2,5	5,6	10	2,5	5,6	10
4	–	–	–	–	–	–	–	–	–	–	–	–
10	564	–	–	–	–	–	169	542	–	–	–	–
16	146	454	–	1 120	–	–	56	143	309	–	–	–
25	52	132	283	211	913	–	22	51	98	940	–	–
50	12	28	52	37	96	211	5	12	22	190	460	940
100	3	7	12	9	20	37	1	3	5	45	100	190

^a Austénitique non magnétique.

La forme typique d'un coup de foudre est caractérisée par une durée de coup courte (temps jusqu'à mi-valeur de quelques 100 μs) et une valeur crête du courant élevée. Dans ces conditions, il convient de prendre aussi en compte l'évaluation de l'effet de peau. Toutefois, dans la plupart des cas pratiques intéressant les composants du système de protection, les caractéristiques des matériaux (permittivité magnétique dynamique des conducteurs du système de protection) et les configurations géométriques (section des conducteurs) réduisent la contribution de l'effet de peau dans l'élévation de température des conducteurs à des niveaux négligeables.

La composante du coup de foudre qui intéresse essentiellement le mécanisme d'échauffement est le premier coup en retour.

D.4.1.2 Dommages thermiques au point d'impact

Des dommages thermiques au point d'impact peuvent être observés sur tous les composants des systèmes de protection où un arc peut se développer, par exemple, dispositifs de capture, éclateurs, etc.

La fusion et l'érosion des matériaux peuvent se produire au point d'impact. En réalité, à la racine de l'arc, il existe une entrée thermique importante depuis la racine de l'arc et une concentration d'échauffement ohmique en raison de densités élevées de courant. L'essentiel de l'énergie thermique est générée à la surface ou très près du matériau et est donc dissipée par conduction. La chaleur générée à proximité de la racine est en excès par rapport à celle pouvant être absorbée par conduction par le matériau; cet excès entraîne soit la fusion ou la vaporisation du matériau. La sévérité du phénomène dépend de l'amplitude du courant et de sa durée.

D.4.1.2.1 Généralités

Plusieurs modèles théoriques de calcul des effets thermiques en ce point du canal de foudre sur des surfaces métalliques ont été élaborés. Pour des raisons de simplicité, la présente norme ne traitera que du modèle de la chute de tension anode-ou-cathode. L'application de ce modèle est particulièrement efficace pour les couches minces de métal. Dans tous les cas, il donne des résultats sûrs car il suppose que toute l'énergie injectée au point d'impact est utilisée pour la fusion ou la vaporisation du matériau conducteur, en négligeant les transferts dynamiques de chaleur dans les composants du système de protection. D'autres modèles introduisent la dépendance entre les dommages au point d'impact de la foudre et la durée du courant de choc.

D.4.1.2.2 Modèle de la chute de tension anode-ou-cathode

L'énergie d'entrée W à la racine de l'arc est supposée égale à la chute de tension anode/cathode $u_{a,c}$ multipliée par la charge Q du courant de foudre:

$$W = \int_0^{\infty} u_{a,c}(t) i(t) dt = u_{a,c} \int_0^{\infty} |i(t)| dt \quad (D.8)$$

Comme $u_{a,c}$ est considérée comme constante pour les valeurs du courant, la charge du courant de foudre, (Q), est essentiellement la cause de la conversion d'énergie dans la racine de l'arc.

La chute de tension anode/cathode, $u_{a,c}$ présente une valeur de quelques dizaines de volts.

En considérant dans une approche simplifiée que toute l'énergie développée dans la racine de l'arc est utilisée seulement pour la fusion, il est possible de calculer le volume de matériau fondu par l'Equation (D.9).

$$V = \frac{u_{a,c} \times Q}{\gamma} \cdot \frac{1}{C_w \times (\theta_s - \theta_u) + C_s} \quad (D.9)$$

où

- V est le volume de métal fondu (m^3);
- $u_{a,c}$ est la chute de tension anode-cathode (supposée constante) (V);
- Q est la charge du courant de foudre (C);
- γ est la densité du matériau (kg/m^3);
- C_w est la capacité thermique (J/kgK);
- θ_s est la température de fusion ($^{\circ}C$);

θ_u est la température ambiante de l'air (°C);

C_s est la chaleur spécifique de fusion (J/kg).

Les valeurs caractéristiques des paramètres physiques de cette équation, pour divers matériaux utilisés dans les systèmes de protection, sont indiquées dans le Tableau D.2.

En fait, la charge à considérer est la somme des charges du coup en retour et du courant de suite de foudre. De nombreuses années d'expérience de laboratoire ont montré que les effets de la charge du coup en retour sont mineurs par rapport à ceux du courant de suite.

D.4.2 Effets mécaniques

Les effets mécaniques liés au courant de foudre dépendent de l'amplitude et de la durée du courant, ainsi que des caractéristiques élastiques de la structure mécanique affectée. Les effets mécaniques dépendent aussi des forces de friction agissant entre les parties éventuellement en contact avec les SPF.

D.4.2.1 Interaction magnétique

Des forces magnétiques apparaissent entre deux conducteurs parcourus par un courant ou, lorsqu'il n'existe qu'un seul conducteur, à l'endroit où le courant forme un coin ou une boucle.

Lorsqu'un courant parcourt un circuit, l'amplitude des forces électrodynamiques dans les divers points du circuit est fonction de l'amplitude du courant de foudre et de la configuration géométrique du circuit. L'effet mécanique de ces forces est fonction, non seulement de leur amplitude, mais aussi de la forme générale du courant, de sa durée et de la configuration géométrique de l'installation.

D.4.2.1.1 Forces électrodynamiques

Les forces électrodynamiques produites par le courant, i , s'écoulant dans un conducteur présentant des branches parallèles longues de longueur l et distantes de d (boucle longue et étroite), voir Figure D.1, peuvent être calculées approximativement par l'équation suivante:

$$F(t) = \frac{\mu_0}{2\pi} \times i^2(t) \times \frac{l}{d} = 2 \times 10^{-7} \times i^2(t) \times \frac{l}{d} \quad (\text{D.10})$$

où

$F(t)$ est la force électrodynamique (N);

i est le courant (A);

μ_0 est la perméabilité magnétique dans l'espace libre (vide) ($4\pi \times 10^{-7}$ H/m);

l est la longueur des conducteurs (m);

d est la distance entre les branches parallèles du conducteur (m).

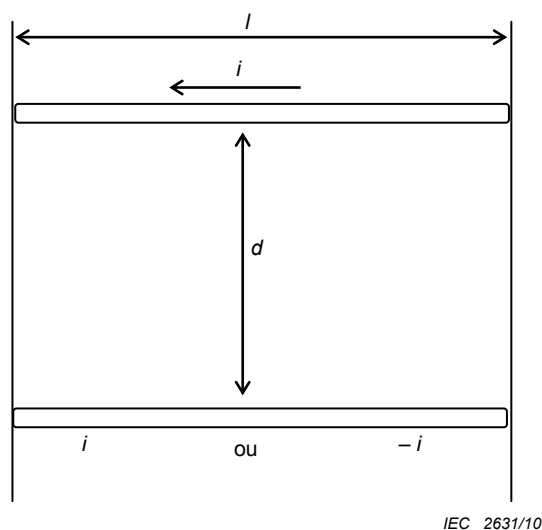


Figure D.1 – Disposition générale de deux conducteurs pour le calcul des forces électrodynamiques

Dans un système de protection contre la foudre, un exemple est donné par une disposition en coin de conducteurs, formant un angle de 90°, avec une fixation à proximité du coin comme le montre la Figure D.2. Le diagramme des contraintes pour cette configuration est présenté à la Figure D.3. La force axiale sur le conducteur horizontal tend à arracher le conducteur de sa fixation. La valeur numérique de la force le long d'un conducteur horizontal, pour une valeur crête de courant de 100 kA et une longueur verticale du conducteur de 0,5 m est indiquée à la Figure D.4.

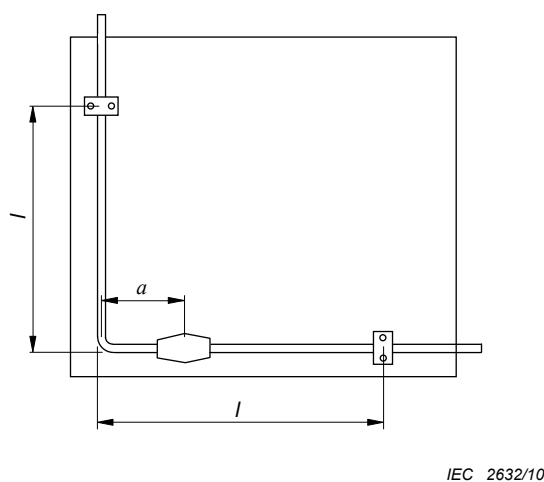
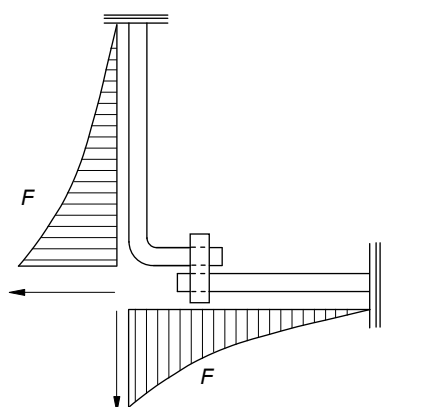
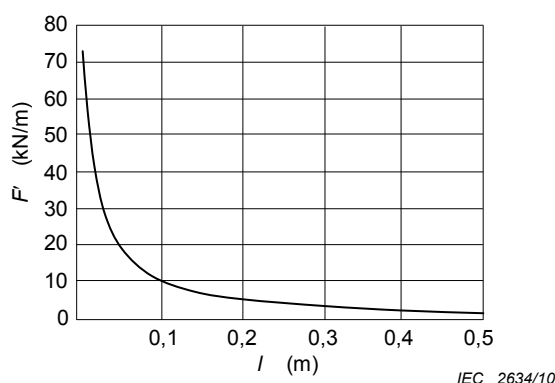


Figure D.2 – Disposition typique des conducteurs d'une installation de protection contre la foudre



IEC 2633/10

Figure D.3 – Diagramme des contraintes F pour la configuration de la Figure D.2



IEC 2634/10

NOTE La valeur crête du courant est 100 kA et la longueur du conducteur vertical est 0,5 m.

Figure D.4 – Force par unité de longueur F' le long du conducteur horizontal de la Figure D.2

D.4.2.1.2 Effets des forces électrodynamiques

En termes d'amplitude des forces appliquées, la valeur instantanée de la force électrodynamique $F(t)$ est proportionnelle au carré du courant instantané $i(t)^2$. En termes de développement de la contrainte dans la structure mécanique du système de protection contre la foudre, exprimé par le produit de la déformation élastique $\delta(t)$ et de la constante d'élasticité k de la structure du SPF, il convient de considérer deux effets. La fréquence naturelle mécanique (liée à la tenue élastique de la structure du SPF) et la déformation permanente de la structure liée à la tenue plastique, sont à prendre en compte. De plus, dans de nombreux cas, l'effet des forces de friction dans la structure a aussi une importance significative.

L'amplitude des vibrations de la structure élastique du SPF, dues aux forces électrodynamiques développées par le courant de foudre, peut être calculée au moyen d'équations différentielles du deuxième degré; le facteur essentiel étant le rapport entre la durée du courant de choc et la période de l'oscillation mécanique naturelle de la structure du SPF. La condition typique rencontrée pour les SPF est une période naturelle d'oscillation de la structure beaucoup plus élevée que celle de la force appliquée (durée du choc de courant de foudre). Dans ce cas, la contrainte mécanique maximale apparaît après l'arrêt du courant de choc et présente une valeur crête restant inférieure à la contrainte appliquée, et peut ainsi être négligée dans la plupart des cas.

Les déformations plastiques apparaissent lorsque la contrainte en tension est supérieure à la contrainte élastique du matériau. Si le matériau de la structure du SPF est souple, comme

l'aluminium ou le cuivre annelé, les forces électrodynamiques peuvent déformer les conducteurs en coin ou en boucle. Il est recommandé que les conducteurs des SPF soient toutefois conçus pour résister à ces forces et présenter par essence un comportement élastique.

La contrainte totale mécanique appliquée à la structure du SPF dépend de l'intégrale de temps des forces appliquées, et par suite de l'énergie spécifique associée au courant de choc. Elle dépend également de la forme du choc et de sa durée (comparée à la période d'oscillation naturelle de la structure). Tous ces paramètres ont une influence considérable et doivent donc être pris en compte lors des essais.

D.4.2.2 Dommages dus à l'onde de choc acoustique

Lorsqu'un courant de foudre s'écoule à travers un arc, une onde de choc est produite. La sévérité du choc est fonction de la valeur crête du courant et de son taux de montée.

En général, les dommages dus à l'onde de choc acoustique sont insignifiants sur les parties métalliques du SPF, mais l'onde de choc acoustique peut endommager les composants environnants.

D.4.3 Effets combinés

En pratique, les effets thermiques et mécaniques apparaissent simultanément. Si l'échauffement des matériaux des composants (tiges, fixations, etc.) est suffisant pour ramollir les matériaux, des dommages plus importants que ceux dus aux seules forces peuvent apparaître. Dans des cas extrêmes, le conducteur peut fondre et exploser en entraînant des dommages considérables pour la structure environnante. Si la section du matériau est suffisante pour supporter de manière sûre ces phénomènes, seule l'intégrité mécanique est vérifiée.

D.4.4 Étincelles

En général, les étincelles sont importantes seulement dans des environnements inflammables ou en présence de combustibles. Dans la plupart des cas pratiques, l'étincelage n'est pas important pour les composants des systèmes de protection contre la foudre.

Deux types d'étincelles peuvent apparaître, par exemple, étincelle thermique ou étincelle de tension. Des étincelles thermiques surviennent lorsqu'un très fort courant est contraint de traverser un joint entre deux matériaux conducteurs. La plupart des étincelles thermiques apparaissent sur les bords, à l'intérieur du joint si la pression de l'interface est trop faible: la cause primaire en est une densité de courant élevée et une pression de surface inadaptée. L'intensité des étincelles thermiques est fonction de l'énergie spécifique et, pour cette raison, la phase critique du coup de foudre est le premier coup en retour. Les étincelles en tension apparaissent lorsque le courant est obligé de prendre des chemins de contournement, par exemple, dans un joint, et si la tension induite dans une telle boucle dépasse la tension de claquage entre les parties métalliques. La tension induite est proportionnelle à l'inductance propre multipliée par la raideur du courant de foudre. La composante la plus critique de la foudre pour les étincelles en tension est donc le coup consécutif négatif.

D.5 Composants des SPF, problèmes afférents et paramètres d'essai

D.5.1 Généralités

Les SPF sont constitués de composants en divers matériaux, chacun ayant une fonction spécifique dans le système. La nature des composants et les contraintes spécifiques auxquelles ils sont soumis nécessitent une étude particulière lors de l'élaboration d'essais en laboratoire pour vérifier leurs performances.

D.5.2 Dispositif de capture

Les effets des contraintes sur les dispositifs de capture dus à la foudre sont liés aux effets magnétiques et thermiques (comme examiné en D.5.3 ci-après en considérant qu'un fort pourcentage du courant de foudre s'écoulera dans le dispositif concerné), et parfois aux effets d'érosion dus à un arc, particulièrement dans des composants naturels de systèmes de protection contre la foudre comme des couvertures fines métalliques de toitures ou des revêtements de paroi (où des percements et des élévations excessives de température de surface peuvent apparaître) et aux dispositifs suspendus.

Pour les effets d'érosion dus à un arc, il convient de prendre en compte deux paramètres d'essai essentiels: la charge du courant de longue durée et sa durée.

La charge définit l'entrée d'énergie à la racine de l'arc. En particulier, l'apport du premier coup peut être négligé si des coups de longue durée semblent plus sévères pour ce composant.

La durée du courant présente un rôle important dans le phénomène de transfert de chaleur dans le matériau. Il convient que la durée des courants lors des essais soit comparable à celle des coups de longue durée (0,5 s à 1 s).

D.5.3 Conducteurs de descente

Les effets exercés sur les conducteurs de descente par la foudre peuvent être divisés en deux grandes catégories:

- les contraintes thermiques dues à l'échauffement résistif;
- les contraintes mécaniques liées à l'interaction magnétique dans les cas où le courant de foudre se partage dans des conducteurs proches les uns des autres ou lorsque le courant change de direction (courbes ou connexions entre conducteurs présentant un angle donné).

Dans la plupart des cas, ces deux effets agissent indépendamment l'un de l'autre et des essais distincts en laboratoire peuvent être effectués pour vérifier chacun de ces effets à partir de l'autre. Cette approche peut être adoptée dans les cas où la chaleur dissipée par le passage du courant de foudre ne modifie pas de manière substantielle les caractéristiques mécaniques.

D.5.3.1 Echauffement résistif

Les calculs et les mesures de l'échauffement de conducteurs de diverses sections et en divers matériaux dû au passage du courant de foudre circulant le long des conducteurs ont été publiés par plusieurs auteurs. Les principaux résultats sont indiqués en D.4.1.1 sous forme de graphiques et de formules. Généralement, aucun essai de laboratoire n'est donc nécessaire pour vérifier le comportement d'un conducteur soumis à une élévation de température.

Pour tous les cas où un essai de laboratoire est requis, les considérations suivantes doivent être prises en compte:

- les principaux paramètres d'essai à prendre en compte dans ce cas sont l'énergie spécifique et la durée du courant de choc;
- l'énergie spécifique définit l'élévation de température due à l'échauffement Joule causé par le passage du courant de foudre. Les valeurs numériques à prendre en compte sont celles relatives au premier choc. Des données conservatoires sont obtenues en prenant en compte les coups positifs;
- la durée du courant de choc a une influence décisive sur le processus d'échange de chaleur en fonction de l'environnement ambiant du conducteur considéré. Dans la plupart des cas, la durée du courant de choc est si faible que le phénomène d'échauffement peut être considéré comme étant adiabatique.

D.5.3.2 Effets mécaniques

Comme déjà examiné en D.4.2.1, les interactions mécaniques se développent entre des conducteurs parcourus par le courant de foudre: la force est proportionnelle au produit des courants s'écoulant dans les conducteurs (ou au carré du courant si une simple courbure est considérée) et est proportionnelle à l'inverse de la distance entre les conducteurs.

La situation typique pour laquelle un effet visible peut exister est celle où un conducteur forme une boucle ou un coin à angle droit. Quand un tel conducteur écoule le courant de foudre, il est soumis à une force mécanique qui tend à élargir la boucle et à redresser le coin et cela entraîne une courbure inverse. La valeur de cette force est proportionnelle au carré du courant. Toutefois, il convient qu'une distinction nette soit faite entre les forces électrodynamiques proportionnelles au carré du courant et aux contraintes correspondantes fonction des caractéristiques élastiques de la structure mécanique du SPF. Pour des structures de SPF présentant des fréquences naturelles faibles, la contrainte dans la structure sera nettement inférieure à la force électrodynamique. Dans ce cas, aucun essai de laboratoire n'est généralement nécessaire pour vérifier la tenue d'une courbure ou de coin à angle droit d'un conducteur sur le plan mécanique, si les sections requises dans la présente norme sont satisfaites.

Si un essai de laboratoire est requis (particulièrement pour les matériaux souples), il convient de prendre en compte les considérations suivantes. Trois paramètres du premier coup en retour doivent être pris en compte: la durée, l'énergie spécifique du courant de choc et, dans le cas de systèmes rigides, l'amplitude du courant.

La durée du courant de choc, comparée à la période naturelle d'oscillation mécanique de la structure du SPF, définit le type de réponse mécanique du système en termes de déplacement:

- Si la durée du choc est beaucoup plus petite que la période naturelle d'oscillation mécanique de la structure du SPF (cas normal pour des structures de SPF subissant des contraintes de coup de foudre), la masse et l'élasticité du système l'empêchent de se déplacer de manière perceptible et la contrainte mécanique est essentiellement liée à l'énergie spécifique du courant de choc. La valeur crête du courant de choc a un effet limité.
- Si la durée du choc est comparable ou plus élevée que la période d'oscillation mécanique naturelle de la structure, le déplacement du système est plus sensible à la forme d'onde de la contrainte appliquée. Dans ce cas, la valeur crête du courant de choc et son énergie spécifique doivent être reproduites lors des essais.

L'énergie spécifique du courant de choc définit la contrainte entraînant les déformations élastiques et plastiques de la structure du SPF. Les valeurs numériques à prendre en compte sont celles relatives au premier choc.

Les valeurs maximales du courant de choc définissent la longueur du déplacement maximal de la structure du système de protection contre la foudre, dans le cas de systèmes rigides avec des fréquences d'oscillation naturelle élevées. Les valeurs numériques à prendre en compte sont celles relatives au premier choc.

D.5.3.3 Composant de connexions

Les composants de connexion entre les conducteurs adjacents d'un SPF représentent des points possibles de faiblesse du système de protection, tant au point de vue mécanique qu'électrique lors de très grandes contraintes.

Si un connecteur est placé de sorte que le conducteur suit un angle droit, les effets principaux des contraintes sont liés aux forces mécaniques qui tendent à raidir la fixation du conducteur et à surpasser les forces de friction résistantes entre le composant de connexion et les conducteurs, ce qui entraîne la déconnexion. Le développement d'arcs aux points de contact des différentes parties est possible. De plus, l'échauffement dû à la concentration de courant sur de petites surfaces a un effet non négligeable.

Les essais en laboratoire ont montré qu'il est difficile de séparer les effets les uns des autres car une synergie complexe s'établit. La contrainte mécanique est affectée par une fonte locale de la zone de contact. Des déplacements relatifs entre des parties du connecteur entraînent le développement d'arcs et consécutivement, une génération intense de chaleur.

En l'absence de modèle valide, il convient que les essais en laboratoire soient menés de manière à simuler du mieux possible les paramètres appropriés du courant de foudre dans le cas le plus défavorable, c'est-à-dire que les paramètres du courant de foudre doivent être appliqués au moyen d'un seul essai électrique.

Il convient de prendre en compte trois paramètres dans ce cas: la valeur crête, l'énergie spécifique et la durée du courant de choc.

Les valeurs maximales du courant de choc déterminent la force maximale, ou, pendant ou après le dépassement de la force de friction par la force de traction électrodynamique, elles déterminent la longueur du déplacement maximal de la structure du SPF. Les valeurs numériques à prendre en compte sont celles relatives au premier choc. Des données conservatoires sont obtenues en prenant en compte les coups positifs.

L'énergie spécifique du courant de choc détermine l'échauffement sur les surfaces de contact lorsque le courant se concentre sur de petites surfaces. Les valeurs numériques à prendre en compte sont celles relatives au premier choc. Des données conservatoires sont obtenues en prenant en compte les coups positifs.

La durée du courant de choc détermine le déplacement maximal de la structure, après dépassement des forces de friction et a un rôle important dans le phénomène de transfert de chaleur dans le matériau.

D.5.3.4 Prises de terre

Les vrais problèmes concernant la prise de terre sont liés à la corrosion chimique et aux dommages mécaniques dus aux forces autres qu'électrodynamiques. En pratique, les érosions des extrémités des composants à la racine de l'arc dans le sol présentent une importance mineure. Il faut considérer toutefois, contrairement aux dispositifs de capture, qu'un système de protection typique comporte plusieurs prises de terre. Ainsi, le courant de foudre est partagé entre plusieurs électrodes de mise à la terre et entraîne moins d'effets à la racine de l'arc. Il convient de prendre en compte deux paramètres d'essai principaux dans ce cas:

- la charge définit l'entrée d'énergie à la racine de l'arc. En particulier, l'apport du premier coup peut être négligé si des coups de longue durée semblent plus sévères pour ce composant;
- la durée du choc joue un rôle important dans le phénomène de transfert de chaleur vers le matériau. Il convient que la durée des chocs lors des essais soit comparable à celle des coups de longue durée (0,5 s à 1 s).

D.6 Parafoudres

D.6.1 Généralités

Les effets des contraintes dues à la foudre sur les parafoudres sont fonction du type de parafoudre avec la référence particulière qu'ils comportent ou non des éclateurs.

D.6.2 Parafoudres avec éclateurs

Les contraintes exercées par la foudre sur des éclateurs peuvent être classées en deux grandes catégories:

- l'érosion des électrodes des éclateurs par échauffement, fusion ou vaporisation du matériau;

- les contraintes mécaniques dues à l'onde de choc de décharge.

Il est très difficile de séparer ces effets car ils sont tous deux liés aux principaux paramètres du courant de foudre par des fonctions complexes.

Pour les éclateurs, les essais en laboratoire doivent être effectués de manière que les paramètres mis en jeu soient aussi proches que possible de ceux du courant de foudre à l'instant critique, c'est-à-dire que tous les paramètres du courant de foudre doivent être appliqué au moyen d'une seule contrainte électrique.

Cinq paramètres doivent être pris en compte dans ce cas: la valeur crête, la charge du courant de choc, sa durée, son énergie spécifique et son taux de montée.

La valeur crête du courant détermine la sévérité de l'onde de choc. Les valeurs numériques à prendre en compte sont celles relatives au premier choc. Des données conservatoires sont obtenues en prenant en compte les coups positifs.

La charge détermine l'entrée d'énergie dans l'arc. Cette énergie chauffe, fusionne et enfin vaporise en partie le matériau de l'électrode au point de contact de l'arc. Les valeurs numériques à prendre en compte sont celles relatives à l'éclair complet. Toutefois, la charge du courant de longue durée peut être négligée dans de nombreux cas selon le schéma des liaisons à la terre (TT, TN ou IT).

La durée du courant de choc présente un rôle important dans le phénomène de transfert de chaleur dans le matériau de l'électrode et la propagation consécutive du front de fusion.

L'énergie spécifique du courant de choc détermine la contrainte entraînant la compression auto-magnétique de l'arc et la physique des jets de plasma de l'électrode générés à l'interface de la surface de l'électrode et de l'arc, pouvant vaporiser une partie significative du matériau fondu. Les valeurs numériques à prendre en compte sont celles relatives au premier choc. Des données conservatoires sont obtenues en prenant en compte les coups positifs.

NOTE Pour les éclateurs utilisés sur les réseaux de puissance, la fréquence éventuelle du courant de suite constitue une contrainte importante qu'il faut prendre en compte.

D.6.3 Parafoudres avec des varistances à oxyde métallique

Les contraintes exercées sur de tels parafoudres par la foudre peuvent être divisées en deux catégories principales: les surcharges et les claquages. Chaque catégorie est caractérisée par des modes de défaillances générées par divers phénomènes et définie par différents paramètres. La défaillance d'un SPD à oxyde métallique est liée à sa caractéristique la plus faible et ainsi, il est improbable qu'une synergie entre plusieurs contraintes fatales puisse se produire. C'est pourquoi il est admis d'effectuer des essais distincts pour vérifier la tenue pour tout mode de défaillance.

Les surcharges sont dues à la quantité d'énergie absorbée dépassant les capacités du dispositif. Cette énergie en excès peut être liée à la contrainte de foudre elle-même. Toutefois il est considéré que pour les parafoudres connectés sur les réseaux d'alimentation, le courant de suite injecté dans le dispositif par l'alimentation immédiatement après l'arrêt de l'écoulement du courant de foudre peut jouer un rôle important dans la destruction des parafoudres. Enfin, un parafoudre peut être définitivement endommagé par une tension appliquée liée à un coefficient de température négatif des caractéristiques volt/ampère des résistances. Pour la simulation de la surcharge de varistances à oxyde métallique, un paramètre essentiel est à prendre en compte: la charge.

La charge détermine l'entrée d'énergie dans le bloc de résistance à oxyde métallique, en admettant comme constante la tension résiduelle de cette varistance. Les valeurs numériques à prendre en compte sont celles relatives au coup de foudre.

Le claquage et les craquelures sont dus à l'amplitude des courants de choc dépassant les capacités des résistances. Le mode de défaillance est généralement mis en évidence par un claquage le long du collier, pénétrant parfois dans le bloc entraînant une craquelure ou un trou perpendiculaire au collier. La défaillance est principalement liée à un défaut diélectrique du collier du bloc de résistances.

Il convient de prendre en compte deux paramètres principaux pour la simulation du phénomène de foudre: la valeur maximale et la durée du courant de choc.

La valeur maximale du courant de choc définit, par le niveau de tension résiduelle correspondant, que la tenue diélectrique maximale du collier est dépassée. Les valeurs numériques à prendre en compte sont celles relatives au premier choc. Des données conservatoires sont obtenues en prenant en compte les coups positifs.

La durée des courants de choc détermine la durée de l'application de la contrainte diélectrique sur le collier de la résistance.

D.7 Synthèse des paramètres d'essais à retenir lors des essais des composants des SPF

Le Tableau D.1 synthétise les aspects les plus critiques de chaque composant des SPF lors de son fonctionnement et les paramètres du courant de foudre à reproduire en laboratoire.

Les valeurs numériques du Tableau D.1 sont relatives aux paramètres de foudre importants au point d'impact.

Il est recommandé de calculer les valeurs d'essais en considérant le partage du courant qui peut être exprimé en fonction du facteur de partage du courant, comme expliqué à l'Article D.3.

Les valeurs numériques des paramètres à utiliser lors des essais peuvent donc être calculées selon les données du Tableau D.1, en appliquant les facteurs de réduction liés au partage du courant, comme exprimé par la formule de l'Article D.3.

Annexe E (informative)

Chocs dus à la foudre en divers points de l'installation

E.1 Vue d'ensemble

Pour le dimensionnement des conducteurs, des parafoudres et des matériels, il convient que la menace due aux chocs aux points d'installation de ces composants soit déterminée. Les chocs peuvent être dus à des courants partiels de foudre ou à des effets d'induction dans des boucles de l'installation. Il faut que la menace due à ces chocs soit inférieure à la tenue aux chocs des composants utilisés définie par des essais appropriés.

E.2 Chocs dus à des impacts sur la structure (source de dommage S1)

E.2.1 Ecoulement dans les éléments conducteurs extérieurs et les lignes connectées à la structure

Lorsque le courant de foudre s'écoule à la terre, il se divise entre les diverses prises de terre, les éléments conducteurs extérieurs et les lignes pénétrant dans la structure directement ou via des parafoudres.

Si
$$I_F = k_e \times I \tag{E.1}$$

est la partie du courant de foudre relative à chaque élément conducteur ou ligne extérieurs, dans ce cas le facteur de partage du courant k_e dépend:

- du nombre de chemins parallèles;
- de leur résistance de terre conventionnelle pour les parties enterrées, ainsi que pour les parties aériennes ou mixtes mises à la terre;
- de la résistance de terre conventionnelle des prises de terre.

- pour les installations enterrées
$$k_e = \frac{Z}{Z_1 + Z \times (n_1 + n_2 \times \frac{Z_1}{Z_2})} \tag{E.2}$$

- pour les installations aériennes
$$k_e = \frac{Z}{Z_2 + Z \times (n_2 + n_1 \times \frac{Z_2}{Z_1})} \tag{E.3}$$

où

Z est la résistance de terre conventionnelle du réseau des prises de terre;

Z_1 est la résistance de terre conventionnelle des éléments conducteurs externes ou des lignes souterraines (Tableau E.1);

Z_2 est la résistance conventionnelle de terre des éléments conducteurs aériens. Si la résistance de mise à la terre d'un point est inconnue, la valeur de Z_1 présentée dans le Tableau E.1 peut être utilisée (si la résistivité du sol est pertinente au point de mise à la terre).

NOTE 1 Cette valeur prise dans les formules ci-dessus est la même pour chaque mise à la terre. Si cela n'est pas le cas, des équations plus complexes peuvent être utilisées.

n_1 est le nombre total des éléments conducteurs extérieurs ou lignes extérieures enterrées;

n_2 est le nombre total des éléments conducteurs extérieurs ou lignes extérieures aérien(ne)s;

I est le courant de foudre correspondant au niveau de protection contre la foudre (NPF) choisi.

En supposant en première approximation que la moitié du courant de foudre s'écoule dans la prise de terre et que $Z_2 = Z_1$, la valeur de k_e peut être évaluée pour un élément conducteur extérieur ou une ligne externe par:

$$k_e = 0,5 / (n_1 + n_2) \quad (\text{E.4})$$

Si les lignes souterraines (par exemple, les réseaux de puissance et de communication) ne sont ni écrantées ni disposées dans des conduits métalliques, chaque conducteur n' écoule une partie égale du courant de foudre

$$k'_e = k_e / n' \quad (\text{E.5})$$

n' étant le nombre total de conducteurs.

Pour des réseaux écrantés reliés à la pénétration, les valeurs du facteur de partage du courant k'_e pour chaque conducteur n' d'un service écranté sont données par:

$$k'_e = k_e \times R_S / (n' \times R_S + R_C) \quad (\text{E.6})$$

où

R_S est la résistance ohmique par unité de longueur de l'écran;

R_C est la résistance ohmique par unité de longueur d'un conducteur interne.

NOTE 2 Cette formule peut sous-estimer le rôle de l'écran dans l'écoulement des courants de foudre en raison de l'inductance mutuelle entre le centre et l'écran.

Tableau E.1 – Valeurs de la résistance de terre conventionnelle Z et Z_1 suivant la résistivité du sol

ρ Ωm	Z_1^a Ω	Résistance de terre conventionnelle selon le type de SPF ^b		
		Z Ω		
		I	II	III – IV
≤100	8	4	4	4
200	11	6	6	6
500	16	10	10	10
1 000	22	10	15	20
2 000	28	10	15	40
3 000	35	10	15	60

NOTE Les valeurs données dans ce tableau se réfèrent à la résistance de terre conventionnelle d'un conducteur enterré dans des conditions de choc (10/350 μs).

^a Valeurs de référence pour des éléments externes d'une longueur supérieure à 100 m. Pour des éléments externes dont la longueur est inférieure à 100 m dans un sol à haute résistivité (> 500 Ωm) les valeurs de Z_1 peuvent être doublées.

^b Système de mise à la terre conforme à 5.4 de la CEI 62305-3:2010.

E.2.2 Facteurs influençant le partage du courant de foudre dans le réseau de puissance

Pour des calculs détaillés, plusieurs facteurs peuvent influencer l'amplitude et la forme de tels chocs:

- la longueur du câble peut influencer le partage du courant et les caractéristiques de la forme de l'onde en raison du rapport L/R ;
- les diverses impédances des conducteurs de neutre et des phases peuvent influencer le partage du courant parmi les lignes des conducteurs;

NOTE 1 Par exemple, si le conducteur de neutre (N) est mis à la terre en de multiples points, l'impédance plus faible de N par rapport à celle de L₁, L₂, et L₃ peut conduire à un passage de 50 % du courant dans le conducteur neutre N, les autres 50 % se partageant entre les trois conducteurs de phase (17 % dans chacun). Si N, L₁, L₂, and L₃ ont la même impédance, chaque conducteur transporte environ 25 % du courant.

- les impédances du transformateur peuvent influencer le partage du courant (cet effet est négligeable si le transformateur est protégé par un parafoudre shuntant cette impédance);
- la relation entre les résistances conventionnelles du transformateur et celle de l'utilisateur peut influencer le partage du courant (plus l'impédance du transformateur est faible, plus le courant de choc dans l'installation à basse tension est élevé);
- les utilisateurs en parallèle entraînent une réduction de l'impédance basse tension pouvant ainsi augmenter le courant partiel de foudre s'écoulant dans le réseau.

NOTE 2 Se référer à l'Annexe D de la CEI 62305-4:2010 pour davantage d'informations.

E.3 Chocs dus à des impacts sur les lignes connectées à la structure

E.3.1 Chocs dus à des impacts sur les lignes (source de dommage S3)

Pour les impacts de foudre directs sur les lignes connectées à la structure, il convient de prendre en compte la répartition du courant de foudre dans les deux directions de la ligne et la rupture de l'isolation.

La sélection de la valeur I_{imp} peut se fonder sur les valeurs données dans les Tableaux E.2 et E.3 pour les systèmes basse tension et dans le Tableau E.3 pour les réseaux de communication où les valeurs préférentielles de I_{imp} sont associées au niveau de protection contre la foudre (NPF).

Tableau E.2 – Surintensités susceptibles d'apparaître lors d'éclairs sur des systèmes basse tension

NPF (classe)	Systèmes basse tension			
	Eclairs directs et indirects sur le service		Eclair proche de la structure ^a	Eclair sur la structure ^a
	Source de dommage S3 (éclair direct) ^b	Source de dommage S4 (éclair indirect) ^c	Source de dommage S2 (courant induit)	Source de dommage S1 (courant induit)
	Forme du courant: 10/350 µs kA	Forme du courant: 8/20 µs kA	Forme du courant: ^d 8/20 µs kA	Forme du courant: ^d 8/20 µs kA
III - IV	5	2,5	0,1	5
II	7,5	3,75	0,15	7,5
I	10	5	0,2	10

NOTE Toutes les valeurs se réfèrent à chaque conducteur linéaire.

^a L'acheminement dans les conducteurs en boucle et leur distance par rapport au courant induit affecte les valeurs des surintensités prévues. Les valeurs du Tableau E.2 font référence aux conducteurs en boucle court-circuités et non protégés avec différents acheminements dans les grands bâtiments (zone de boucle de l'ordre de 50 m², largeur = 5 m), 1 m de distance par rapport à la paroi de la structure, dans une structure non protégée ou un bâtiment avec SPF ($k_C = 0,5$). Pour des caractéristiques de boucle et de structure différentes, il convient de multiplier les valeurs par les facteurs K_{S1} , K_{S2} , K_{S3} (voir l'Article B.4 de CEI 62305-2:2010).

^b Les valeurs pertinentes pour le cas d'un impact sur le dernier pôle de la ligne proche du consommateur et de la ligne multiconducteur (trois phases + neutre).

^c Valeurs pour les lignes aériennes. Pour les lignes enterrées, les valeurs peuvent être divisées par deux.

^d L'inductance et la résistance de boucle affectent la forme du courant induit. Si la résistance de la boucle est négligeable, il convient de supposer la forme 10/350 µs. Le cas se présente lorsqu'un parafoudre à commutation est installé sur le circuit induit.

Tableau E.3 – Surintensités susceptibles d'apparaître lors d'éclairs sur des réseaux de communication

NPF (classe)	Réseaux de communication ^a			
	Eclairs directs et indirects sur le service		Eclair frappant le sol à proximité de la structure ^b	Eclair sur la structure ^b
	Source de dommage S3 (éclair direct) ^c Forme du courant: 10/350 μ s kA	Source de dommage S4 (éclair indirect) ^d Forme du courant: 8/20 μ s kA	Source de dommage S2 (courant induit) Forme du courant 8/20 μ s kA	Source de dommage S1 (courant induit) Forme du courant: 8/20 μ s kA
III - IV	1	0,035	0,1	5
II	1,5	0,085	0,15	7,5
I	2	0,160	0,2	10

NOTE Toutes les valeurs se réfèrent à chaque conducteur linéaire.

^a Se référer à ITU-T Recommendation K.67 ^[6] pour plus d'informations.

^b L'acheminement dans les conducteurs en boucle et leur distance par rapport au courant induit affecte les valeurs des surintensités prévues. Les valeurs du Tableau E.3 font référence aux conducteurs en boucle court-circuités et non protégés avec différents acheminements dans les grands bâtiments (zone de boucle de l'ordre de 50 m², largeur = 5 m), 1 m de distance par rapport à la paroi de la structure, dans une structure non protégée ou un bâtiment avec SPF ($k_C = 0,5$). Pour des caractéristiques de boucle et de structure différentes, il convient de multiplier les valeurs par les facteurs K_{S1} , K_{S2} , K_{S3} (voir l'Article B.4 de CEI 62305-2:2010).

^c Valeurs pour les lignes non protégées avec de nombreuses paires. Pour un câble de dérivation non protégé, les valeurs peuvent être cinq fois plus élevées.

^d Valeurs pour les lignes aériennes non protégées. Pour les lignes enterrées, les valeurs peuvent être divisées par deux.

Pour les réseaux écrantés, les valeurs des surintensités données dans le Tableau E.2 peuvent être réduites d'un facteur 0,5.

NOTE Il est supposé que la résistance de l'écran est à peu près égale à celle des conducteurs de la ligne en parallèle.

E.3.2 Chocs dus à des éclairs à proximité des lignes (source de dommage S4)

Les chocs dus à des éclairs à proximité d'une ligne présentent une énergie beaucoup plus faible que celle résultant d'un impact direct (source de dommage S3).

Les surintensités prévues associées aux niveaux de protection contre la foudre spécifiés (NPF) sont données dans les Tableaux E.2 et E.3.

Pour les réseaux écrantés, les valeurs des surintensités données dans les Tableau E.2 et E.3 peuvent être réduites d'un facteur de 0,5.

E.4 Chocs dus à des effets d'induction (source de dommage S1 ou S2)

E.4.1 Généralités

Les chocs dus à des effets d'induction de champs magnétiques générés par des impacts proches (source S2) ou par l'écoulement de courant de foudre dans le SPF externe ou encore dans l'écran spatial de la ZPF 1 (source S1) présentent une forme d'onde typique 8/20 μ s. De tels chocs doivent être considérés à proximité ou sur les bornes des appareils à l'intérieur de la ZPF 1 et à la frontière de la ZPF 1/2.

E.4.2 Chocs dans une ZPF 1 sans écran

A l'intérieur d'une ZPF 1 sans écran (par exemple, protégée par un SPF extérieur conformément à la CEI 62305-3 avec des mailles de taille supérieure à 5 m), des chocs relativement élevés peuvent se produire en raison des effets d'induction d'un champ magnétique non amorti.

Les surintensités prévues associées aux niveaux de protection contre la foudre spécifiés (NPF) sont données dans les Tableaux E.2 et E.3.

E.4.3 Chocs dans des ZPF avec écran

A l'intérieur de ZPF présentant un écran spatial efficace (nécessitant des mailles de taille inférieure à 5 m conformément à la CEI 62305-4:2011, Annexe A), l'apparition de chocs dus à des champs magnétiques est fortement réduite. Dans de tels cas, les chocs sont très inférieurs à ceux indiqués en E.4.2.

Dans ZPF 1 les effets inductifs sont faibles en raison de l'effet d'amortissement de l'écran.

Dans ZPF 2 les chocs sont considérablement réduits en raison des effets en cascade des écrans spatiaux de ZPF1 et de ZPF2.

E.5 Informations générales sur les parafoudres

L'utilisation de parafoudres dépend de leur tenue aux chocs, ils sont classifiés dans la CEI 61643-1^[7] pour les réseaux de puissance et dans la CEI 61643-21^[8] pour les réseaux de communication.

Le choix des parafoudres à utiliser selon leur installation est le suivant:

- a) A la pénétration du réseau dans la structure (frontière de ZPF 1, par exemple, sur le tableau principal de distribution) :
 - des parafoudres testés avec I_{imp} (forme d'onde typique 10/350), par exemple, parafoudre soumis à l'essai conformément à la Classe I;
 - des parafoudres soumis à l'essai avec I_n (forme d'onde typique 8/20), par exemple, parafoudre soumis à l'essai conformément à la Classe II.
- b) A proximité des appareils à protéger (frontière de ZPF 2 et ZPF supérieure, par exemple, sur un tableau secondaire SB ou sur des prises de courant SA):
 - parafoudres soumis à l'essai avec I_{imp} (forme d'onde typique 10/350), par exemple, parafoudre soumis à l'essai conformément à la Classe I pour les parafoudres de puissance);
 - des parafoudres soumis à l'essai avec I_n (forme d'onde typique 8/20, par exemple, parafoudre soumis à l'essai conformément à la Classe II);
 - parafoudres testés en onde combinée (forme de courant typique de courant 8/20), par exemple, parafoudre testé conformément à la Classe III.

Bibliographie

- [1] CEI 60664-1:2007, *Coordination de l'isolement des matériels dans les systèmes (réseaux) à basse tension – Partie 1: Principes, exigences et essais*
- [2] CEI 61000-4-5, *Compatibilité électromagnétique (CEM) – Partie 4-5: Techniques d'essai et de mesure – Essai d'immunité aux ondes de choc*
- [3] BERGER K., ANDERSON R.B., KRÖNINGER H., *Parameters of lightning flashes*. CIGRE Electra No 41 (1975), p. 23 – 37
- [4] ANDERSON R.B., ERIKSSON A.J., *Lightning parameters for engineering application*. CIGRE Electra No 69 (1980), p. 65 – 102
- [5] IEEE working group report, *Estimating lightning performance of transmission lines- Analytical models*. IEEE Transactions on Power Delivery, Volume 8, n. 3, July 1993
- [6] ITU-T Recommendation K.67, *Expected surges on telecommunications and signalling networks due to lightning*
- [7] CEI 61643-1, *Parafoudres basse tension – Partie 1: Parafoudres connectés aux réseaux de distribution basse tension – Exigences et essai*
- [8] CEI 61643-21 *Parafoudres basse tension – Partie 21: Parafoudres connectés aux réseaux de signaux et de télécommunications – Prescriptions de fonctionnement et méthodes d'essais*

.....

INTERNATIONAL
ELECTROTECHNICAL
COMMISSION

3, rue de Varembé
PO Box 131
CH-1211 Geneva 20
Switzerland

Tel: + 41 22 919 02 11
Fax: + 41 22 919 03 00
info@iec.ch
www.iec.ch

www.iec.ch